



BULLARD
BOLLARDS



POWER BOLLARD

sales@gordonbullard.com

www.bullardbollards.com

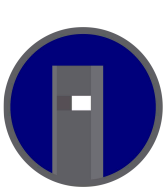
1-877-964-4646

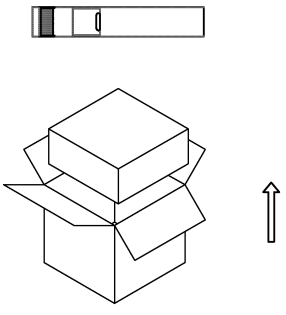

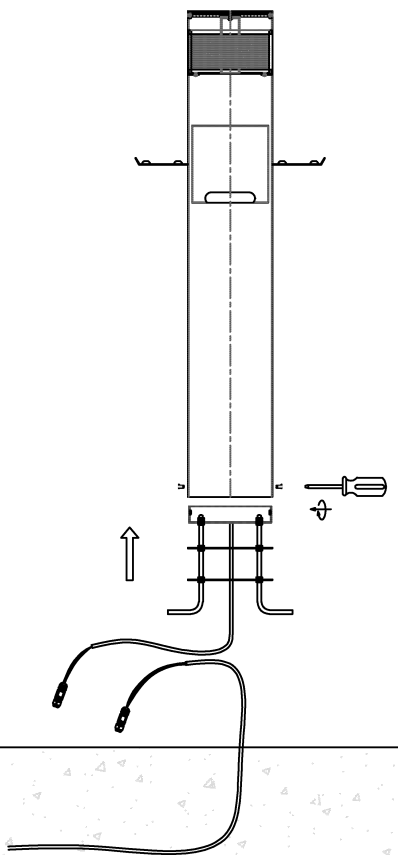
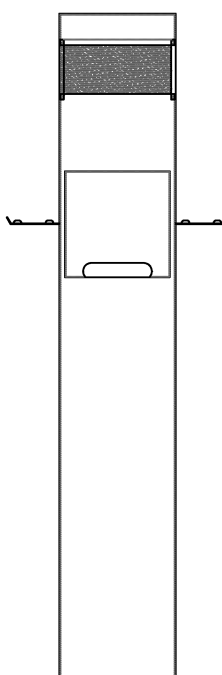


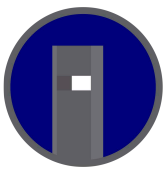
991 South Gull Lake Dr

Richland, MI 49083

USA



 <p>1. Take out the lamps and find the corresponding accessories.</p>	 <p>2. Install the anchor kit into the concrete.</p>
 <p>3. Link power main line. 4. Put the lamp body into the ground cage and fix it.</p>	 <p>5. Lamp size drawing. 6. Try to light lamps.</p>



WARNING:

- The safety of this fixture is guaranteed only if you comply with these instructions.
- The appliance must not be tampered with or transformed and it must be installed and used as supplied and in compliance with the national rules on installations.
- Switch-off the power supply before carrying out any maintenance operations. hot plug-in is not allow and may cause damage to the luminaire.
- Installation and service must be performed by qualified service personnel.
- Any non-compliant installations will invalidate all forms of guarantee.