

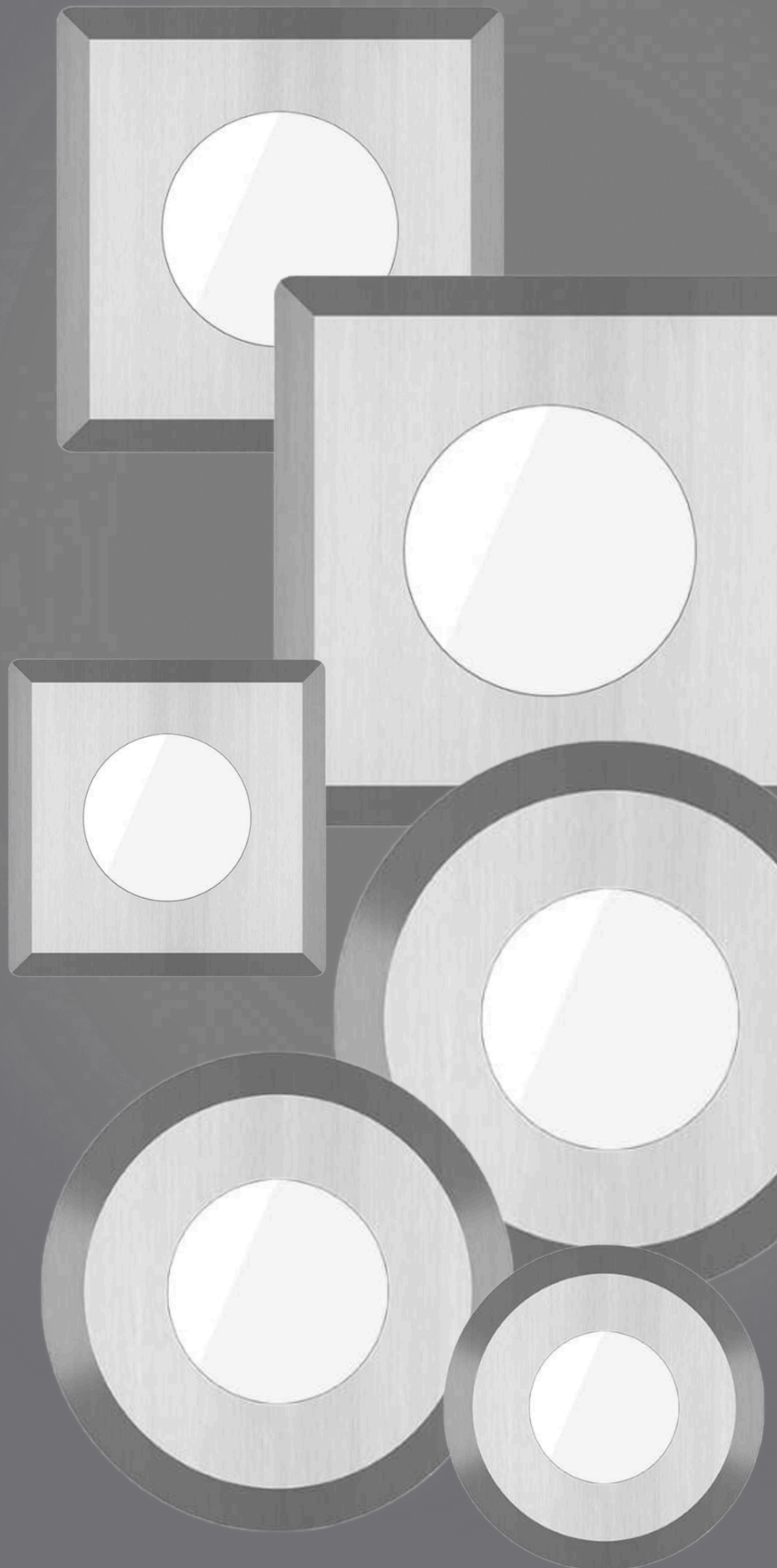


**BULLARD  
BOLLARDS**  
Think Bollard Think Bullard

# BUNNY GROUND FLAT

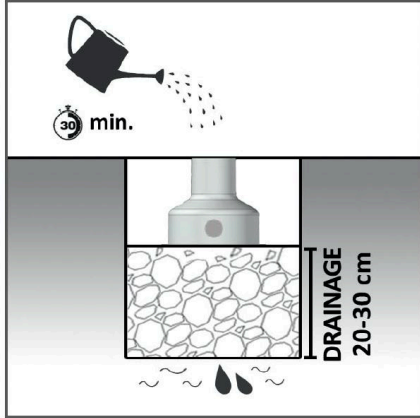
INSTALLATION TYPE:  
RECESSED

GROUND-FLAT-32  
GROUND-FLAT-45  
GROUND-FLAT-55

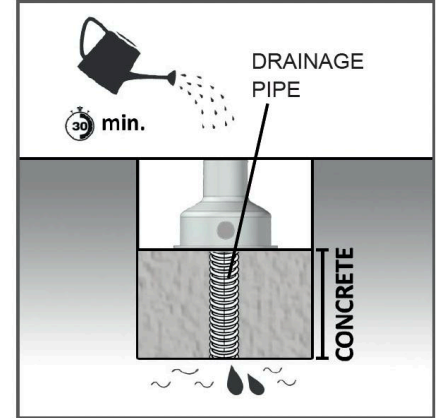
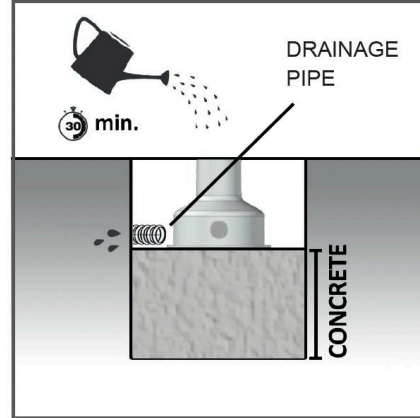




Rough-in compatible with led driver

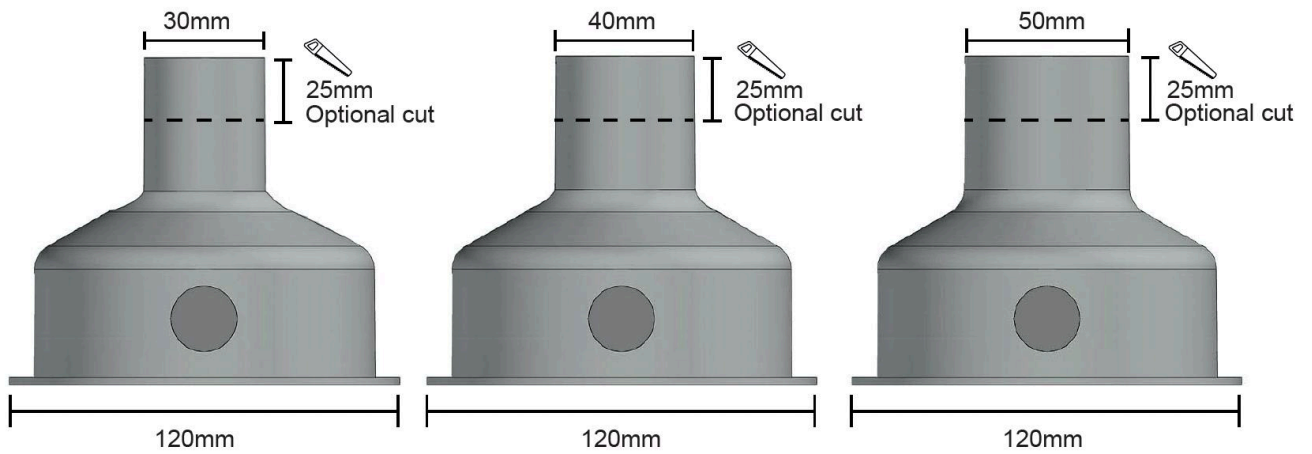


**!** If water does not disappear in 30 min. you must use a further drainage system:



FURTHER DRAINAGE SYSTEM

Hole diameter

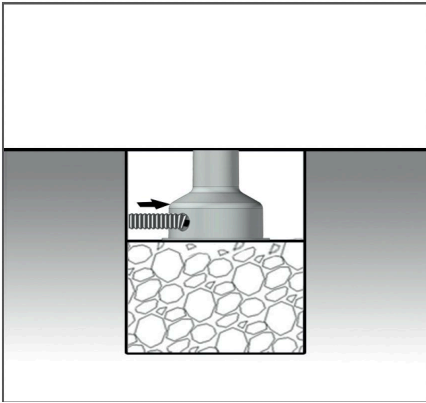


For FLAT-GROUND 32 model

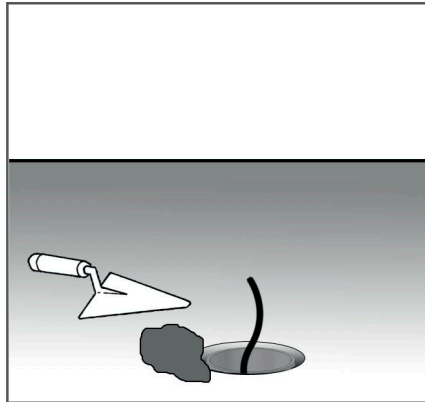
For FLAT-GROUND 45 model

For FLAT-GROUND 55 model

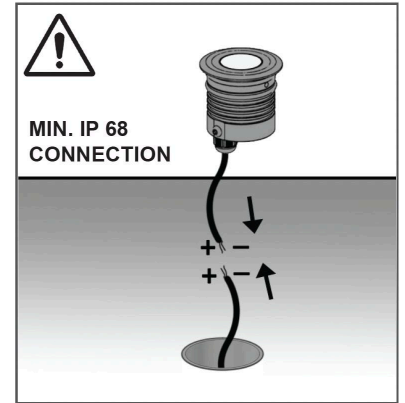
2



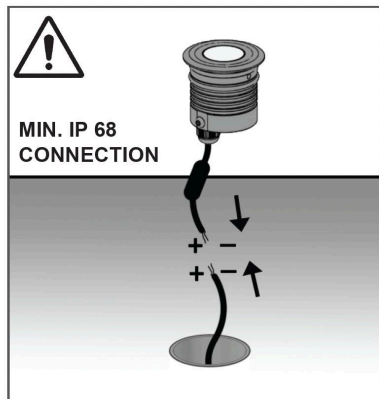
3



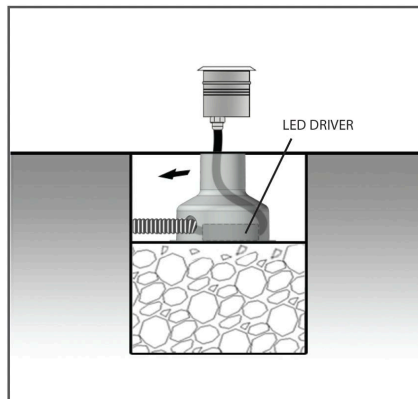
4



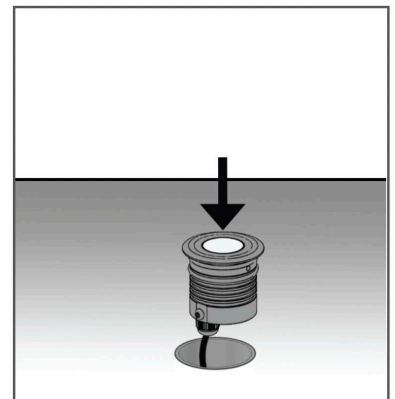
Only for 24V version



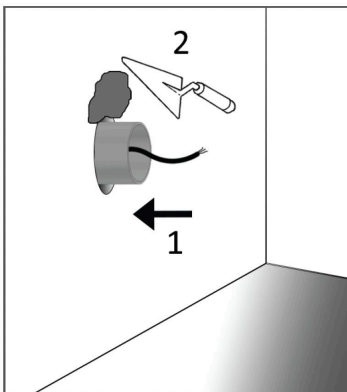
5



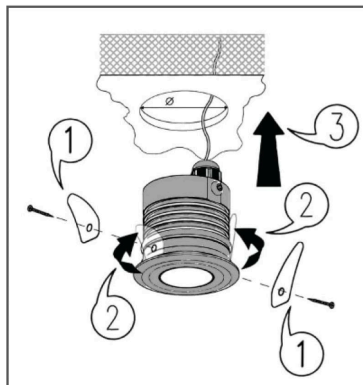
6



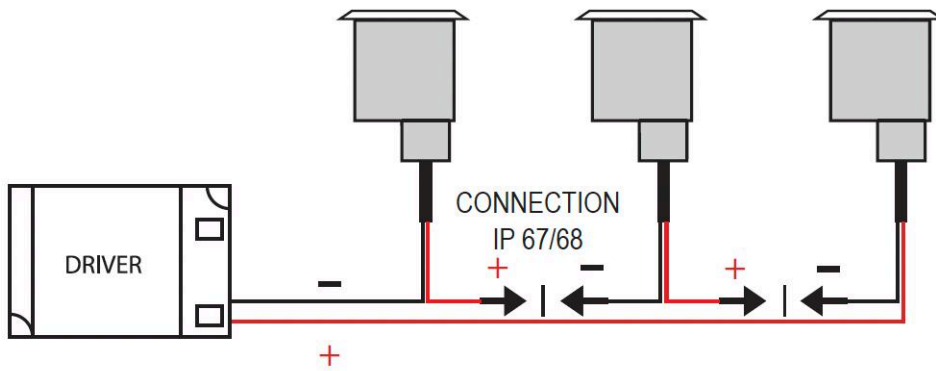
WALL RECESSED VERSION



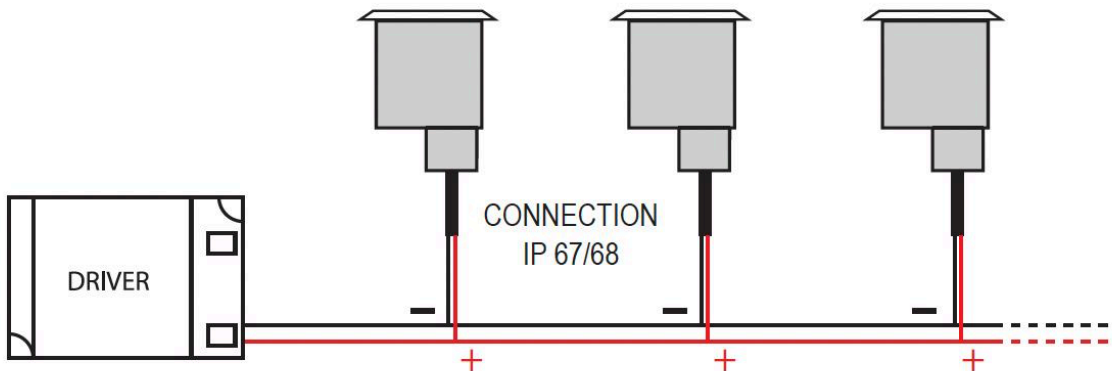
CEILING RECESSED VERSION



Connection in series:  
Constant current - V AC



Connection in parallel:  
Constant voltage - 24 V DC



THE SAFETY OF THIS FIXTURE IS GUARANTEED ONLY IF YOU COMPLY WITH THESE INSTRUCTIONS; REMEMBER TO KEEP IN A SAFE PLACE. THE APPLIANCE MUST NOT BE TAMPERED WITH OR TRANSFORMED AND IT MUST BE INSTALLED AND USED AS SUPPLIED AND IN COMPLIANCE WITH THE NATIONAL RULES ON INSTALLATIONS. SWITCH-OFF THE POWER SUPPLY BEFORE CARRYING OUT ANY MAINTENANCE OPERATIONS. HOT PLUG-IN IS NOT ALLOW AND MAY CAUSE DAMAGE TO THE LUMINAIRE. THE LIGHT SOURCE CONTAINED IN THIS LUMINAIRE SHALL BE REPLACED ONLY BY THE MANUFACTURER OR HIS SERVICE AGENT. INSTALLATION AND SERVICE MUST BE PERFORMED BY QUALIFIED SERVICE PERSONNEL. ANY NON-COMPLIANT INSTALLATIONS WILL INVALIDATE ALL FORMS OF GUARANTEE.

P.4

[sales@gordonbullard.com](mailto:sales@gordonbullard.com)  
[www.bullardbollards.com](http://www.bullardbollards.com)  
1 877-964-4646



991 South Gull Lake Dr.  
Richland, MI 49083  
USA