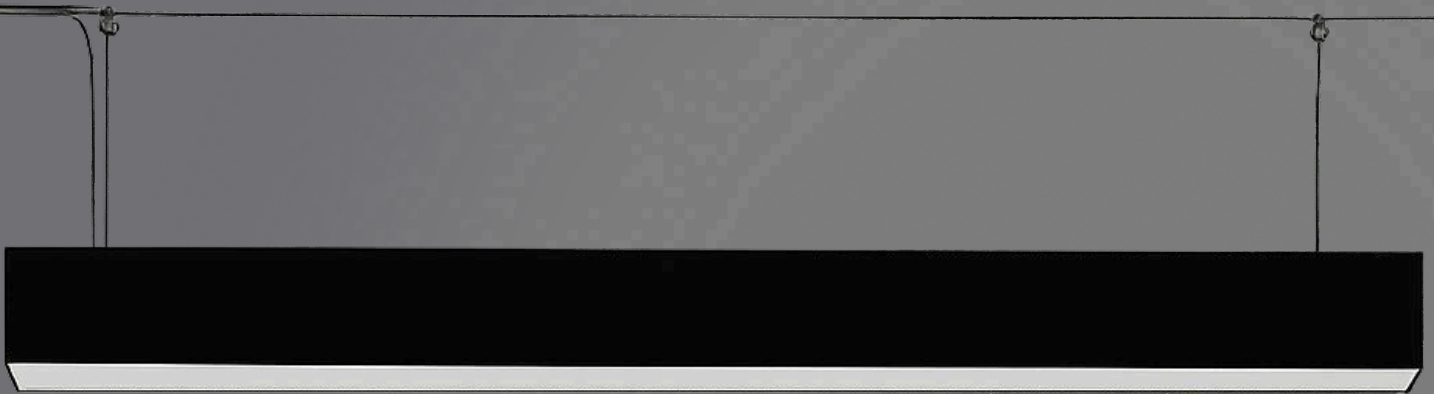




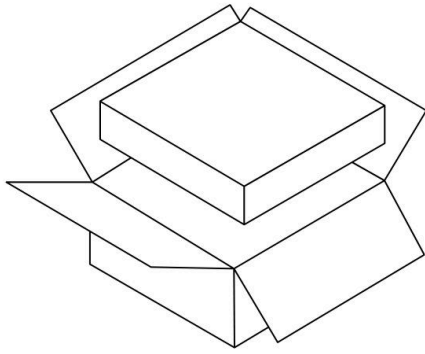
**BULLARD
BOLLARDS**
Think Bollard Think Bullard



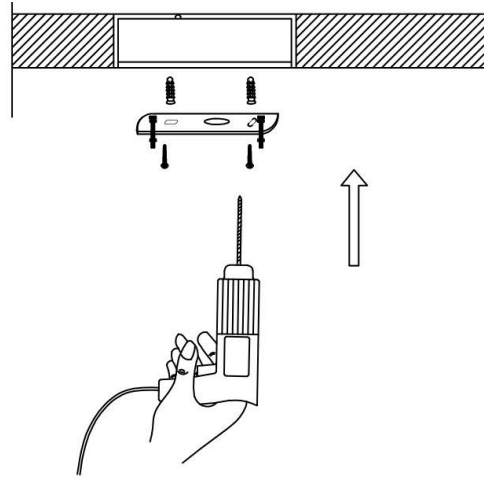
FRUIT LINE

INSTALLATION TYPE:
PENDANT-MOUNT

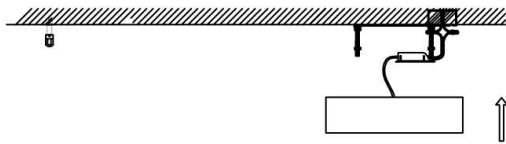




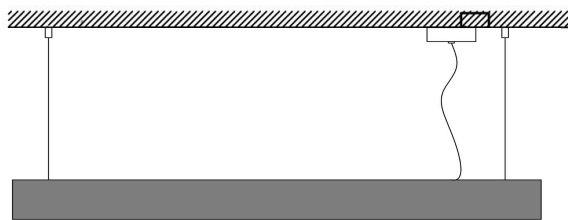
1: Take out the lamps and find the corresponding accessories.



2: Take out the hanging board and fix it on the ceiling according to the picture.



3: Connect the main power line.



4: Link and fix the lamp body and the hanging plate.

5: Turn on the light and try to light it.

