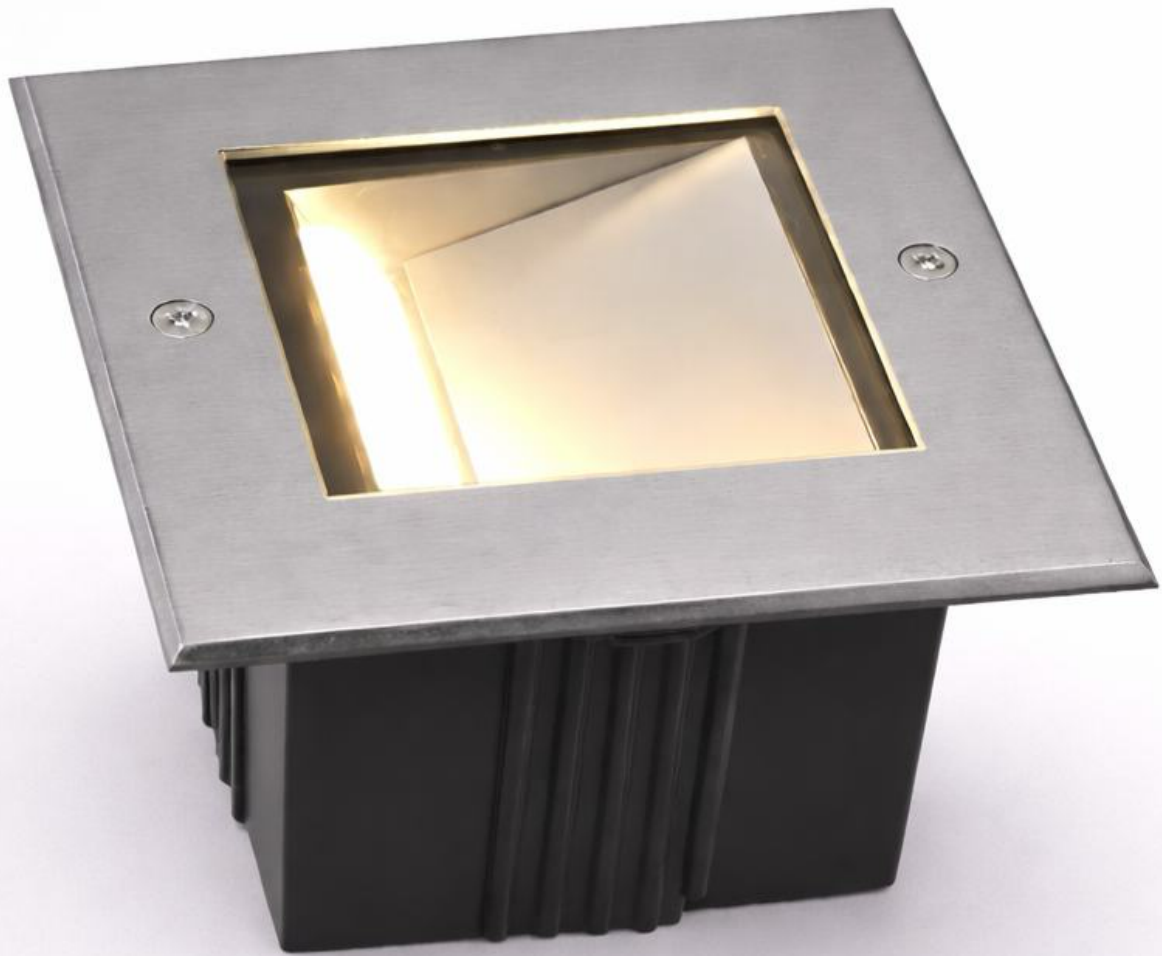


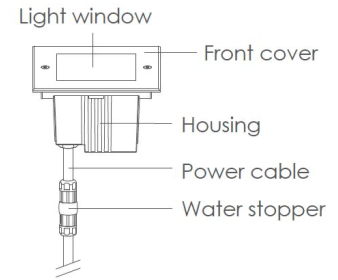
VANDA



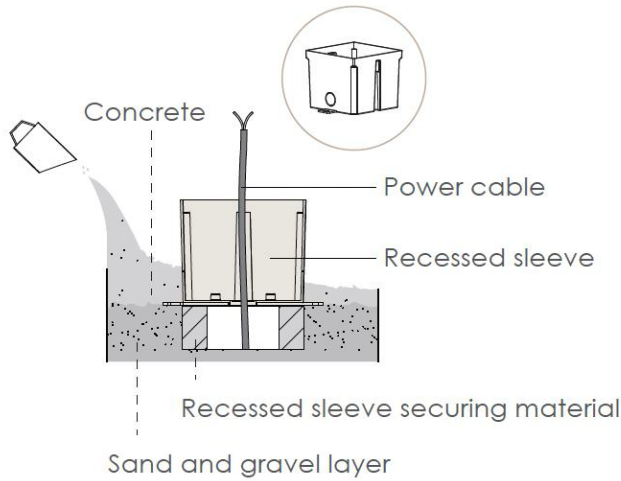
Data Sheet:

Input Voltage (V): 110-277
 IK 09

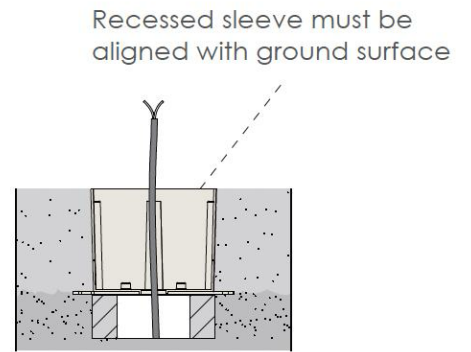
Installation steps



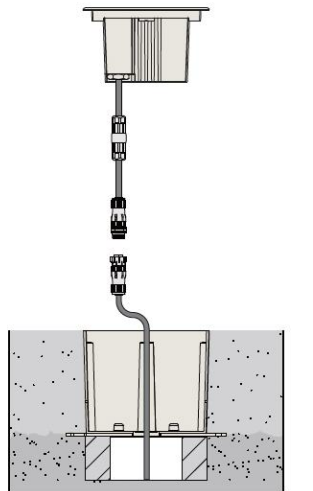
Step 1



Step 2

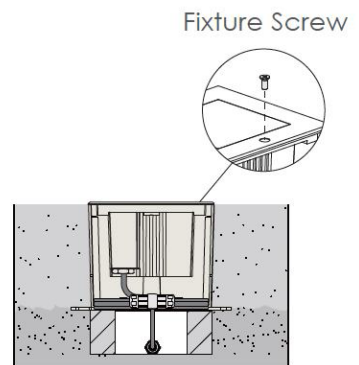


Step 3



Connect the power cable

Step 4



P.2

sales@gordonbullard.com
www.bullardbollards.com
 1 877-964-4646

991 South Gull Lake Dr.
 Richland, MI 49083
 USA

