



**BULLARD
BOLLARDS**
Think Bollard Think Bullard

YPSILON
(ILLUMINATED FURNITURE)

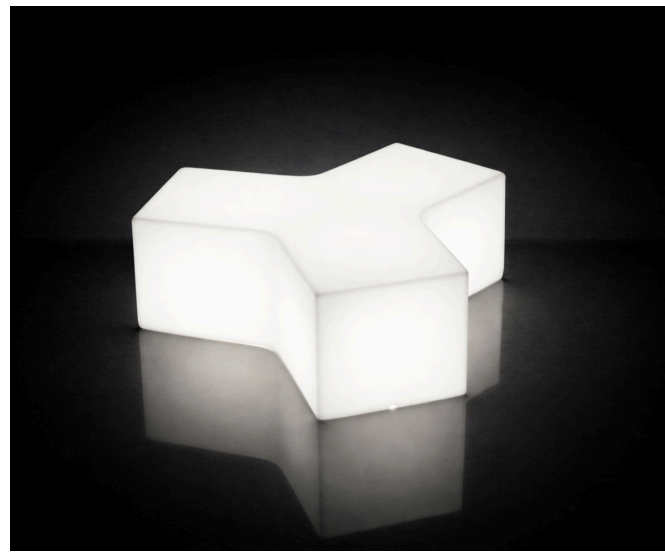




FIXTURE TYPE: _____

PROJECT NAME: _____

NOTES:



GENERAL INFORMATION:

Ypsilon is a sculptural modular bench defined by its fluid curvature and luminous presence. Designed to articulate indoor and outdoor environments, it enhances private landscapes as well as contemporary hospitality and contract spaces.

Inspired by the form of the Greek letter, Ypsilon seamlessly integrates with other Slide luminous seating elements, including Snake and Cubo, enabling the creation of bespoke compositions with a refined architectural character.

FIXTURE TYPE:

Illuminated Furniture

VOLTAGE:

110-277V

MATERIAL:

Polyethylene

IP RATING:

IP 55

IP 55

FINISHING:

Light white

WARRANTY:

Lighting products are warranted for 5 years.

APPLIANCE CLASS:

II



LOCATION:

Outdoor

THINK BOLLARD - THINK BULLARD

sales@gordonbullard.com
www.bullardbollards.com
1-877-964-4646



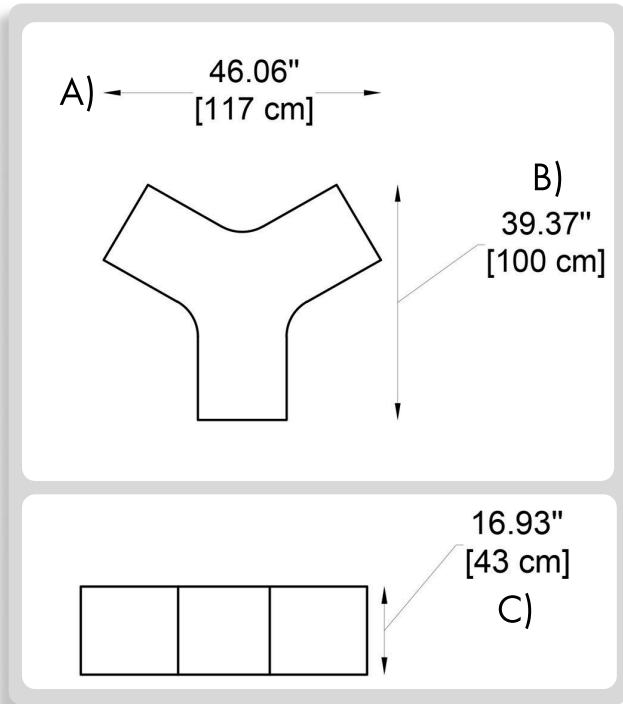
991 South Gull Lake Dr
Richland, MI 49083
USA



FIXTURE TYPE: _____

PROJECT NAME: _____

NOTES:



HOW TO ORDER:

CODE:

**Example:
CODE: BB-YP-SD**

BB-YP-SD

1 DIMENSIONS:

A) Length - L: 46,06" (117 cm)
 B) Height - H: 16,93" (43 cm)
 C) Width - W: 39,37" (100 cm)

2 LIGHT SOURCE:

E26 / 3 x max. 10W / 110-277V

3 FINISH OPTION:

Light white

4 WIRING:

Black cable (Length: 10 ft)

5 WEIGHT:

33,06 lb

THINK BOLLARD - THINK BULLARD

sales@gordonbullard.com
 www.bullardbollards.com
 1-877-964-4646



991 South Gull Lake Dr
 Richland, MI 49083
 USA