



**BULLARD  
BOLLARDS**  
Think Bollard Think Bullard

**ATTIMO  
PENDANT**





FIXTURE TYPE: \_\_\_\_\_

PROJECT NAME: \_\_\_\_\_

NOTES:



**GENERAL INFORMATION:**

ATTIMO is a sculptural outdoor pendant defined by fluid motion and asymmetrical balance. Curved metal arms create a dynamic suspended form, complemented by glass elements available in Trasparente, Ambra, or Smokey finishes to control ambiance and glare. Designed for exterior environments, covered outdoor areas, terraces, and architectural settings.

**FIXTURE TYPE:**

Pendant

**VOLTAGE:**

110-277V



**MATERIAL:**

Murano glass in a raw steel cage and wrinkled matt black frame

**IP RATING:**

IP 54



**APPLIANCE CLASS:**

II

**GLASS FINISHING:**

- Trasparente
- Amber
- Smokey

**METAL FINISHING:**

- Raw steel + matt black

**MAIN FEATURES:**

- High visual comfort
- Available in a wide range of finishes
- Functional and minimalistic design
- Shock-resistant construction

**THINK BOLLARD - THINK BULLARD**

sales@gordonbullard.com  
www.bullardbollards.com  
1-877-964-4646



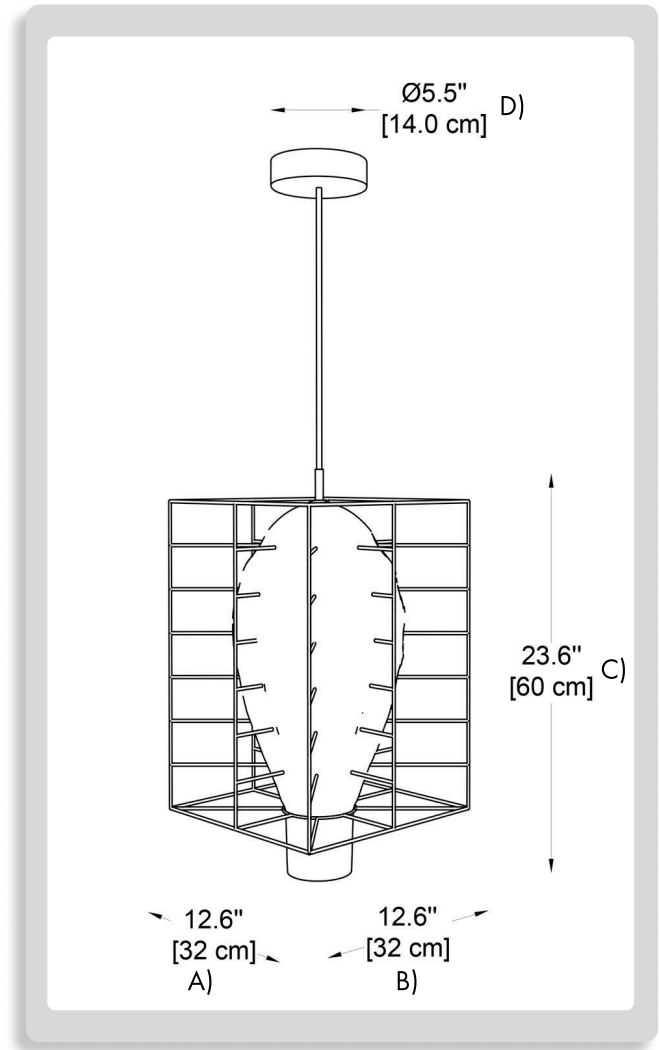
991 South Gull Lake Dr  
Richland, MI 49083  
USA



FIXTURE TYPE: \_\_\_\_\_

PROJECT NAME: \_\_\_\_\_

NOTES:



**HOW TO ORDER:**

**CODE:**

<b>Example:</b> <b>CODE: BB-ATP-GL-FE-TR</b>	<b>BB-ATP-GL- FE-TR</b>
---	-----------------------------

**1 DIMENSIONS:**

- A) Length - L: 12.6" (32 cm)
- B) Width - W: 12.6" (32 cm)
- C) Height - H: 23.6" (60 cm)
- D) Canopy - Ø: 5.5" (13.97 cm)

**2 LIGHT SOURCE:**

E26 | 1 x max. 60W | 110-277V

**2 GLASS FINISH OPTIONS:**

- TR Trasparente
- AM Ambra
- SM Smokey



**THINK BOLLARD - THINK BULLARD**

sales@gordonbullard.com  
www.bullardbollards.com  
1-877-964-4646



991 South Gull Lake Dr  
Richland, MI 49083  
USA