

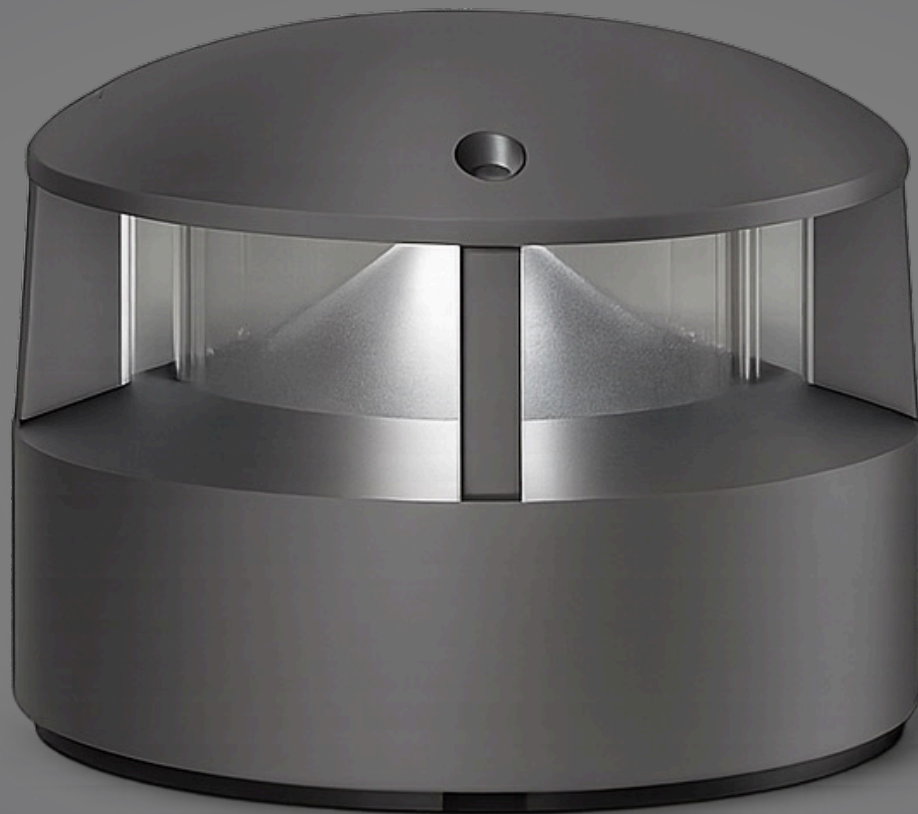


**BULLARD  
BOLLARDS**  
Think Bollard Think Bullard

# INSTALLATION INSTRUCTION

# ZACK D31

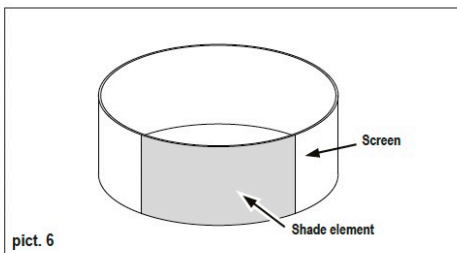
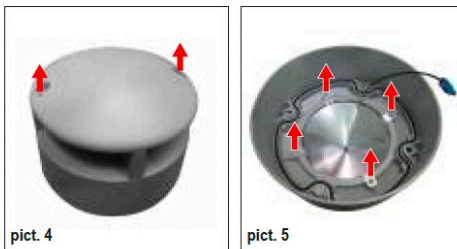
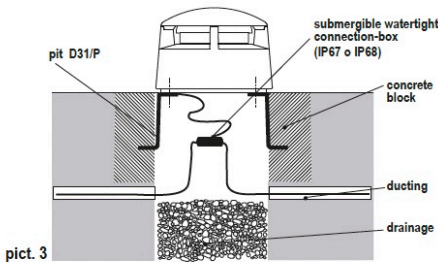
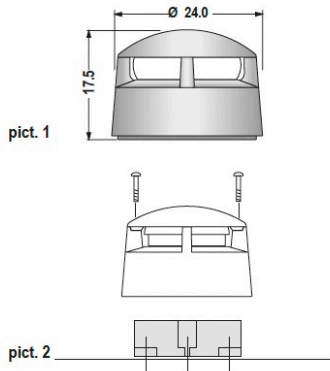
INSTALLATION TYPE:  
STANDARD GRADE



installation and maintenance sheet

D31- zack

**NB: These assembly instructions must be given to end users for correct maintenance and so that they know how to change the bulb. The appliance must not be tampered with or transformed and it must be installed and used as supplied and in compliance with the National Rules on Installations. Any non-compliant installations will invalidate all forms of guarantee. THE COMPANY CANNOT BE HELD RESPONSIBLE FOR DAMAGE CAUSED BY INCORRECT ASSEMBLY.**



**Features - meaning of the symbols shown on the label:**  
 suitable for exterior or interior free air operation, wall or ground mounting

- IP67 totally dust-proof, jet-proof from any direction
- ▽ mounting on normally inflammable surfaces allowed
- ⊥ heavy-duty, can withstand impacts up to 6,5 Nm
- Class I ⊕ double insulation: earth not required
- ⊗ getting rid of as urban waste forbidden  
 separate collection is mandatory  
 when the product is at the end of its life

**Floor - wall mounting**

- Open the fixture using the proper key and pull out (pict. 2) the support base of the electric parts that has to be fixed to the ground or to the accessory D31/P (ground pit) if used.
- When the accessory D31/P is not used, it is necessary to prepare a rigid base and fix the fitting with four dowels diameter 8/10mm on it. It is advisable to prepare the base so as to avoid that dirt and stagnant water can accumulate (pict. 3).
- The fixture is supplied complete with a length of H07RN-F cable section 3x1.5 mm<sup>2</sup> that must not be tampered with for any reason. In case of cable damaging replace the base. The electrical connection can be made with a thermo-setting sheath type Pirelli SMW-M 12/3 or similar to guarantee at least an IP67 sealing degree and must be carried out by a skilled electrician.
- Once the electrical connection is made fix the base to the support.  
 Fit the lamp in and re-assemble the fixture body taking care not to dirt or move the sealing gaskets from their seat.

**Mounting with the accessory D31/P (pict.3)**

- The D31/P accessory, for ground recessed mounting, works as support and fixing base of the fixtures type D31/zack and creates the necessary room for the electrical line connection.

**Instructions for use**

- Recess the D31/P ground pit making a concrete block having dimensions and features apt to guarantee the vandal-proof irreversibility.
- It is necessary to provide an effective drainage to avoid the flooding of the ground-pit and the risk of short-circuits of the electrical connection.
- Connect the line cable to the cable length section 3x1.5 mm<sup>2</sup> coming out from the fixture by means of a watertight connection box to guarantee a sealing degree of at least IP67. The connection must be carried out by a skilled electrician.

**Mounting of the darkening shields (D31/SO) 90° width**

- It is possible to limit the light emission by means of the accessories D31O/SO.
- Disconnect the electrical wires and separate the base from the rest of the body (pict. 4).
- Unscrew the four screws in the reflector and remove it taking care not to deform it (pict. 5).
- Remove the top film from the tape on the shade element and stick it inside the screen, making sure that the lower edge of the shade element is lined up with the lower edge of the screen (pict. 6).
- Reassemble the screen and screw on the cap from inside the body. Reconnect the wires and close the unit by tightening the screws on the cap.

**Important notice**

- Do not use more than 2 darkening shields for a maximum of 180° width.

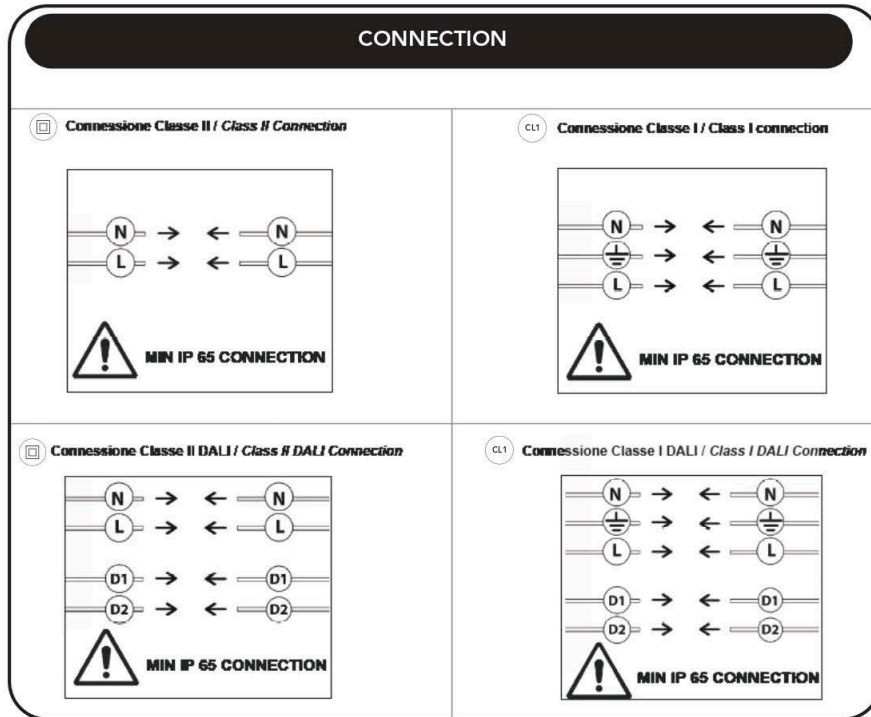
**REPLACE LED**

For the replacement of the LED circuit please get in touch with our company or its sales organization. The replacement must be done by a qualified electrician.

**Maintenance**

- A frequent cleaning of the glass and of the outer surface of the fixture is essential to avoid build up of mud and dirtiness resulting in dangerous overheating due to uncorrect light emission and heat dissipation clean carefully the glass screen removing limestone deposits by means of a scraper.

This fixture is supplied with a separate LED driver for installation in accordance with US electrical standards.



Electrical connection steps:

1. Connect light source wires to the LED driver output (+ to +, - to -).
2. Connect the mains voltage to the LED driver input (L to L, N to N).

**! Caution - main voltage range is 110-277V AC !**  
**! Always verify polarity and function markings on the driver label before making connections.**

3. Place the LED driver inside the lamp base.
4. Install the lamp base into the base plate and fix with the screws.

**WARNING:**

- The safety of this fixture is guaranteed only if you comply with these instructions.
- The appliance must not be tampered with or transformed and it must be installed and used as supplied and in compliance with the national rules on installations.
- Switch-off the power supply before carrying out any maintenance operations. Hot plugging is not allowed and may cause damage to the luminaire.
- Installation must be performed by a licensed electrician in accordance with NEC and local codes.
- Improper installation voids warranty.

