



**BULLARD
BOLLARDS**
Think Bollard Think Bullard

**TEO SOLAR (Dark Sky)
STANDARD GRADE**



FIXTURE TYPE: _____

PROJECT NAME: _____

NOTES:

GENERAL INFORMATION:

The TEO Solar (Dark Sky) Bollard combines sustainability with functional elegance, featuring durable 304 stainless steel, polycarbonate, and glass construction. Powered by a solar-charged LiFePO4 (12V, 30Ah) battery, it operates at 7W, delivering 215 lm with CRI 80 and CCT options of 2700K or 3000K. Designed for high visual comfort and minimal light pollution, it's IP65-rated for outdoor resilience. With dimensions of H: 39.37" (100 cm), W: 8.26" (21 cm), and L: 8.26" (21 cm), it offers customizable finishes in white, black, grey, or as requested. Ideal for eco-conscious lighting in outdoor spaces.

FIXTURE TYPE:

Solar Bollard

VOLTAGE:

110-277V



MATERIAL:

304 Stainless steel, Polycarbonate, Glass

IP RATING:

IP 65



BEAM ANGLE:

120°

SOLAR LED INFORMATION:

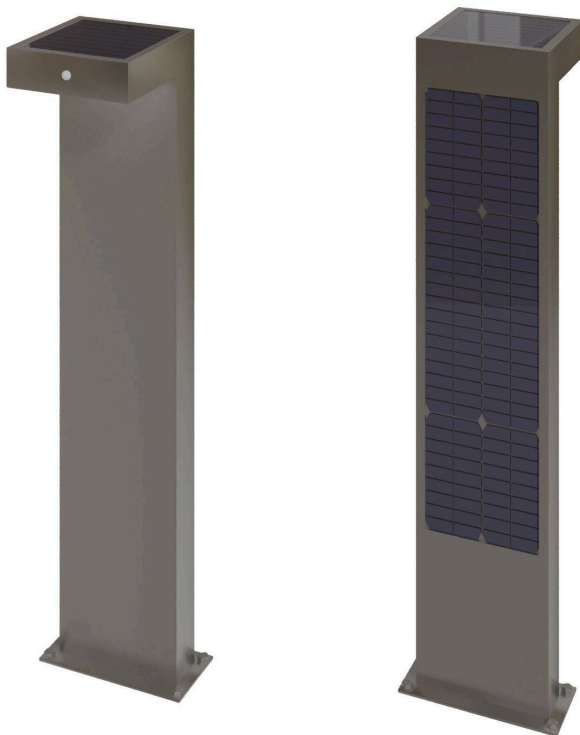
Battery - LiFePO4 (12V, 30Ah)
 Charging way- Solar Power Charging

WARRANTY:

LED lighting products are warranted for 5 years.

MAIN FEATURES:

- High visual comfort
- Wide range of finishes
- Functional design
- Minimal design
- Shock resistant
- Operating Temperature: -25°C..+60°C



THINK BOLLARD - THINK BULLARD

sales@gordonbullard.com
 www.bullardbollards.com
 1-877-964-4646



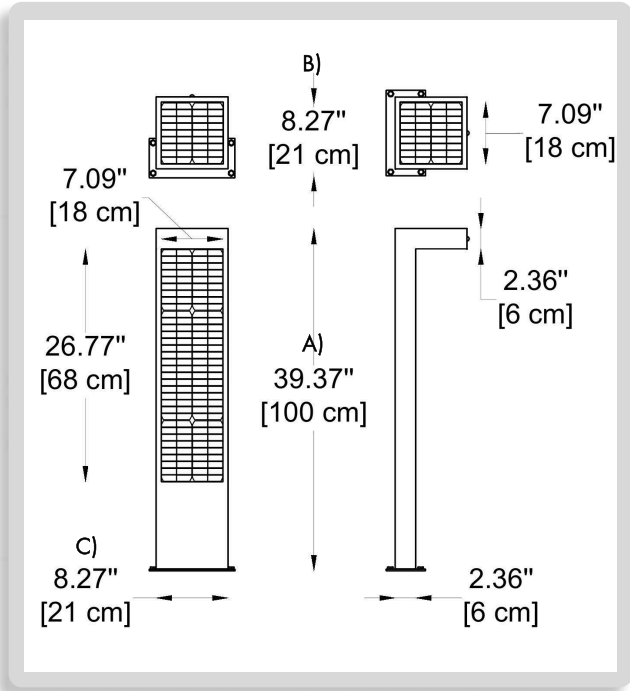
991 South Gull Lake Dr
 Richland, MI 49083
 USA



FIXTURE TYPE: _____

PROJECT NAME: _____

NOTES:



HOW TO ORDER:

CODE:

Example:
CODE: BB-DHSE-1153-SL-1-K30-DIM-CUS

BB-DHSE-1153-SL-1-K30-DIM-CUS

1 DIMENSIONS:

- A) Height - H: 39.37" (100 cm)
- B) Width - W: 8.26" (21 cm)
- C) Length - L: 8.26" (21 cm)

2 LIGHT SOURCE:

- 1 LED / 4W / 630 lm / CRI 80
- 2 LED / 590 nm / Amber LIGHT
- 3 True amber light 595 nm dominant wavelength

3 CCT: ONLY FOR LIGHTSOURCE -1

- K16 1600K
- K18 1800K
- K27 2700K
- K30 3000K

4 DIMMING OPTIONS:

- NON NON-Dimmable
- DIM 0-10V

5 FINISH OPTIONS:

- WH White
- BL Black
- GR Grey
- CUS Custom on request*



ONE WITH THE SUN

sales@gordonbullard.com
www.bullardsolar.com
1-877-964-4646



991 South Gull Lake Dr
Richland, MI 49083
USA