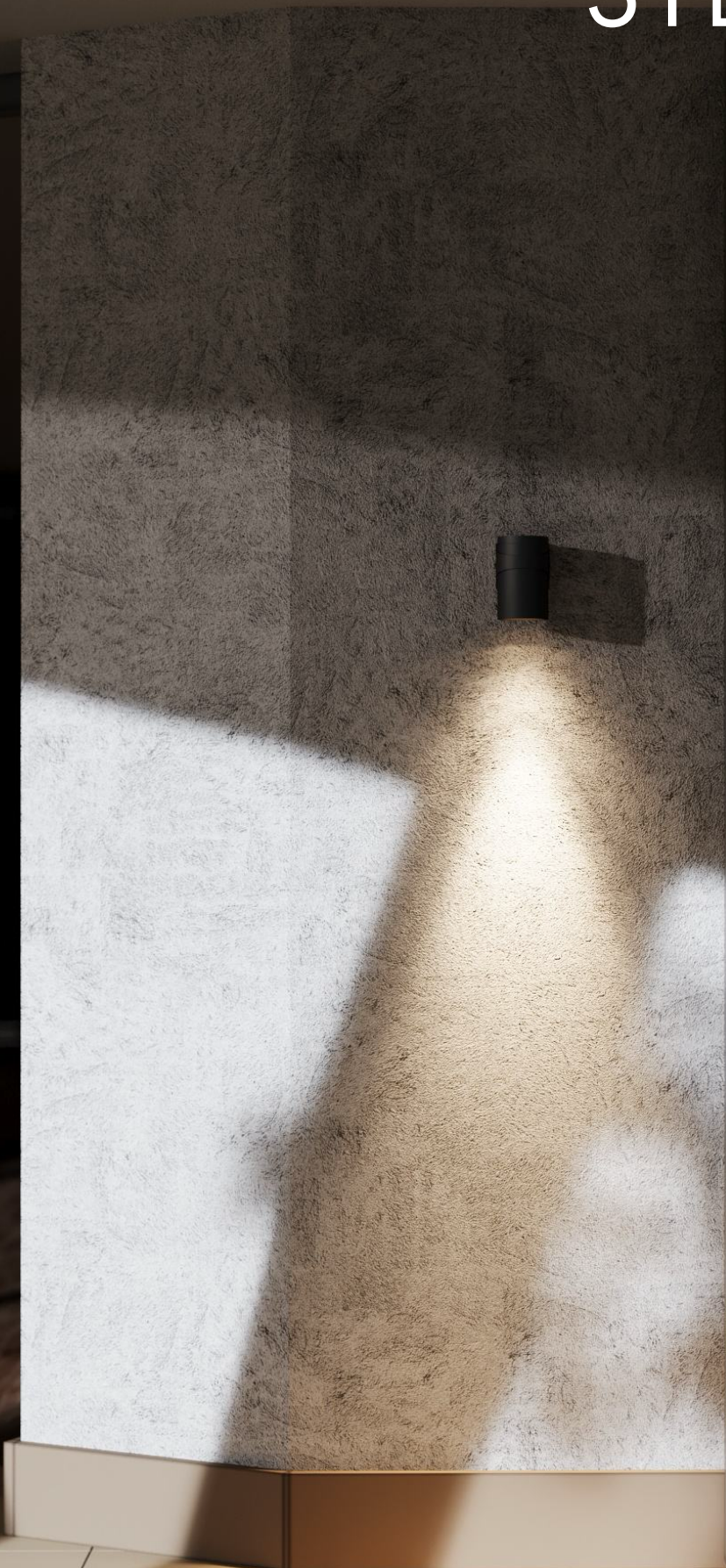
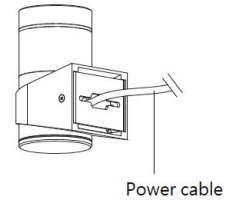
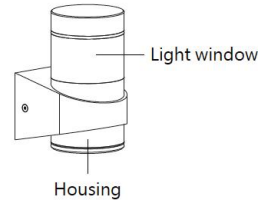


SILVANNA



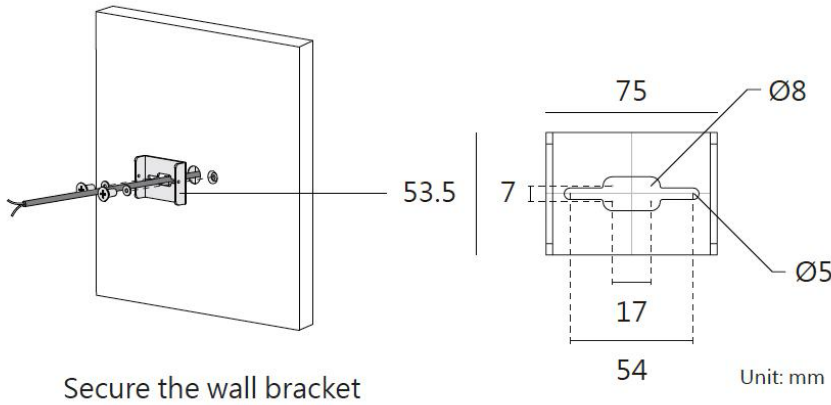
Data Sheet:

Input Voltage (V): 110-277
IK 08

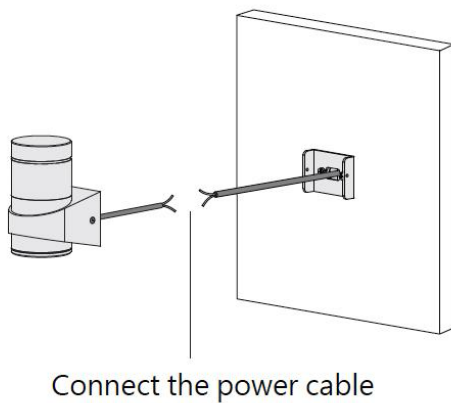


Installation steps

Step 1



Step 2



Step 3

