



**BULLARD
BOLLARDS**
Think Bollard Think Bullard

INSTALLATION INSTRUCTION

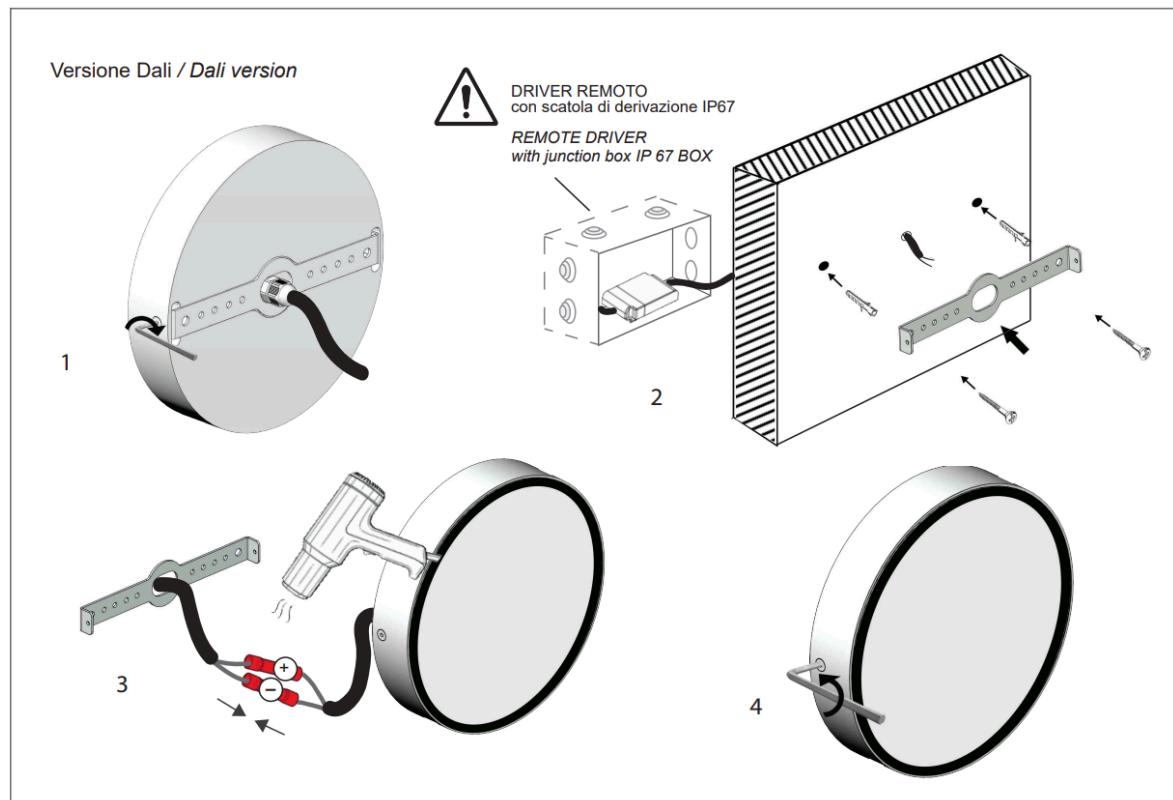
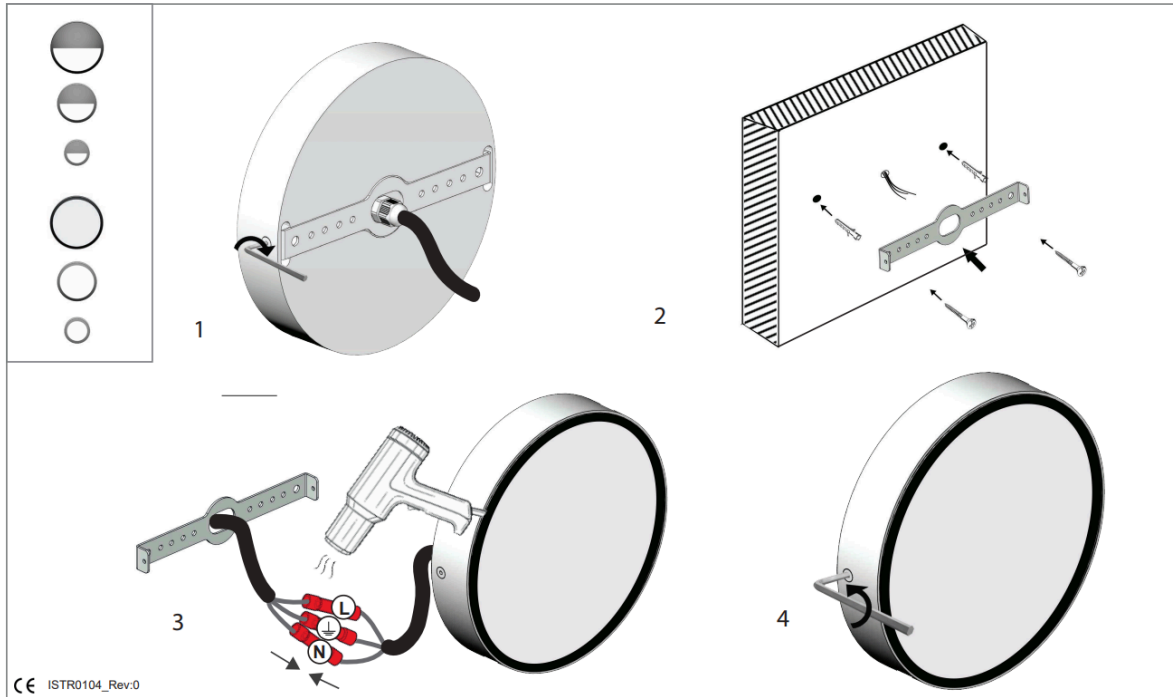
FORMO FLAT

INSTALLATION TYPE:
CEILING SURFACE

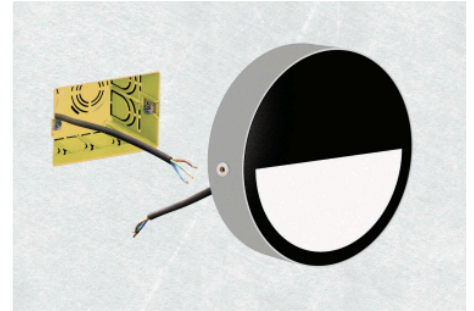


03/09/2026

WALL LAMP / ASSEMBLING INSTRUCTION
 FOR TECHNICAL INFORMATION REFER TO THE LABEL ON THE DEVICE



A WALL BOX, 503 OR EQUIVALENT, IS COMPULSORY FOR A PROPER INSTALLATION



100	502 interdistanza 60 mm 502 spacing 60 mm

140	502 interdistanza 60 mm 502 spacing 60 mm	503 interdistanza 83,5 mm 503 spacing 83,5 mm	504 interdistanza 108,5 mm 504 spacing 108,5 mm

190	502 interdistanza 60 mm 502 spacing 60 mm	503 interdistanza 83,5 mm 503 spacing 83,5 mm	504 interdistanza 108,5 mm 504 spacing 108,5 mm	505 interdistanza 132 mm 505 spacing 132 mm

IMPORTANT

- To ensure equipment safety you must carefully follow the instructions below. This leaflet must be kept handy by personnel entrusted with all ordinary and extraordinary maintenance.
- Before any installation or maintenance operation on the bulb, make sure it is disconnected from power.
- Fit the correct bulbs, according to the type and power indicated on the lamp data label.
- Make sure the lamp technical features are compatible with the use you are going to make of it.
- Should you have any doubt, refer to the dealer or ask an electrician.
- When connecting to the mains, follow the correct colour code for power cables: (N) blue, (L) brown or black and, only for class I equipment, (T) yellow/green.
- When lamps are to be fitted to the wall directly through their ceramic parts, fasten the fixing screws lightly, to avoid breaking the ceramic.
- To clean the lamp on the outside, use a soft cloth, possibly wet. Do not use solvents or abrasive products. No liquid must get in contact with the lamp interior parts.
- Do not touch the equipment with dirty hands.



= Class I equipment, must be connected to an earth terminal.



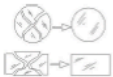
= Double insulated lamp, does not need earthing.



= Electrical equipment in class III, electrical safety guaranteed by low voltage tension, does not require grounding



= Minimum distance to be observed from all lit up objects.



= Replace immediately the safety glass, if damaged, with the original part.



= The lamp uses low pressure bulbs, and needs no protection glass.