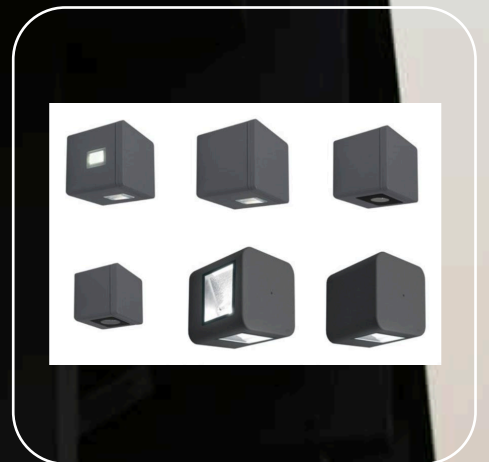
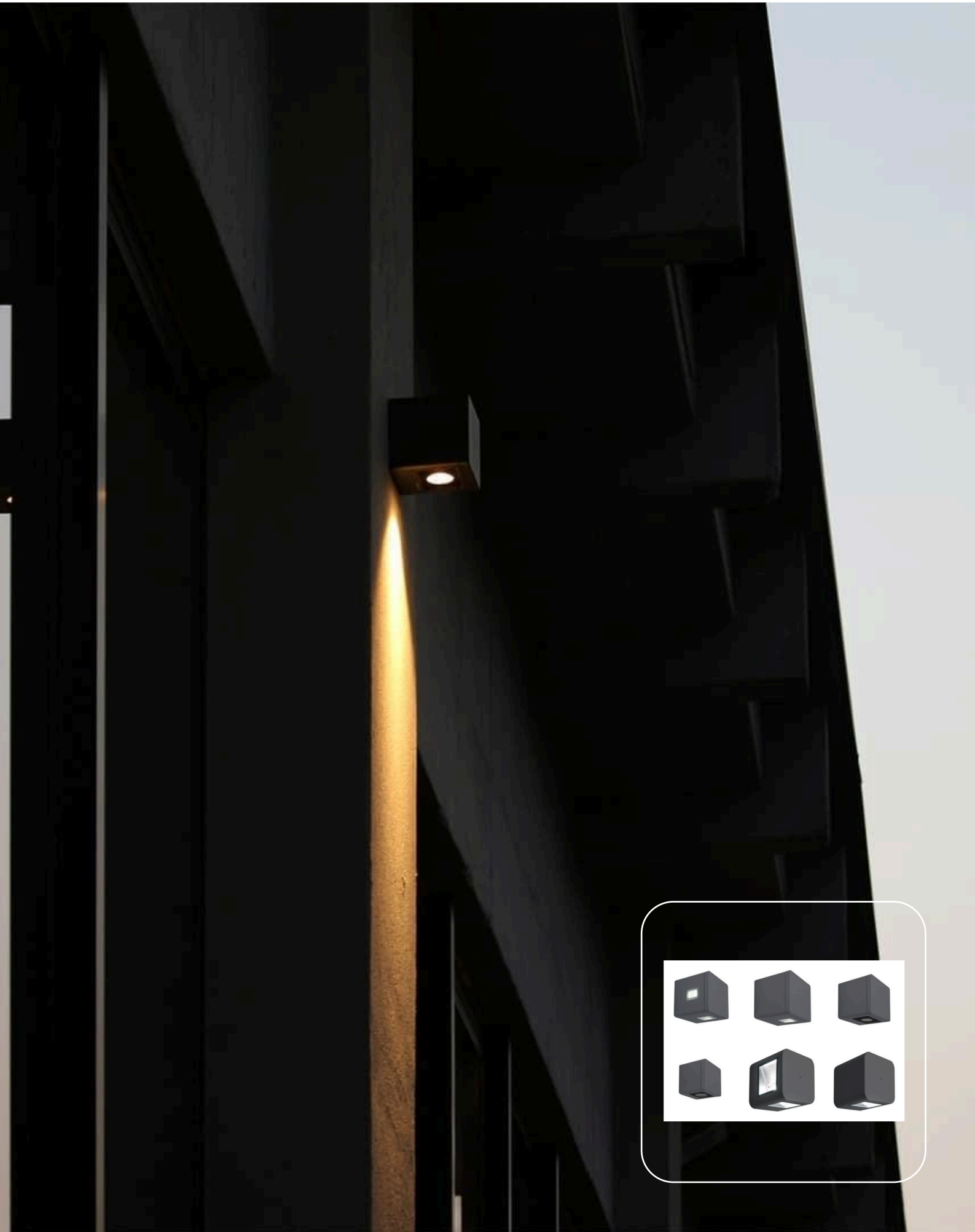




**BULLARD
BOLLARDS**
Think Bollard Think Bullard

BUVEO WALL (SURFACE MOUNTED WALL LUMINAIRES)





**BULLARD
BOLLARDS**
Think Bullard Think Bullard

**CODE:
BB-1152.00BGST-GH**

FIXTURE TYPE: _____

PROJECT NAME: _____

NOTES:



GENERAL INFORMATION:

The BUVEO WALL by Bullard Bollards features modern outdoor wall-mounted luminaires designed to create decorative lighting effects on walls and facades. These fixtures are available in different sizes and configurations, allowing flexible combinations of light openings, optics, and power. Made from high-resistance die-cast aluminum with tempered glass diffusers, they are built to withstand atmospheric conditions and UV exposure. The series offers durable, high-performance lighting solutions that combine architectural aesthetics with reliable outdoor functionality.

FIXTURE TYPE:

Surface Mounted Wall Luminaires

LIGHTING:

LED

INPUT VOLTAGE:

110-277V

MATERIAL:

Die-cast aluminum EN AB 44100 highly resistant to oxidation

GASKETS:

Silicone gaskets

EXTERNAL SCREWS:

Stainless steel A4-70 treated with highly antioxidant water-repellent lubricating solution

FINISH AND PROTECTION:

Primary treatment with nanoceramic conversion. Protection with textured polyester powder coating resistant to weathering and UV rays

DRIVER POSITION:

Integral

CRI:

>90

IP RATING:

IP65

APPLINCE CLASS:

I

CONTROL:

ON-OFF

THINK BOLLARD - THINK BULLARD

sales@gordonbullard.com

www.bullardbollards.com

1-877-964-4646



991 South Gull Lake Dr

Richland, MI 49083

USA



FIXTURE TYPE: _____

PROJECT NAME: _____

NOTES:



CABLE ENTRY:

IP66 lamellar bushing Ø max 0.9cm

BEAM ANGLE / LIGHT DISTRIBUTION / BEAM DIRECTIONABILITY:

17°	Symmetrical medium flood (15 ° - 45 °)	Fixed optics
27°	Symmetrical medium flood (15 ° - 45 °)	Fixed optics
34°	Symmetrical medium flood (15 ° - 45 °)	Fixed optics
76°x60°	Asymmetric flood (wall washer)	Fixed optics
26°	Symmetrical medium flood (15 ° - 45 °)	Fixed optics
34°	Symmetrical wide beam (45 ° - 125 °)	Fixed optics
4°	Symmetrical narrow beam (<=15°)	Fixed optics
66°	Other	Fixed optics

DIFFUSER MATERIAL / DIFFUSER FINISH:

Tempered glass 0.3cm / Transparent - extra clear

OPTICS:

Reflector in anti-UV technopolymer with super pure aluminum metallization

WARRANTY:

LED lighting products are warranted for 5 years.

MAIN FEATURES:

- Wide range of finishes
- Wide choice of optics
- Minimal design
- Operating Temperature: 253.15 K ÷ 308.15 K (-20 °C ÷ +35 °C)
- Increased temperature to 323.15 K (50°C)
- *upon request previous specific components and test



THINK BOLLARD - THINK BULLARD

sales@gordonbullard.com
www.bullardbollards.com
1-877-964-4646



991 South Gull Lake Dr
Richland, MI 49083
USA



FIXTURE TYPE: _____

PROJECT NAME: _____

HOW TO ORDER:

CODE:

Example:
CODE: BB-1152.00BGST-GH-GH1152-B17-L1-DIM-02

BB-1152.00BGST-
GH-GH1152-B
17-L1-DIM-02

1 MODELS:

-GH1152

DIMENSIONS:

Length - L: 3.62" (9.2 cm)
Width - W: 3.62" (9.2 cm)
Height - H: 3.54" (9.0 cm)

BEAM ANGLE:

-B17 17°
-B27 27°
-B34 34°
-B76 76°x 60°

LIGHT SOURCE:

-L1 LED / 1 x 3.2 W / 3000K / 493 lm / 110-277V / 60 Hz
-L2 LED / 1 x 6.5 W / 3000K / 964 lm / 110-277V / 60 Hz
-LL1 LED / 1 x 3.2 W / 4000K / 534 lm / 110-277V / 60 Hz
-LL2 LED / 1 x 3.2 W / 4000K / 1043 lm / 110-277V / 60 Hz

-GH1153

DIMENSIONS:

Length - L: 3.62" (9.2 cm)
Width - W: 3.62" (9.2 cm)
Height - H: 3.54" (9.0 cm)

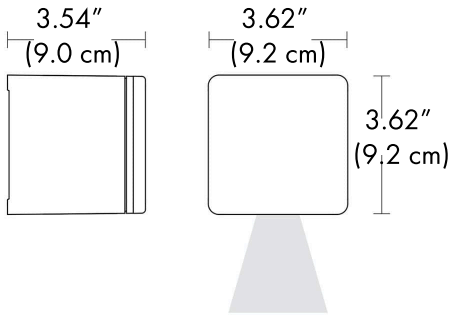
BEAM ANGLE:

-B17 17°
-B27 27°
-B34 34°
-B76 76°x 60°

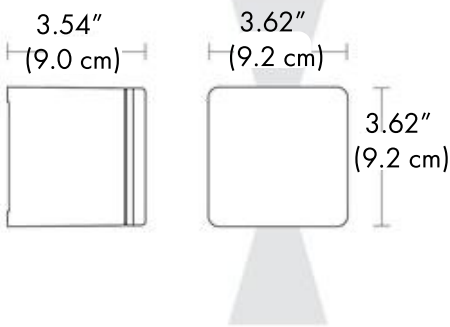
LIGHT SOURCE:

-L1 LED / 2 x 3.2 W / 3000K / 2 x 493 lm / 110-277V / 60 Hz
-L2 LED / 2 x 3.2 W / 4000K / 2 x 534 lm / 110-277V / 60 Hz

-GH1152



-GH1153



THINK BOLLARD - THINK BULLARD

sales@gordonbullard.com

www.bullardbollards.com

1-877-964-4646



991 South Gull Lake Dr

Richland, MI 49083

USA



FIXTURE TYPE: _____

PROJECT NAME: _____

HOW TO ORDER:

CODE:

Example:
CODE: BB-1152.00BGST-GH-GH1152-B17-L1-DIM-02

BB-1152.00BGST-
GH-GH1152-B
17-L1-DIM-02

1 MODELS:

-GH1154

DIMENSIONS:

Length - L: 4.72" (12 cm)
Width - W: 4.72" (12 cm)
Height - H: 4.76" (12.1 cm)

BEAM ANGLE:

-B26 26°
-B34 34°

LIGHT SOURCE:

-L1 LED / 1 x 11.9W / 3000K / 1635 lm / 110-277V / 60 Hz
-L2 LED / 1 x 5.8W / 3000K / 872 lm / 110-277V / 60 Hz
-LL1 LED / 1 x 11.9 W / 4000K / 1768 lm / 110-277V / 60 Hz
-LL2 LED / 1 x 5.8 W / 4000K / 942 lm / 110-277V / 60 Hz

-GH1163

DIMENSIONS:

Length - L: 4.72" (12 cm)
Width - W: 4.72" (12 cm)
Height - H: 4.76" (12.1 cm)

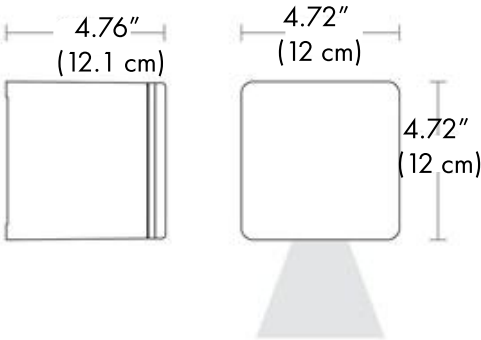
BEAM ANGLE:

-B4 4°

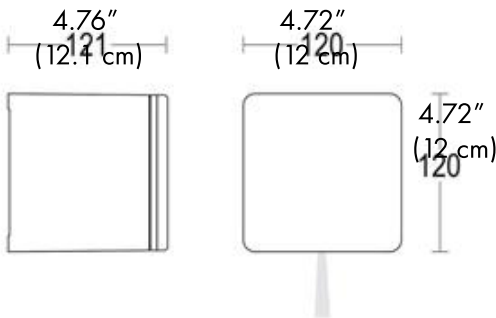
LIGHT SOURCE:

-L1 LED / 1 x 2.5 W / 3000K / 160 lm / 110-277V / 60 Hz
-L2 LED / 1 x 2.5 W / 4000K / 160 lm / 110-277V / 60 Hz

-GH1154



-GH1163



THINK BOLLARD - THINK BULLARD

sales@gordonbullard.com

www.bullardbollards.com

1-877-964-4646



991 South Gull Lake Dr

Richland, MI 49083

USA



**BULLARD
BOLLARDS**
Think Bollard Think Bullard

**CODE:
BB-1152.00BGST-GH**

FIXTURE TYPE: _____

PROJECT NAME: _____

HOW TO ORDER:

CODE:

**Example:
CODE: BB-1152.00BGST-GH-GH1152-B17-
L1-DIM-02**

BB-1152.00BGST-
GH-GH1152-B
17-L1-DIM-02

1 MODELS:

-GH1155

DIMENSIONS:

Length - L: 4.72" (12 cm)
Width - W: 4.72" (12 cm)
Height - H: 4.76" (12.1 cm)

BEAM ANGLE:

-B26 26°
-B34 34°

LIGHT SOURCE:

-L1 LED / 2 x 5.8 W / 3000K / 872 lm / 110-277V / 60 Hz
-L2 LED / 2 x 5.8 W / 4000K / 942 lm / 110-277V / 60 Hz

-GH1159

DIMENSIONS:

Length - L: 4.72" (12 cm)
Width - W: 4.72" (12 cm)
Height - H: 4.76" (12.1 cm)

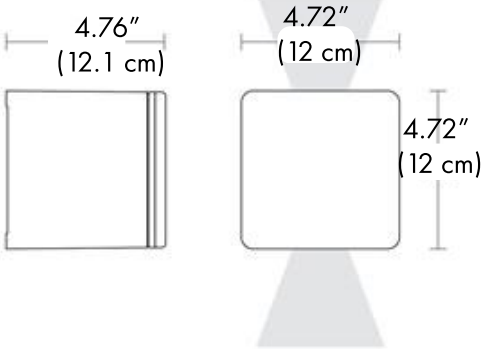
BEAM ANGLE:

-B4 4°

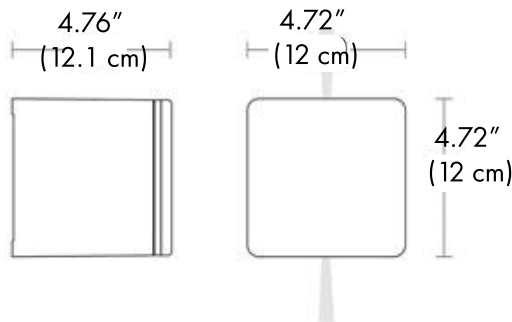
LIGHT SOURCE:

-L1 LED / 2 x 2.5 W / 3000K / 2 x 160 lm / 110-277V / 60 Hz
-L2 LED / 2 x 2.5 W / 4000K / 2 x 160 lm / 110-277V / 60 Hz

-GH1155



-GH1159



LED



IP65



CASAMBI



THINK BOLLARD - THINK BULLARD

sales@gordonbullard.com

www.bullardbollards.com

1-877-964-4646



991 South Gull Lake Dr

Richland, MI 49083

USA



FIXTURE TYPE: _____

PROJECT NAME: _____

HOW TO ORDER:

CODE:

Example:
CODE: BB-1152.00BGST-GH-GH1152-B17-L1-DIM-02

BB-1152.00BGST-
GH-GH1152-B
17-L1-DIM-02

1 MODELS:

-GH1160

DIMENSIONS:

Length - L: 4.72" (12 cm)
Width - W: 4.72" (12 cm)
Height - H: 4.76" (12.1 cm)

BEAM ANGLE:

-B4 4°

LIGHT SOURCE:

-L1 LED / 4 x 2.5 W / 3000K / 4 x 160 lm / 110-277V / 60 Hz
-L2 LED / 4 x 2.5 W / 4000K / 4 x 160 lm / 110-277V / 60 Hz

-GH1341

DIMENSIONS:

Length - L: 7.28" (18.5 cm)
Width - W: 7.28" (18.5 cm)
Height - H: 7.13" (18.1 cm)

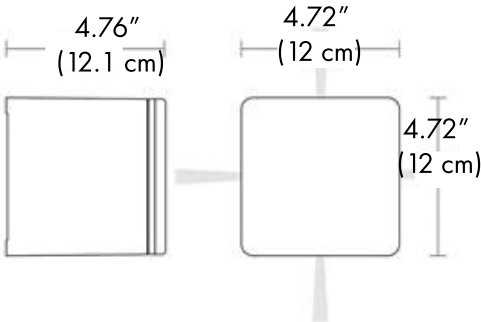
BEAM ANGLE:

-B66 66°

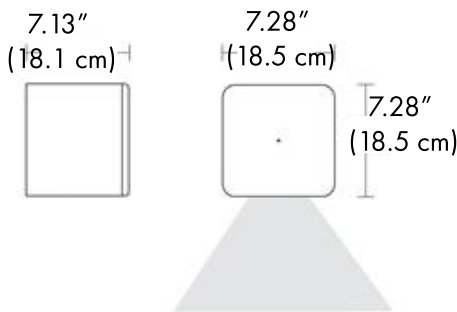
LIGHT SOURCE:

-L1 LED / 1 x 23.7 W / 3000K / 3306 lm / 110-277V / 60 Hz
-L2 LED / 1 x 23.7 W / 4000K / 3555 lm / 110-277V / 60 Hz

-GH1160



-GH1341



THINK BOLLARD - THINK BULLARD

sales@gordonbullard.com

www.bullardbollards.com

1-877-964-4646



991 South Gull Lake Dr

Richland, MI 49083

USA



FIXTURE TYPE: _____

PROJECT NAME: _____

HOW TO ORDER:

CODE:

Example:
CODE: BB-1152.00BGST-GH-GH1152-B17-L1-DIM-02

BB-1152.00BGST-GH-GH1152-B17-L1-DIM-02

1 MODELS:

-GH1343

DIMENSIONS:

Length - L: 7.28" (18.5 cm)
Width - W: 7.28" (18.5 cm)
Height - H: 7.13" (18.1 cm)

BEAM ANGLE:

-B66 66°

LIGHT SOURCE:

- L1 LED / 2 x 23.7 W / 3000K / 2 x 3306 lm / 110-277V / 60 Hz
- L2 LED / 2 x 23.7 W / 4000K / 2 x 3555 lm / 110-277V / 60 Hz

-GH1345

DIMENSIONS:

Length - L: 7.28" (18.5 cm)
Width - W: 7.28" (18.5 cm)
Height - H: 7.13" (18.1 cm)

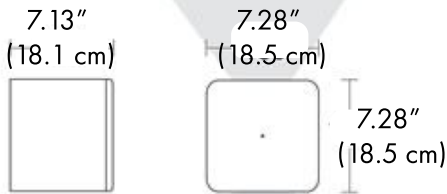
BEAM ANGLE:

-B66 66°

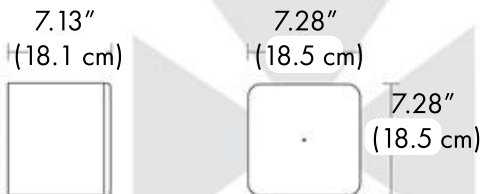
LIGHT SOURCE:

- L1 LED / 4 x 23.7 W / 3000K / 4 x 3306 lm / 110-277V / 60 Hz
- L2 LED / 4 x 23.7 W / 4000K / 4 x 3555 lm / 110-277V / 60 Hz

-GH1343



-GH1345



THINK BOLLARD - THINK BULLARD

sales@gordonbullard.com
www.bullardbollards.com
1-877-964-4646



991 South Gull Lake Dr
Richland, MI 49083
USA



**BULLARD
BOLLARDS**
Think Bullard Think Bullard

**CODE:
BB-1990.00BAAT-GH**

FIXTURE TYPE: _____

PROJECT NAME: _____

NOTES:



HOW TO ORDER:

CODE:

Example:
CODE: BB-1152.00BGST-GH-GH1152-B17-L1-DIM-02

BB-1152.00BGST-
GH-GH1152-B
17-L1-DIM-02

2 DIMMING OPTIONS:

-NON NON-Dimmable

-DIM 0-10V

-CAS Casambi

-DAL Dali

3 FINISH OPTIONS:

-01 White matt

-02 Black matt

-05 Anthracite grey matt

-19 Light grey matt

-26 Bronze

-45 Corten matt

-62 Antique grey matt

-65 Blue matt

-80 Sand matt

-83 Green matt



THINK BOLLARD - THINK BULLARD

sales@gordonbullard.com

www.bullardbollards.com

1-877-964-4646



991 South Gull Lake Dr

Richland, MI 49083

USA