



**BULLARD
BOLLARDS**
Think Bollard Think Bullard

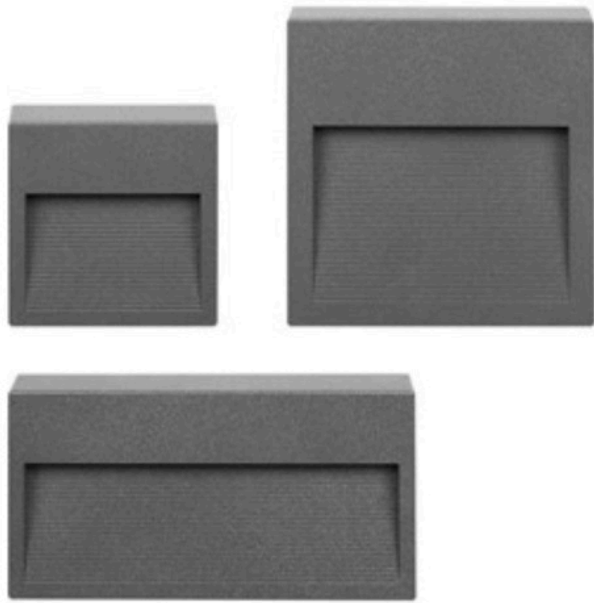
PATH SQ WALL OUTDOOR (SURFACE MOUNTED WALL LUMINAIRES)



FIXTURE TYPE: _____

PROJECT NAME: _____

NOTES:



GENERAL INFORMATION:

Path SQ Wall Outdoor by Bullard Bollards is a sleek outdoor wall light designed to provide soft, indirect illumination for pathways, stairs, and outdoor walkways. Its ultra-slim profile blends seamlessly with modern architecture while delivering efficient LED lighting without glare. Crafted from high-quality die-cast aluminum with a weather-resistant coating, it ensures durability against UV exposure and harsh outdoor conditions. The tempered glass diffuser distributes light evenly, creating a safe and elegant lighting solution for residential and commercial landscapes.

FIXTURE TYPE:

Surface Mounted Wall Luminaires

LIGHTING:

LED

INPUT VOLTAGE:

110-277V

MATERIAL:

Die-cast aluminum EN AB 44100 highly resistant to oxidation

GASKETS:

Silicone gaskets

EXTERNAL SCREWS:

Stainless steel A4-70 treated with highly antioxidant water-repellent lubricating solution

FINISH AND PROTECTION:

Primary treatment with nanoceramic conversion. Protection with textured polyester powder coating resistant to weathering and UV rays

DRIVER POSITION:

Integral

CRI:

>90

IP RATING:

IP65

APPLINCE CLASS:

I

THINK BOLLARD - THINK BULLARD

sales@gordonbullard.com

www.bullardbollards.com

1-877-964-4646



991 South Gull Lake Dr

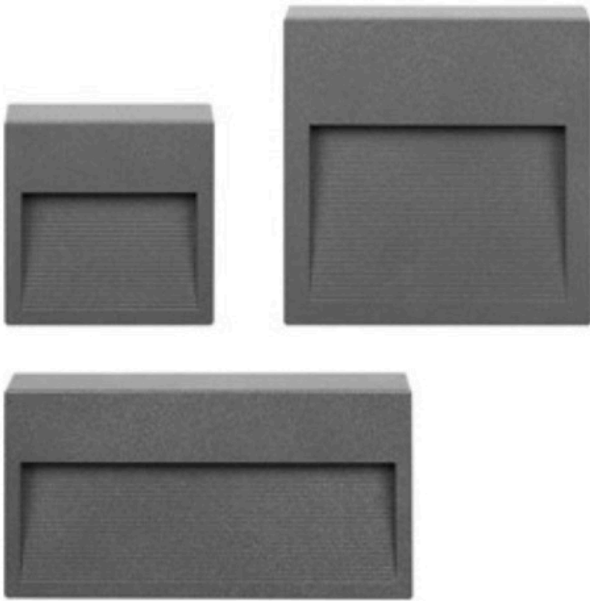
Richland, MI 49083

USA

FIXTURE TYPE: _____

PROJECT NAME: _____

NOTES:



CABLE ENTRY:

IP66 lamellar bushing Ø max 0.9cm

BEAM ANGLE:

-120	42° x 85°
-200	38° x 78°
-240x120	38° x 95°

LIGHT DISTRIBUTION:

Other

BEAM DIRECTIONABILITY:

Fixed optics

DIFFUSER MATERIAL/FINISH:

Tempered glass 0.3cm /Micro-prism

WARRANTY:

LED lighting products are warranted for 5 years.

MAIN FEATURES:

- High visual comfort
- Wide range of finishes
- Functional design
- Minimal design
- Solid and resistant structure
- Operating Temperature: 253.15 K ÷ 308.15 K (-20 °C ÷ +35 °C)
- Increased temperature to 323.15 K (50°C)
- *upon request previous specific components and test



THINK BOLLARD - THINK BULLARD

sales@gordonbullard.com
www.bullardbollards.com
1-877-964-4646



991 South Gull Lake Dr
Richland, MI 49083
USA



FIXTURE TYPE: _____

PROJECT NAME: _____

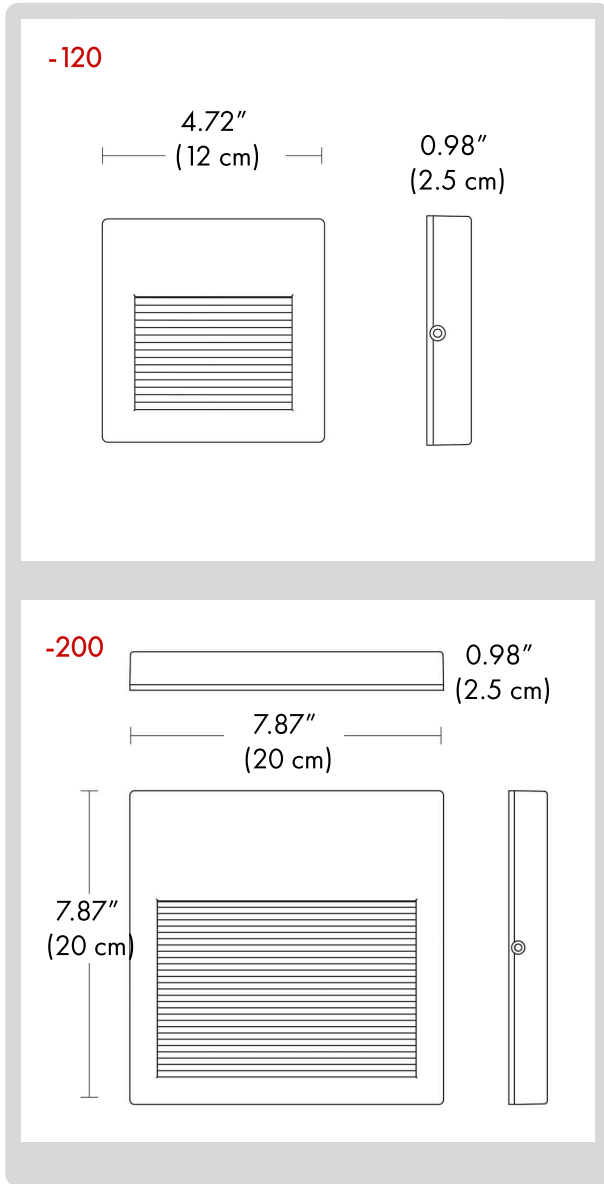
HOW TO ORDER:

CODE:

Example:
CODE: BB-1136.00BGXP-GH-120-K30-DIM-02

BB-1136.00BGXP-GH-120-K30-DIM-02

1 MODELS:



-120

DIMENSIONS:

Height - H: 0.98 " (2.5 cm)
Length - L: 4.72" (12 cm)
Width - W: 4.72" (12 cm)

LIGHT SOURCE:

LED / 1 x 2.9W / 110-277 V / 60 Hz

CCT&LUMENS:

-K30 3000K = 367 lm
-K40 4000K = 389 lm

BEAM ANGLE:

42° x 85°

-200

DIMENSIONS:

Height - H: 0.98" (2.5 cm)
Length - L: 7.87" (20 cm)
Width - W: 7.87" (20 cm)

LIGHT SOURCE:

LED / 1 x 8.7W / 110-277 V / 60 Hz

CCT&LUMENS:

-K30 3000K = 1101 lm
-K40 4000K = 1167 lm

BEAM ANGLE:

38° x 78°



THINK BOLLARD - THINK BULLARD

sales@gordonbullard.com
www.bullardbollards.com
1-877-964-4646

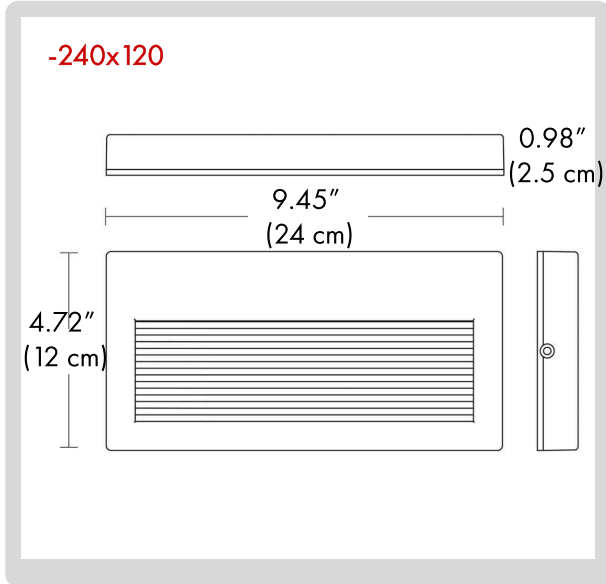


991 South Gull Lake Dr
Richland, MI 49083
USA



FIXTURE TYPE: _____

PROJECT NAME: _____



HOW TO ORDER:

CODE:

Example:
CODE: BB-1136.00BGXP-GH-120-K30-DIM-02

BB-1136.00BGXP-GH-120-K30-DIM-02

1 MODELS:

-240x120

DIMENSIONS:

Height - H: 0.98" (2.5 cm)
Length - L: 9.45" (24 cm)
Width - W: 4.72" (12 cm)

LIGHT SOURCE:

LED / 1 x 8.7W / 110-277 V / 60 Hz

CCT&LUMENS:

-K30 3000K = 1101 lm
-K40 4000K = 1167 lm

BEAM ANGLE:

38° x 95°

2 DIMMING OPTIONS:

-NON NON-Dimmable
-DIM 0-10V
-CAS Casambi
-DAL Dali

3 FINISH OPTIONS:

-01 White matt
-02 Black matt
-05 Anthracite grey matt
-19 Light grey matt
-26 Bronze
-45 Corten matt
-62 Antique grey matt
-65 Blue matt
-80 Sand matt
-83 Green matt



THINK BOLLARD - THINK BULLARD

sales@gordonbullard.com
www.bullardbollards.com
1-877-964-4646



991 South Gull Lake Dr
Richland, MI 49083
USA

HOW TO ORDER:

Example:
CODE: BB-1136.00BGXP-GH-120-K30-DIM-02

CODE:

BB-1136.00BGXP-
GH-120-K30-DIM-02

4 ACCESSORIES:

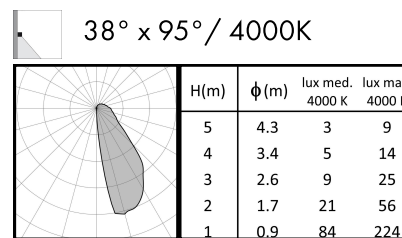
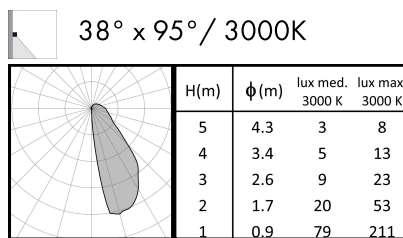
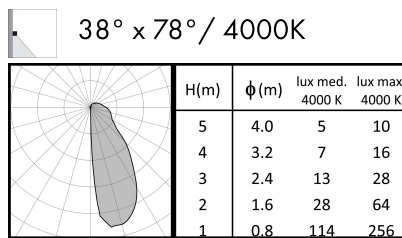
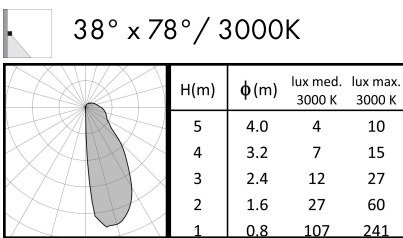
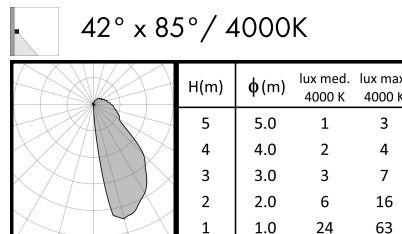
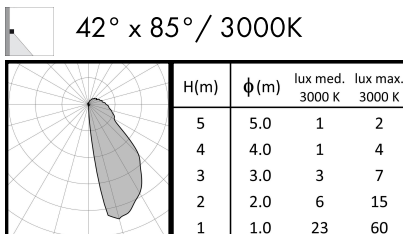
For model 200:

-ED-05

DALI Optional



5 PHOTOMETRY:



THINK BOLLARD - THINK BULLARD

sales@gordonbullard.com

www.bullardbollards.com

1-877-964-4646



991 South Gull Lake Dr

Richland, MI 49083

USA