



**BULLARD
BOLLARDS**
Think Bollard Think Bullard

SUNARA (SURFACE MOUNTED WALL LUMINAIRES)

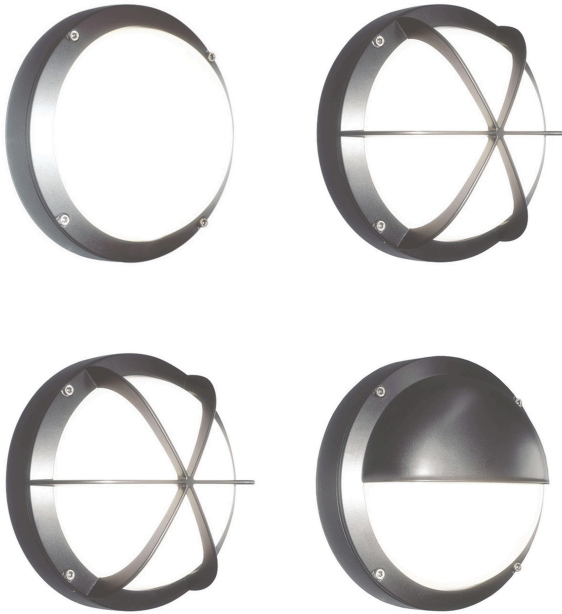




FIXTURE TYPE: _____

PROJECT NAME: _____

NOTES:



GENERAL INFORMATION:

The Sunara wall luminaire is a versatile surface-mounted lighting fixture designed to provide reliable and comfortable illumination for both indoor and outdoor architectural applications. Constructed from durable die-cast aluminum with a high-resistance protective finish, it offers excellent resistance to weathering, oxidation, and UV exposure. The luminaire features either an energy-efficient LED module or E26 lamp option paired with an opal UV-resistant diffuser to deliver soft, evenly distributed light with high visual comfort. With its IP65 rating, silicone gaskets, and multiple design variations and finishes, the BB-0994 combines durability, functionality, and contemporary aesthetics for residential, commercial, and hospitality environments.

FIXTURE TYPE:

Surface Mounted Wall Luminaires

LIGHTING:

LED / E26



INPUT VOLTAGE:

110-277V



MATERIAL:

Die-cast aluminum EN AB 44100 highly resistant to oxidation

GASKETS:

Silicone gaskets

EXTERNAL SCREWS:

Stainless steel A4-70 treated with highly antioxidant water-repellent lubricating solution

FINISH AND PROTECTION:

Primary treatment with nanoceramic conversion. Protection with textured polyester powder coating resistant to weathering and UV rays

DRIVER POSITION:

Integral

THINK BOLLARD - THINK BULLARD

sales@gordonbullard.com
www.bullardbollards.com
1-877-964-4646



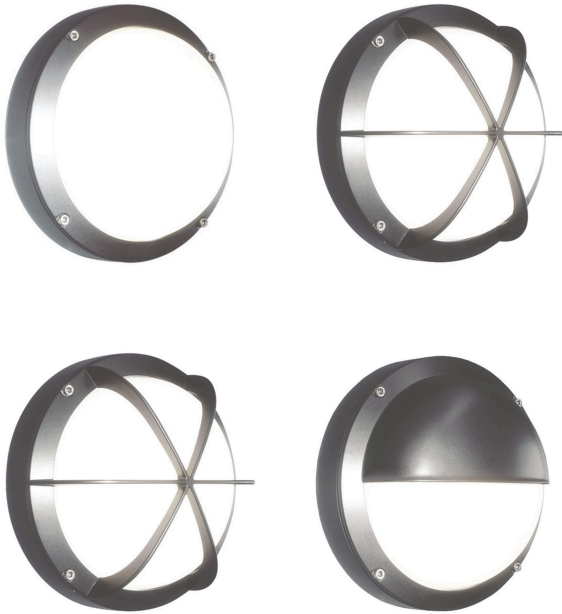
991 South Gull Lake Dr
Richland, MI 49083
USA



FIXTURE TYPE: _____

PROJECT NAME: _____

NOTES:



CRI:

>90

IP RATING:

IP65

IP65

BEAM ANGLE / LIGHT DISTRIBUTION:

145° / Diffuse - Half spherical
134°
138° x 91° (L2 / L3)

BEAM DIRECTIONABILITY:

Fixed optics

DIFFUSER MATERIAL/FINISH:

UV resistant polycarbonate / Opal

WARRANTY:

LED lighting products are warranted for 5 years.

MAIN FEATURES:

- High visual comfort
- Wide range of finishes
- Functional design
- Minimal design
- Reduced overhang
- Operating Temperature: 253.15 K ÷ 308.15 K (-20 °C ÷ +35 °C)
- Increased temperature to 323.15 K (50°C)
- * upon request previous specific components and test

THINK BOLLARD - THINK BULLARD

sales@gordonbullard.com
www.bullardbollards.com
1-877-964-4646

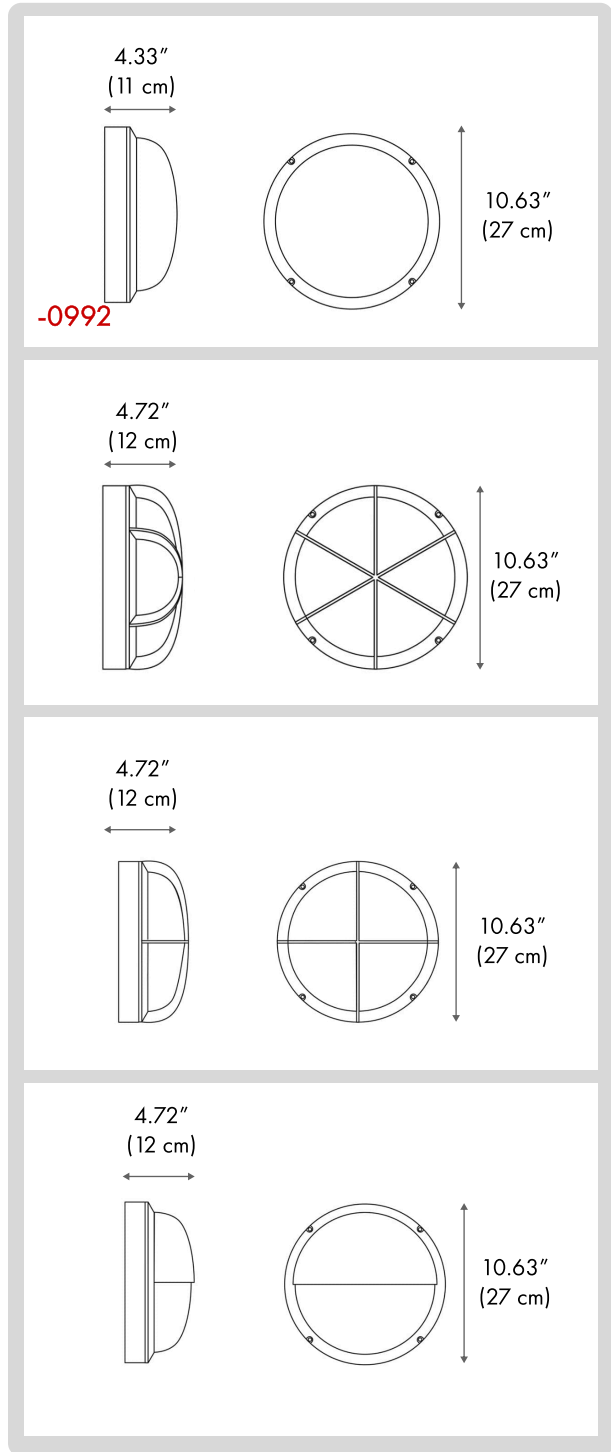


991 South Gull Lake Dr
Richland, MI 49083
USA



FIXTURE TYPE: _____

PROJECT NAME: _____



HOW TO ORDER:

CODE:

Example:
CODE: BB-0994.00BRXO-GH-0992-L2-B1
-DIM-02

BB-0994.00BRXO
-GH-0992-L2-B1
-DIM-02

1 MODELS:

-0992

DIMENSIONS:

Diameter - Ø: 10.63" (27 cm)
Depth - P: 4.33" (11 cm)

2 LIGHT SOURCE:

- L1** E26 / 57W / 110-277 V / 60 Hz
- L2** LED / 1 x 12.5W / 3000K / 1 x 1713 lm
- L3** LED / 1 x 12.5W / 4000K / 1 x 1805 lm

3 BEAM ANGLE:

- B1** 145° (FOR L1)
- B2** 134° (L2 / L3)

4 DIMMING OPTIONS (FOR L1 / L2):

- NON** NON-Dimmable
- DIM** 0-10V
- CAS** Casambi
- DAL** Dali

5 FINISH OPTIONS:

- 01** White matt 
- 02** Black matt 
- 05** Anthracite grey matt 
- 19** Light grey matt 
- 26** Bronze 
- 45** Corten matt 
- 62** Antique grey matt 
- 65** Blue matt 
- 80** Sand matt 
- 83** Green matt 

THINK BOLLARD - THINK BULLARD

sales@gordonbullard.com
www.bullardbollards.com
1-877-964-4646

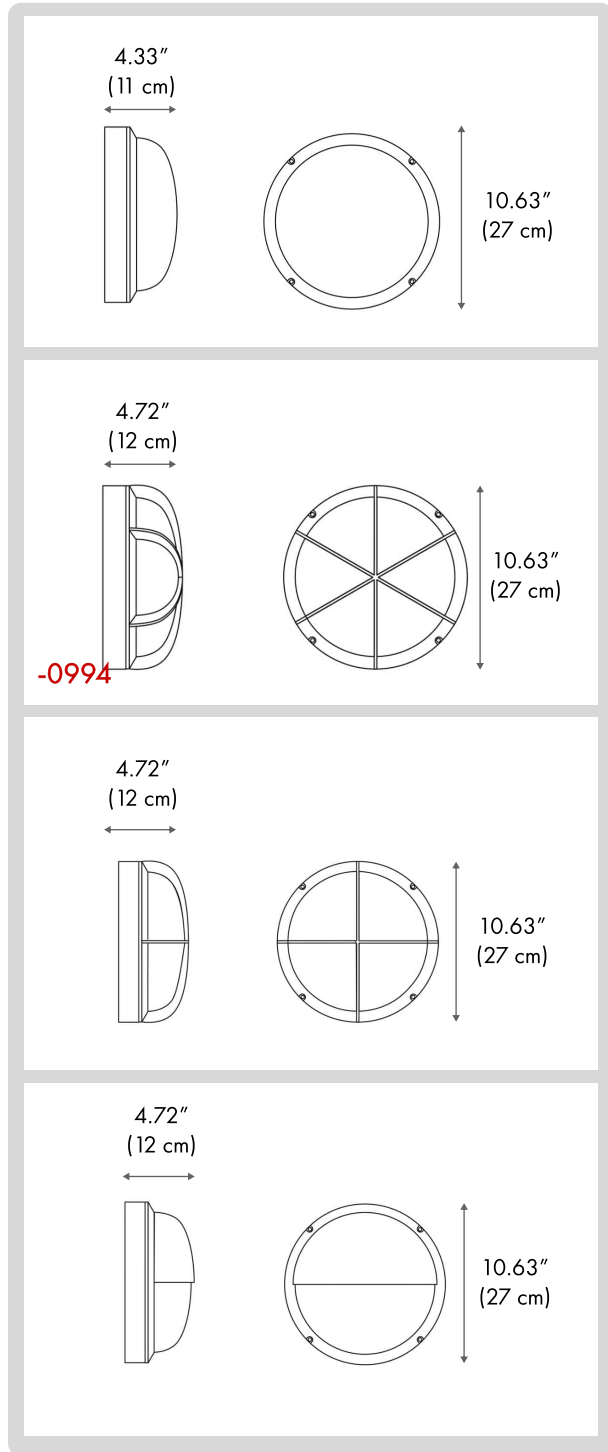


991 South Gull Lake Dr
Richland, MI 49083
USA



FIXTURE TYPE: _____

PROJECT NAME: _____



HOW TO ORDER:

CODE:

Example:
CODE: BB-0994.00BRXO-GH-0992-L2-B1
-DIM-02

BB-0994.00BRXO
-GH-0992-L2-B1
-DIM-02

1 MODELS:

-0994

DIMENSIONS:

Diameter - Ø: 10.63" (27 cm)
Depth - P: 4.72" (12 cm)

2 LIGHT SOURCE:

- L1** E26 / 57W / 110-277 V / 60 Hz
- L2** LED / 1 x 12.5W / 3000K / 1 x 1713 lm
- L3** LED / 1 x 12.5W / 4000K / 1 x 1805 lm

3 BEAM ANGLE:

- B1** 145° (FOR L1)
- B2** 134° (L2 / L3)

4 DIMMING OPTIONS (FOR L1 / L2):

- NON** NON-Dimmable
- DIM** 0-10V
- CAS** Casambi
- DAL** Dali

5 FINISH OPTIONS:

- 01** White matt
- 02** Black matt
- 05** Anthracite grey matt
- 19** Light grey matt
- 26** Bronze
- 45** Corten matt
- 62** Antique grey matt
- 65** Blue matt
- 80** Sand matt
- 83** Green matt



THINK BOLLARD - THINK BULLARD

sales@gordonbullard.com
www.bullardbollards.com
1-877-964-4646

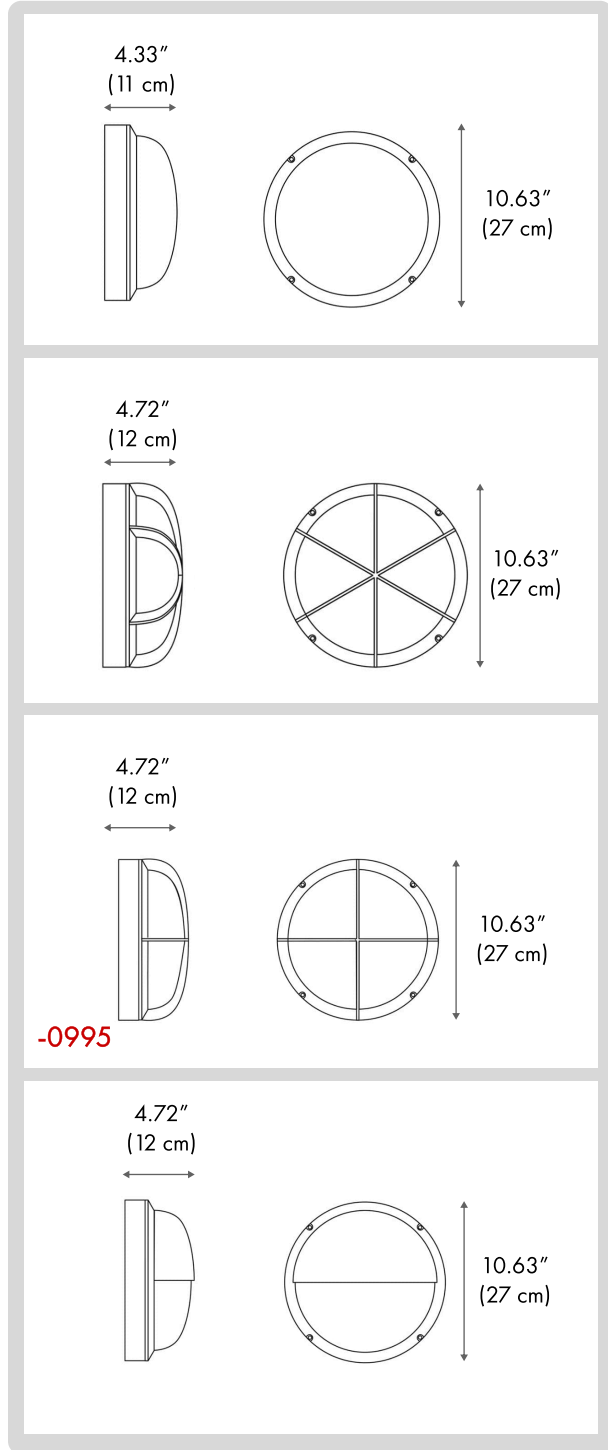


991 South Gull Lake Dr
Richland, MI 49083
USA



FIXTURE TYPE: _____

PROJECT NAME: _____



HOW TO ORDER:

CODE:

Example:
CODE: BB-0994.00BRXO-GH-0992-L2-B1
-DIM-02

BB-0994.00BRXO
-GH-0992-L2-B1
-DIM-02

1 MODELS:

-0995

DIMENSIONS:

Diameter - Ø: 10.63" (27 cm)
Depth - P: 4.72" (12 cm)

2 LIGHT SOURCE:

- L1** E26 / 57W / 110-277 V / 60 Hz
- L2** LED / 1 x 12.5W / 3000K / 1 x 1713 lm
- L3** LED / 1 x 12.5W / 4000K / 1 x 1805 lm

3 BEAM ANGLE:

- B1** 145° (FOR L1)
- B2** 134° (L2 / L3)

4 DIMMING OPTIONS (FOR L1 / L2):

- NON** NON-Dimmable
- DIM** 0-10V
- CAS** Casambi
- DAL** Dali

5 FINISH OPTIONS:

- 01** White matt
- 02** Black matt
- 05** Anthracite grey matt
- 19** Light grey matt
- 26** Bronze
- 45** Corten matt
- 62** Antique grey matt
- 65** Blue matt
- 80** Sand matt
- 83** Green matt



THINK BOLLARD - THINK BULLARD

sales@gordonbullard.com
www.bullardbollards.com
1-877-964-4646

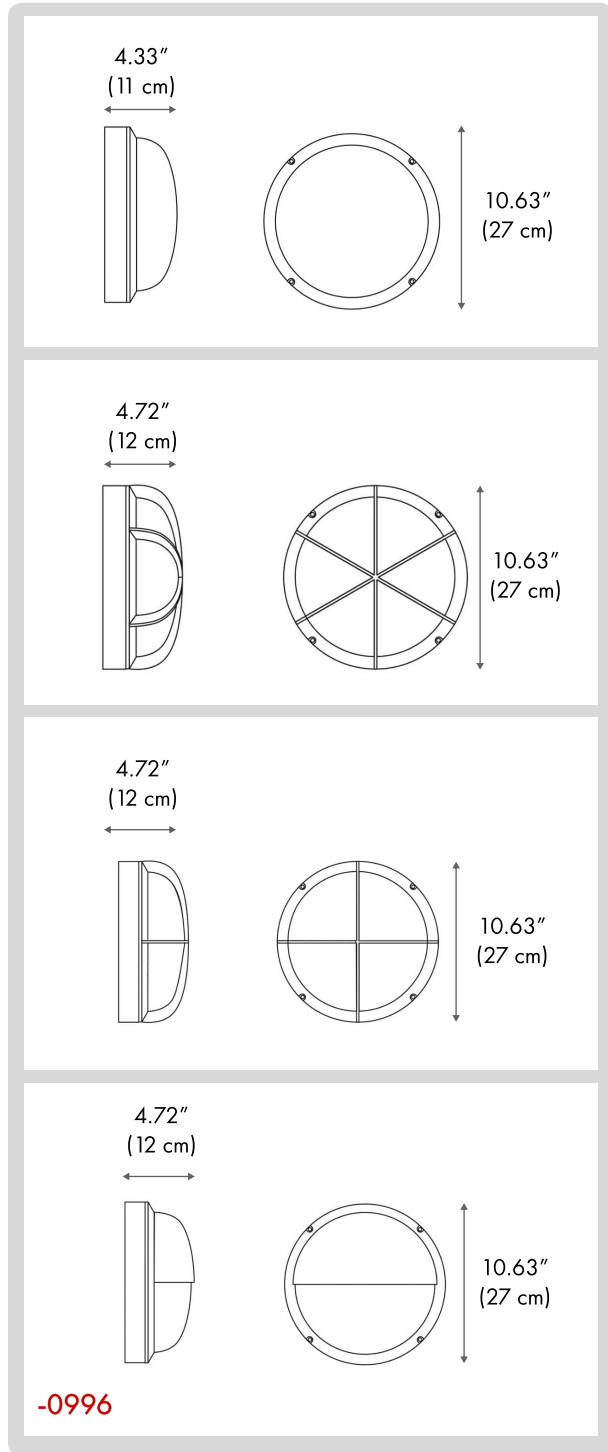


991 South Gull Lake Dr
Richland, MI 49083
USA



FIXTURE TYPE: _____

PROJECT NAME: _____



HOW TO ORDER:

CODE:

Example:
CODE: BB-0994.00BRXO-GH-0992-L2-B1
-DIM-02

BB-0994.00BRXO
-GH-0992-L2-B1
-DIM-02

1 MODELS:

-0996

DIMENSIONS:

Diameter - Ø: 10.63" (27 cm)
Depth - P: 4.72" (12 cm)

2 LIGHT SOURCE:

- L1** E26 / 57W / 110-277 V / 60 Hz
- L2** LED / 1 x 12.5W / 3000K / 1 x 1713 lm
- L3** LED / 1 x 12.5W / 4000K / 1 x 1805 lm

3 BEAM ANGLE:

- B1** 145° (FOR L1)
- B2** 138° x 91° (L2 / L3)

4 DIMMING OPTIONS (FOR L1 / L2):

- NON** NON-Dimmable
- DIM** 0-10V
- CAS** Casambi
- DAL** Dali

5 FINISH OPTIONS:

- 01** White matt
- 02** Black matt
- 05** Anthracite grey matt
- 19** Light grey matt
- 26** Bronze
- 45** Corten matt
- 62** Antique grey matt
- 65** Blue matt
- 80** Sand matt
- 83** Green matt



THINK BOLLARD - THINK BULLARD

sales@gordonbullard.com
www.bullardbollards.com
1-877-964-4646



991 South Gull Lake Dr
Richland, MI 49083
USA