



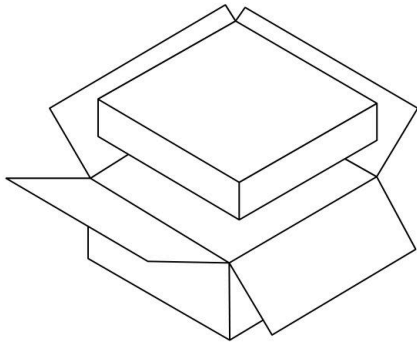
**BULLARD
BOLLARDS**
Think Bollard Think Bullard



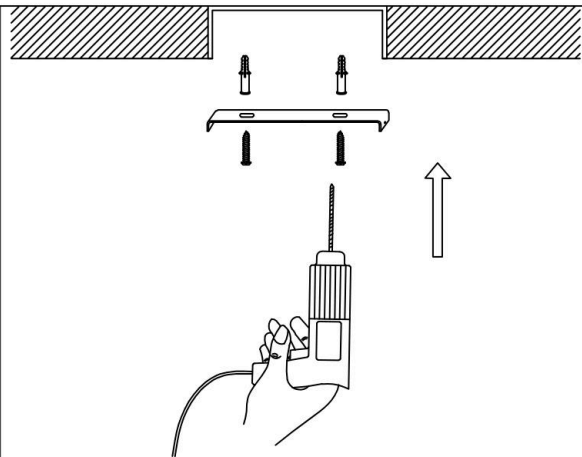
BIGA STRING COLLECTION

INSTALLATION TYPE:
PENDANT-MOUNT

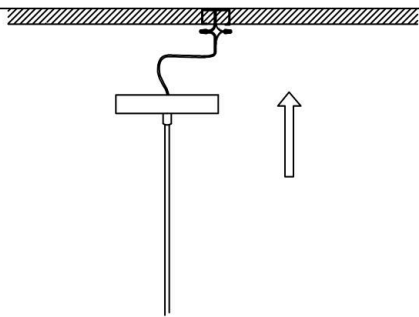




1. Take out the lamps and find the corresponding accessories.



2. Take out the hanging board and fix it on the ceiling according to the picture.



3. Connect the main power line.



4. Link and fix the lamp body and the hanging plate.

5. Turn on the light and try to light it.

