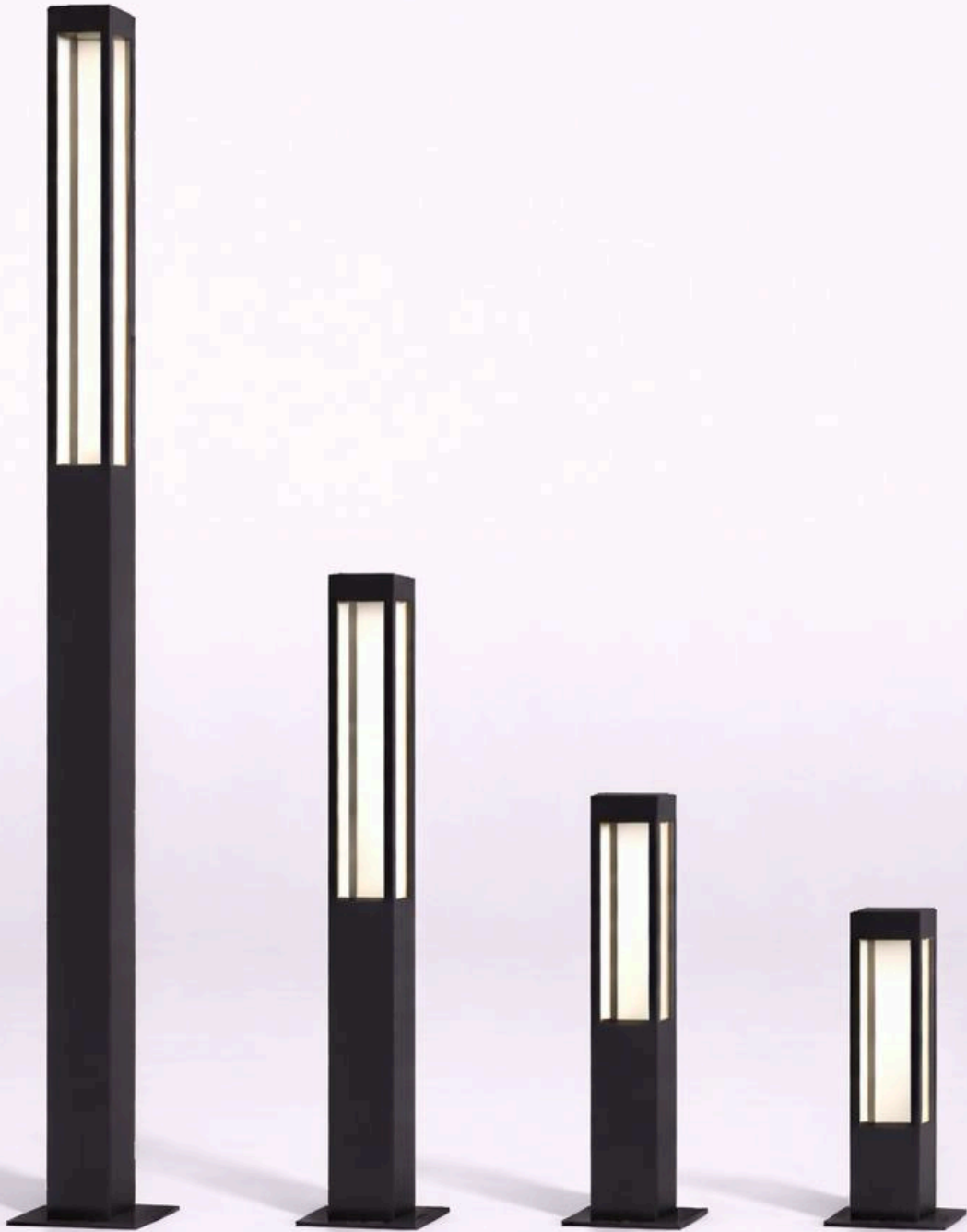




**BULLARD
BOLLARDS**
Think Bollard Think Bullard

THE PROPUS
BB-PRP-BL





**BULLARD
BOLLARDS**
Think Bullard Think Bullard

**CODE:
BB-PRP-BL**

FIXTURE TYPE: _____

PROJECT NAME: _____



GENERAL INFORMATION:

The Propus from Bullard Bollards is a modern, architecturally designed bollard light that enhances outdoor spaces with both functionality and aesthetics. Crafted with durability in mind, it features a sleek, minimalistic structure that provides efficient, glare-free illumination, making it ideal for pathways, parks, and commercial landscapes. Built with high-quality materials, The Propus is designed to withstand harsh weather conditions while maintaining its stylish appearance. Its energy-efficient LED lighting ensures long-lasting performance, offering both security and elegance to any environment.

FIXTURE TYPE:

Bollard

VOLTAGE:

110-277V



MATERIAL:

Die-casting powder coated aluminum.

IP RATING:

IP 65



LENS:

PMMA

WARRANTY:

LED lighting products are warranted for 5 years.

DRIVER POSITION:

Remote

MAIN FEATURES:

- High visual comfort
- Available in a wide range of finishes
- Functional and minimalistic design
- Shock-resistant construction
- Operating Temperature: -104°F to +140°F.

LIGHTING DISTRIBUTIONS:

36°

THINK BOLLARD - THINK BULLARD

sales@gordonbullard.com
www.bullardbollards.com
1-877-964-4646



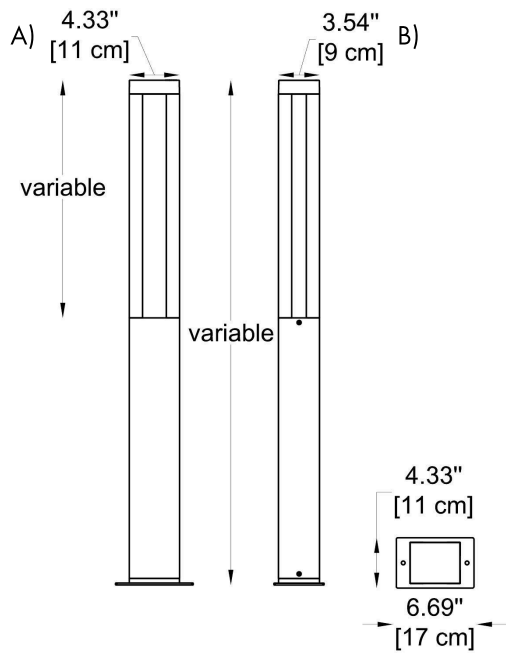
991 South Gull Lake Dr
Richland, MI 49083
USA



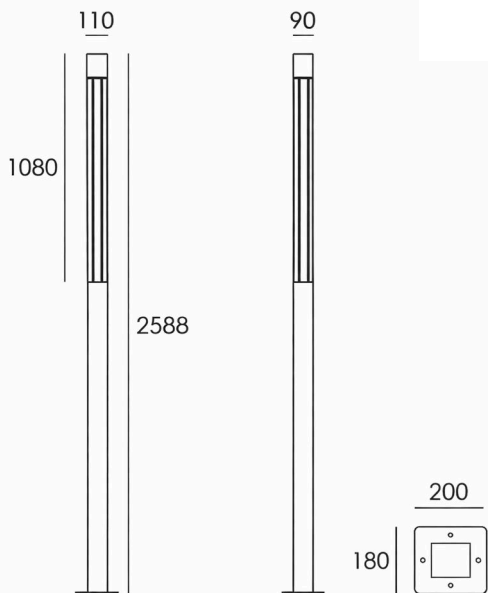
FIXTURE TYPE: _____

PROJECT NAME: _____

Dimensions for H1, H2 and H3



Dimensions for H4



HOW TO ORDER:

CODE:

Example:
CODE: BB-PRP-BL-H1-L1-20-30K-DIM-SB

BB-PRP-BL-H1-L1-
20-30K-DIM-SB

1 BODY HEIGHT:

- H1 H: 15.75" (40 cm)
- H2 H: 27.56" (70 cm)
- H3 H: 43.31" (110 cm)
- H4 H: 98.82" (251 cm)

2 BODY LENGTH & WIDTH:

A) L: 4.33" (11 cm) x B) W: 3.54" (9 cm)

3 LIGHT SOURCE:

- L1 LED / 10W / 49 mA / 329 lm / 110-277V
**available only for H1 and H2*
- L2 LED / 18W / 89 mA / 679 lm / 110-277V
**available only for H3 and H4*

4 LIGHT DISTRIBUTIONS:

- 20 20°
- 28 28°
- 36 36°
- 60 60°

5 CCT:

- 30K 3000K
- 40K 4000K
- 50K 5000K
- CUS Custom on request

6 DIMMING OPTIONS:

- NON NON-Dimmable
- DIM 0-10V
- CAS Casambi
- LUT Lutron
- DAL Dali

THINK BOLLARD - THINK BULLARD

sales@gordonbullard.com
www.bullardbollards.com
1-877-964-4646

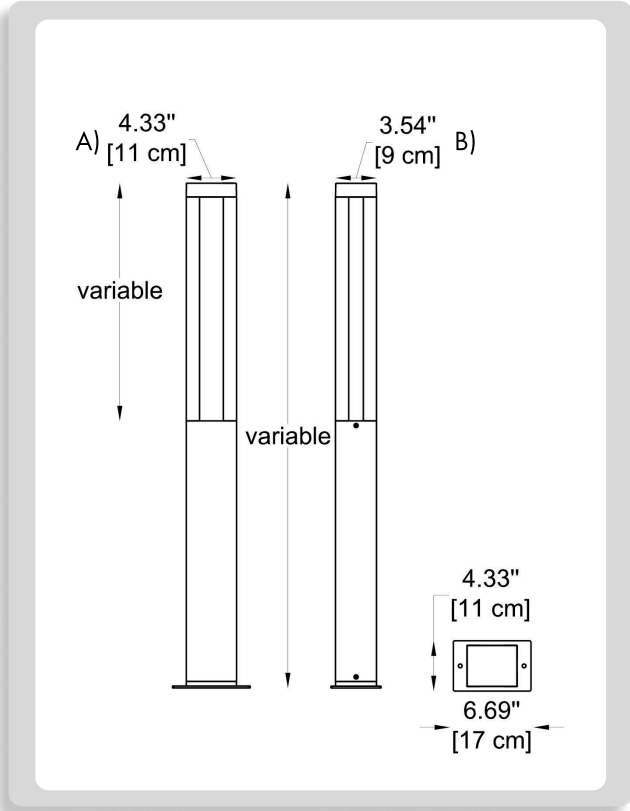


991 South Gull Lake Dr
Richland, MI 49083
USA



FIXTURE TYPE: _____

PROJECT NAME: _____



HOW TO ORDER:

CODE:

Example:
CODE: BB-PRP-BL-H1-L1-20-30K-DIM-SB

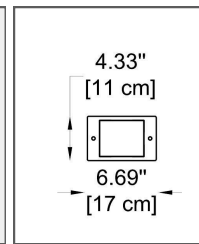
BB-PRP-BL-H1-L1-20-30K-DIM-SB

7 FINISH OPTIONS:

- SB Sanded Black (RAL 9005)
- DG Sanded Dark Grey (Kap 7037)
- LSG Sanded Bronze (KAP 7008)
- CUS Custom on request*

8 INSTALLATION BASE:

Flange Base (included)*
Flange base is a basic part you need to assemble the landing base.

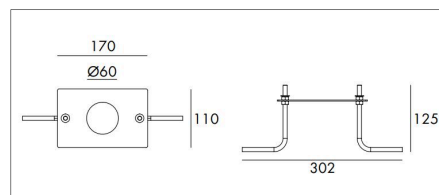


Lenght: L: 11.89" (30.2 cm)
Height: H: 4.92" (12.5 cm)
Width: W: 4.33" (11 cm)
Diameter: Ø: 2.36" (6 cm)

Inground Base (option)

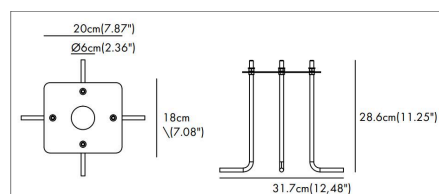


-JC3004 (FOR H3 MODELS)



Lenght: L: 11.89" (30.2 cm)
Height: H: 4.92" (12.5 cm)
Width: W: 4.33" (11 cm)
Diameter: Ø: 2.36" (6 cm)

-JC3005 (FOR H4 MODEL)



Lenght: L: 12.48" (31.7 cm)
Height: H: 28.6" (11.25 cm)
Width: W: 7.08" (18 cm)
Diameter: Ø: 2.36" (6 cm)

THINK BOLLARD - THINK BULLARD

sales@gordonbullard.com
www.bullardbollards.com
1-877-964-4646



991 South Gull Lake Dr
Richland, MI 49083
USA

FIXTURE TYPE: _____

PROJECT NAME: _____

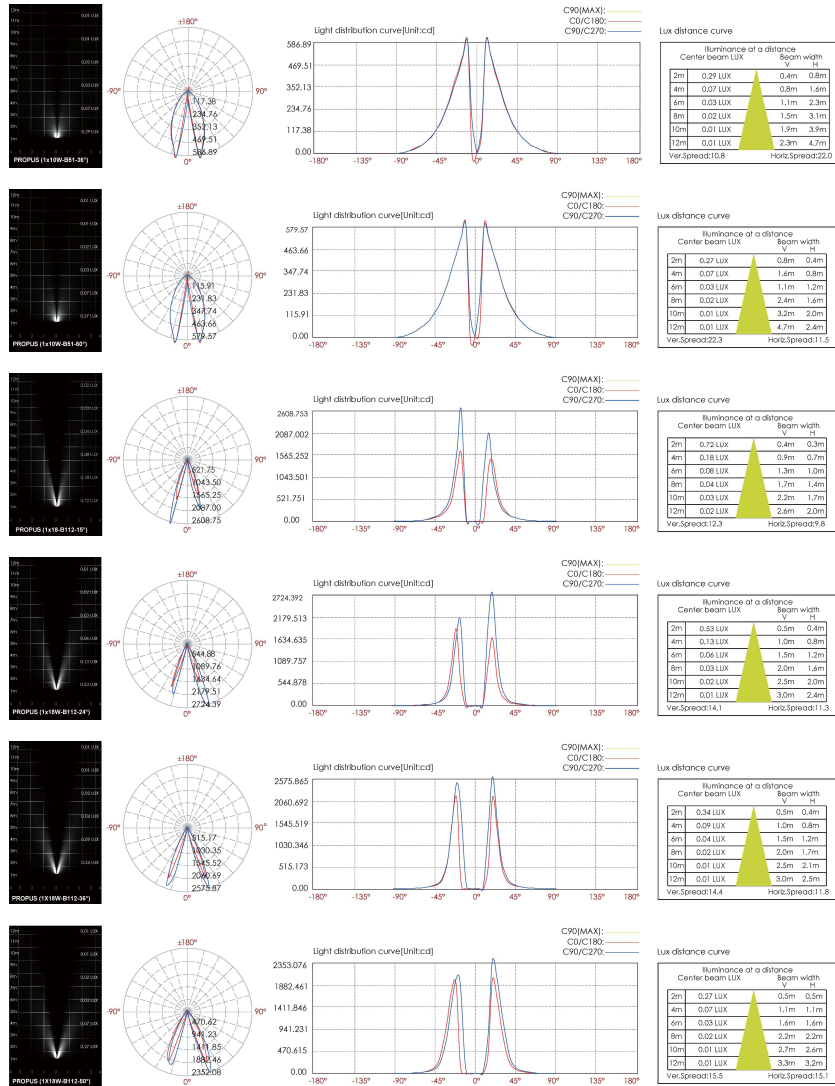
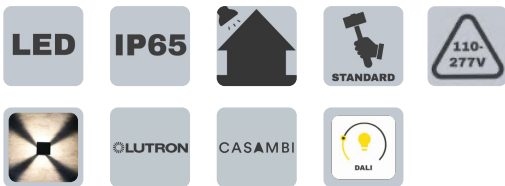
HOW TO ORDER:

CODE:

**Example:
CODE: BB-PRP-BL-H1-L1-20-30K-DIM-SB**

**BB-PRP-BL-H1-L1-
20-30K-DIM-SB**

PHOTOMETRICS:



THINK BOLLARD - THINK BULLARD

sales@gordonbullard.com
www.bullardbollards.com
1-877-964-4646



991 South Gull Lake Dr
Richland, MI 49083
USA