



**BULLARD  
BOLLARDS**  
Think Bollard Think Bullard

INSTALLATION INSTRUCTION

# ERROT WALL COLLECTION

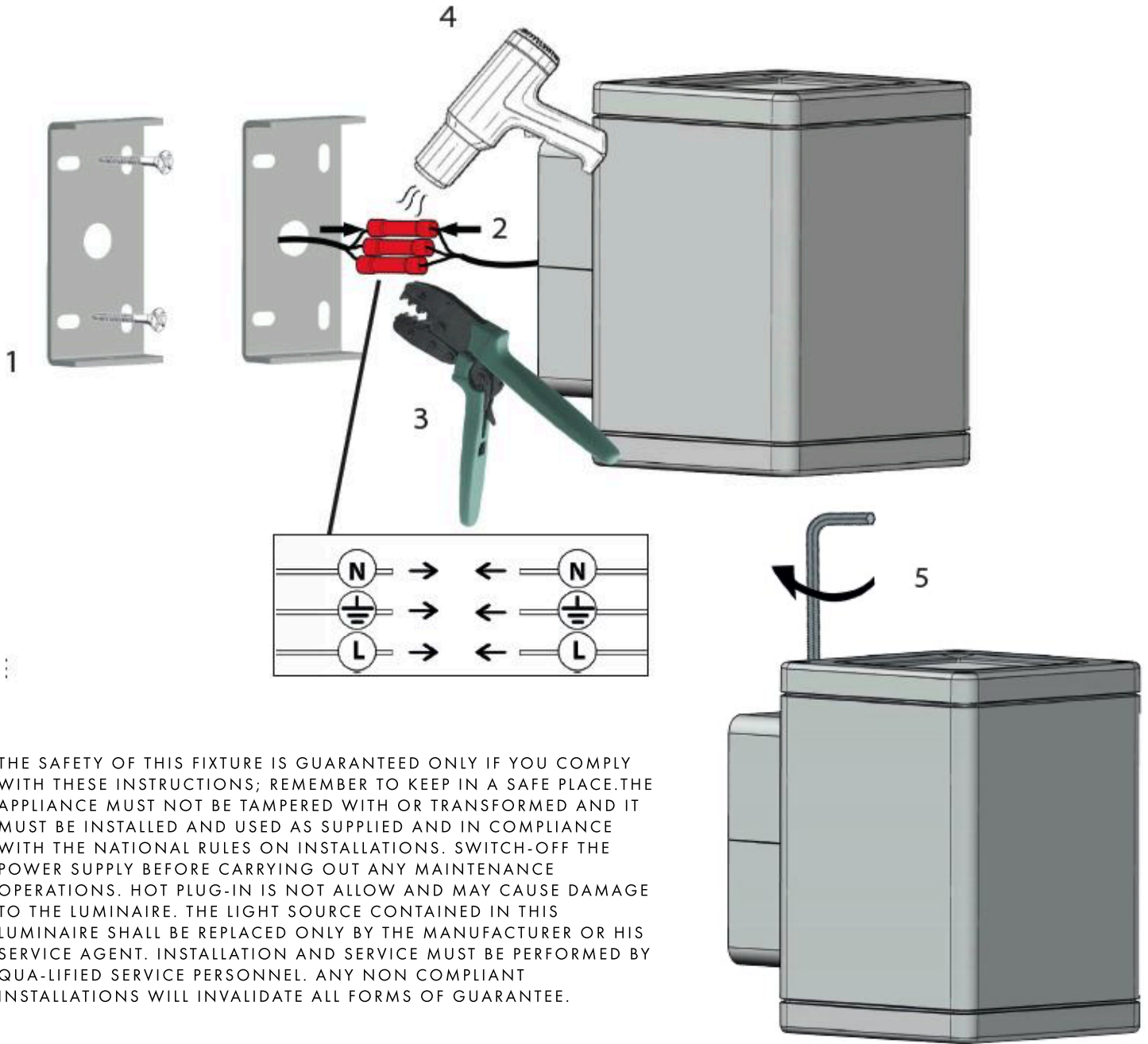
INSTALLATION TYPE:  
WALL SURFACE



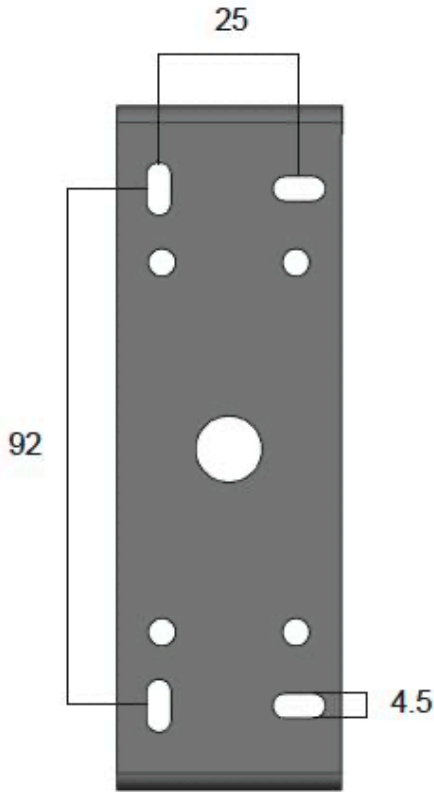
03/09/2026

**INSTALLATION INSTRUCTIONS FOR NEXT MODELS:**

1L125	1L204
2L125	2L204
1L125L	1L204L
2L125L	2L204L

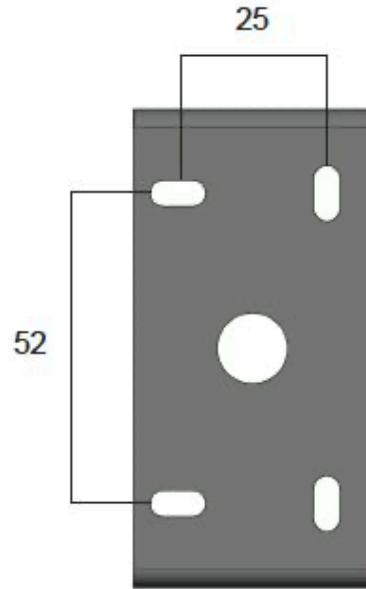


THE SAFETY OF THIS FIXTURE IS GUARANTEED ONLY IF YOU COMPLY WITH THESE INSTRUCTIONS; REMEMBER TO KEEP IN A SAFE PLACE. THE APPLIANCE MUST NOT BE TAMPERED WITH OR TRANSFORMED AND IT MUST BE INSTALLED AND USED AS SUPPLIED AND IN COMPLIANCE WITH THE NATIONAL RULES ON INSTALLATIONS. SWITCH-OFF THE POWER SUPPLY BEFORE CARRYING OUT ANY MAINTENANCE OPERATIONS. HOT PLUG-IN IS NOT ALLOW AND MAY CAUSE DAMAGE TO THE LUMINAIRE. THE LIGHT SOURCE CONTAINED IN THIS LUMINAIRE SHALL BE REPLACED ONLY BY THE MANUFACTURER OR HIS SERVICE AGENT. INSTALLATION AND SERVICE MUST BE PERFORMED BY QUA-LIFIED SERVICE PERSONNEL. ANY NON COMPLIANT INSTALLATIONS WILL INVALIDATE ALL FORMS OF GUARANTEE.



FOR NEXT MODELS:

- 1L204
- 2L204
- 1L204L
- 2L204L

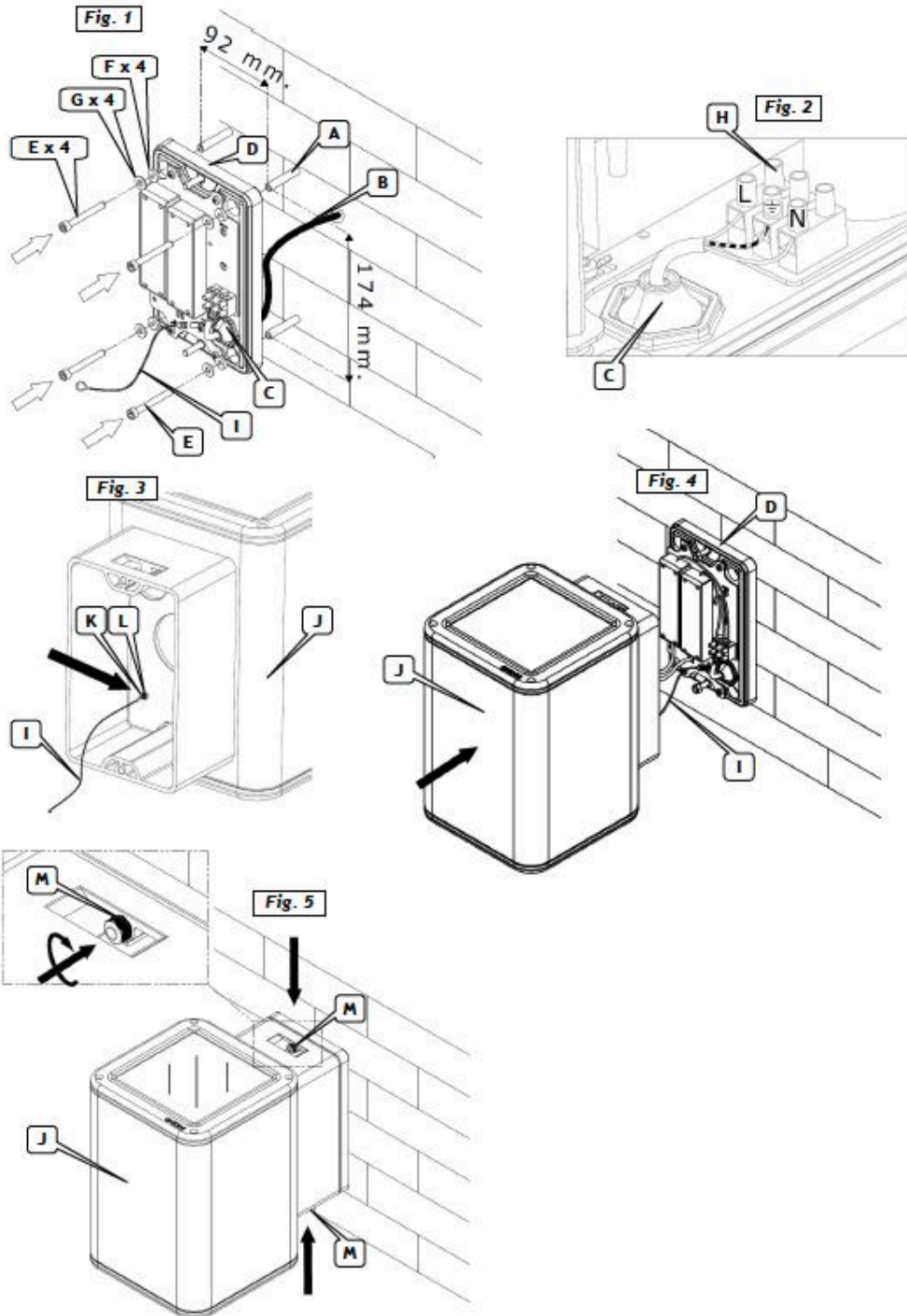


FOR NEXT MODELS:

- 1L125
- 2L125
- 1L125L
- 2L125L

INSTALLATION INSTRUCTIONS FOR NEXT MODELS:

1L280  
 2L280  
 1L280L  
 2L280L



[sales@gordonbullard.com](mailto:sales@gordonbullard.com)  
[www.bullardbollards.com](http://www.bullardbollards.com)  
 1 877-964-4646


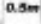




991 South Gull Lake Dr.  
 Richland, MI 49083  
 USA

**WARNING:**

- Installation work must only be carried out by skilled, authorised staff.
- Keep these instructions in a safe place even after installation.


**GENERAL INSTRUCTIONS**

- Use only lamps with power and of the type stated in the appliance's nameplate data.
- Warning: Make sure power has been disconnected before connecting up the equipment to the mains, during assembly, when replacing valves or before other operations on the equipment.
- The appliance only operates if supplied at the voltage stated on its nameplate.
- The appliance is suitable for direct installation on surfaces that are normally inflammable 
- Observe the minimum distance from illuminated objects. 
- The appliance is classified as **CLASS I**: Connect to the earth circuit of the electric system
- The appliance is **NOT** suitable for cascade operation.
- The appliance is suitable for indoor and outdoor operation.
- Use only lamps with built-in UV protection (halogen). 
- **"The equipment must be used only if complete with protective screen(s)"** 
- If the glass breaks, please contact BULLARD BOLLARDS -
- For replacement LED please contact BULLARD BOLLARDS

**STEP 1**

Make four holes to insert the 4 plugs (A) with centre to centre as shown in **FIG 1**.  
**We recommend "Fischer" metal M5 plugs with Class min. 8.8. screws** For a correct application we recommend you to: Choose the correct length and type of plug in relation to the load (weight of equipment Max 9Kg + surface exposed to wind 0.1 m<sup>2</sup>) and to support (concrete-brick full-double UNI, etc..).

**STEP 2**

Hold cable (B) protruding from wall (H05RN-F) and insert it into the cable holder M20 (C) placed on the box (D)  
 Take the wall box (D) and position it over the holes with plugs already inserted into the wall, begin to screw in the 4 screws (E) (recommended M6). Remember to position the 4 washers (G) and 4 rubber washers (F) between the box (D) and the 4 screws (E). Proceed with wiring of the female knife switch (G) as shown in **FIG 2**.  
**Cable (B) can be H05RN-F <HAR> 3 conductors section 1mm<sup>2</sup>.**  
**L** ⇒ line conductor - brown.  
 ⇒ earth conductor yellow/green.  
**N** ⇒ neutral conductor blue.

**STEP 3**

Connect the ground wire (I) screw into the hole located on the body (J) using screw M4 (K) and washer (L). **FIG.3.**

**STEP 4**

Fit the body(I) by placing it perfectly above the box(B) **.FIG 4**  
 Lock the body (J) at the top and bottom with the 2 nuts supplied (M), as shown in **FIG.5**  
 Remember to check orientation: the light sources must be in the direction required

**WARNING: Make sure power has been disconnected before connecting up the equipment to the mains, during assembly, when replacing valves or before other operations on the equipment.**