

BULLARD
BOLLARDS

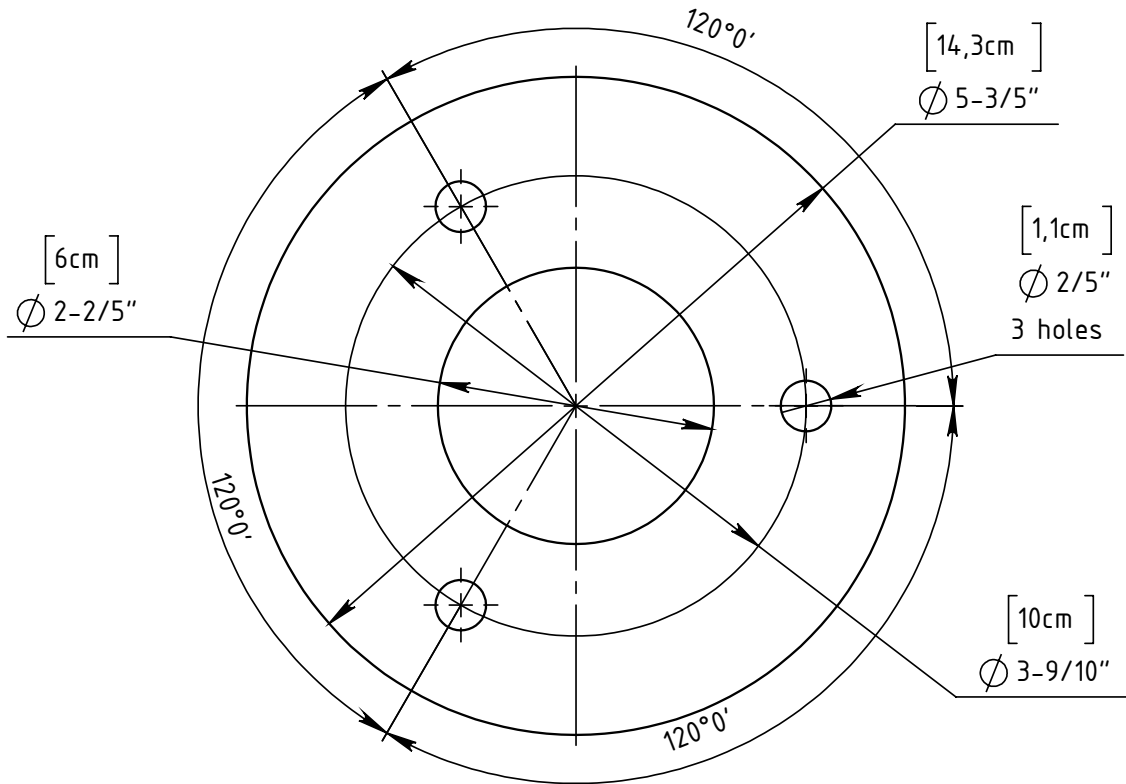
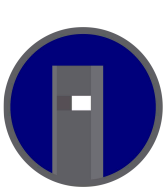


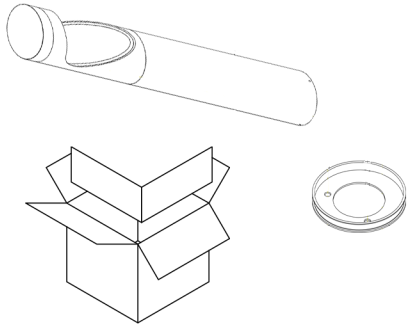
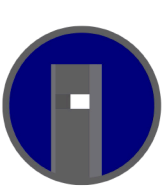
OREL-BB-1500-UL **Installation Instructions**

sales@gordonbullard.com
www.bullardbollards.com
1-877-964-4646

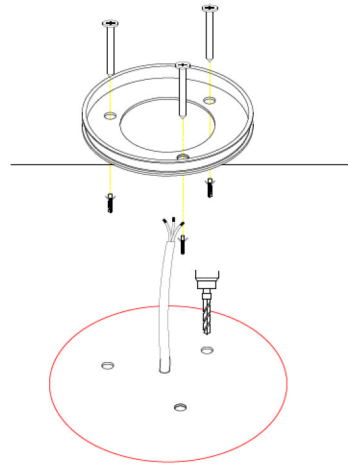


991 South Gull Lake Dr
Richland, MI 49083
USA

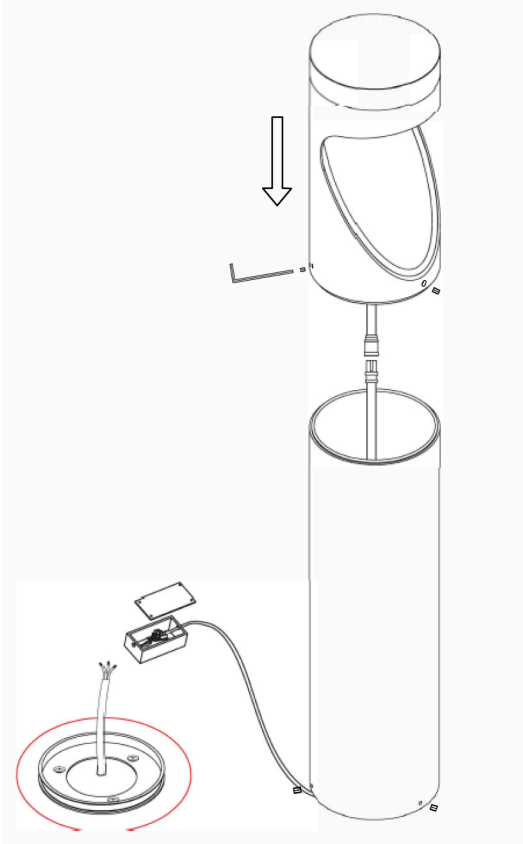




1. Take out the lamps and find the corresponding accessories.



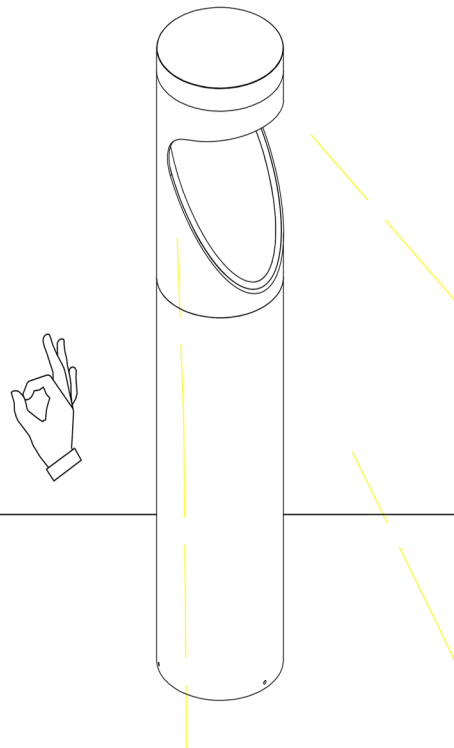
2. Fix the expansion screw to the concrete

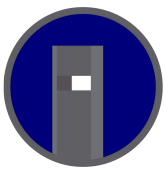


4. Connect the power cord through the three-core waterproof connector.

5. Align the hole position of the lamp body with the expansion screw to fix it

6. Installation of your fixture completed



**WARNING:**

- The safety of this fixture is guaranteed only if you comply with these instructions.
- The appliance must not be tampered with or transformed and it must be installed and used as supplied and in compliance with the national rules on installations.
- Switch-off the power supply before carrying out any maintenance operations. hot plug-in is not allow and may cause damage to the luminaire.
- Installation and service must be performed by qualified service personnel.
- Any non-compliant installations will invalidate all forms of guarantee.