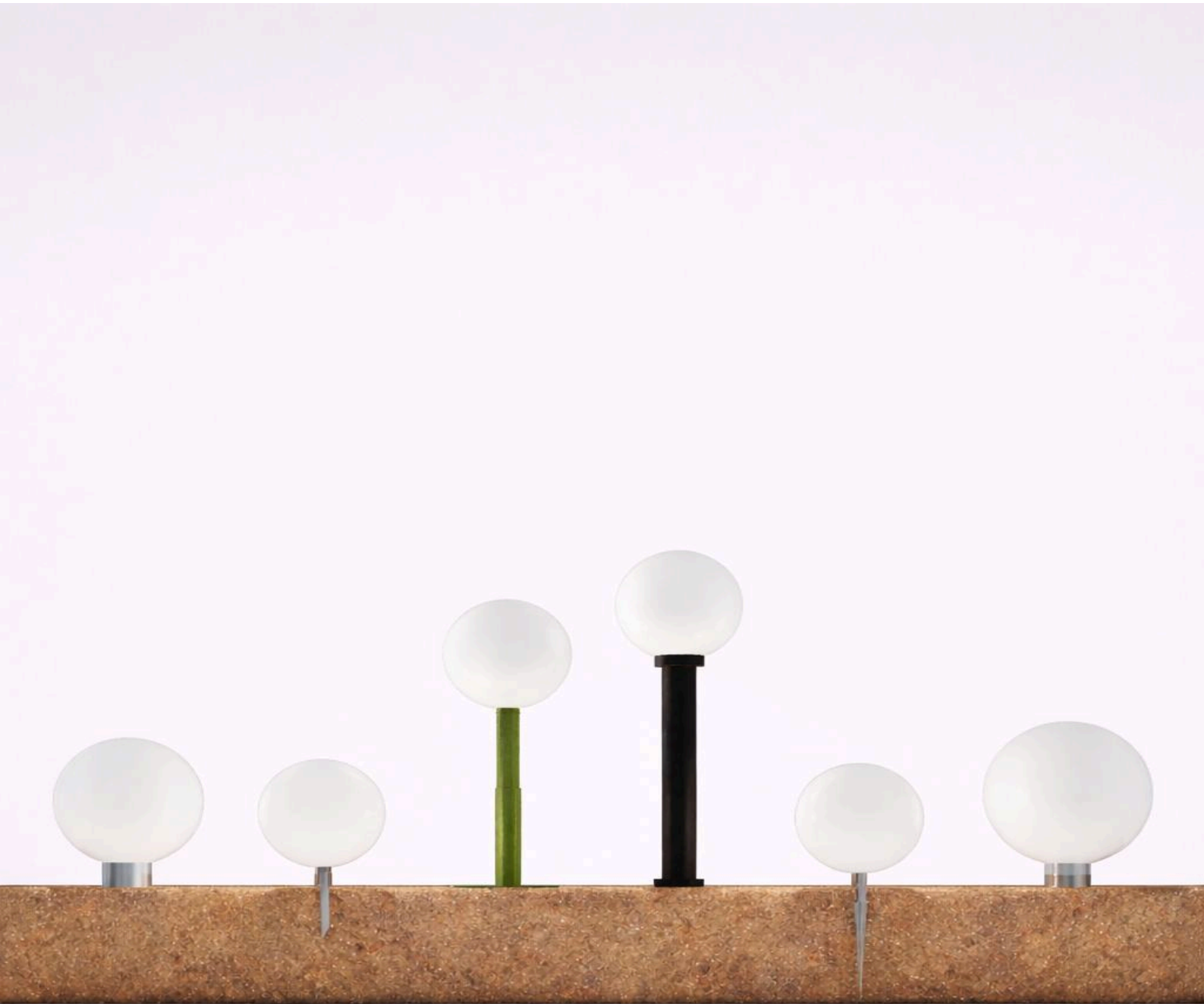




**BULLARD
BOLLARDS**
Think Bollard Think Bullard

GLOBO OUTDOOR
BB-GLB-UL





**BULLARD
BOLLARDS**
Think Bollard Think Bullard

**CODE:
BB-GLB-UL**

FIXTURE TYPE: _____

PROJECT NAME: _____



GENERAL INFORMATION:

The Globo (E26) is a sleek and modern spherical lighting fixture designed to elevate both indoor and outdoor spaces. Made from polyethylene, available in glossy or matte finishes, with a sturdy metal base, it offers durability and a refined aesthetic. Operating at 110-277V, this luminaire features an E26 socket for versatile lighting options. With an IP55 rating, it is resistant to dust and water, making it suitable for outdoor use. Available in multiple sizes—30 cm (11.81"), 40 cm (15.75"), 50 cm (19.69"), 60 cm (23.62"), 70 cm (27.56"), 80 cm (31.50"), 120 cm (47.2"), and 200 cm (78.7")—it adapts effortlessly to different settings. The base can be finished in RAL colors, allowing for customization to match various design preferences.

FIXTURE TYPE:

In-Scape

VOLTAGE:

110-277V



MATERIAL:

Polyethylene (glossy / matt)

IP RATING:

IP 55



APPLIANCE CLASS:

II



MAIN FEATURES:

- High visual comfort
- Available in a wide range of finishes
- Functional and minimalistic design
- Shock-resistant construction
- Operating Temperature: -104°F to +140°F.



THINK BOLLARD - THINK BULLARD

sales@gordonbullard.com
www.bullardbollards.com
1-877-964-4646



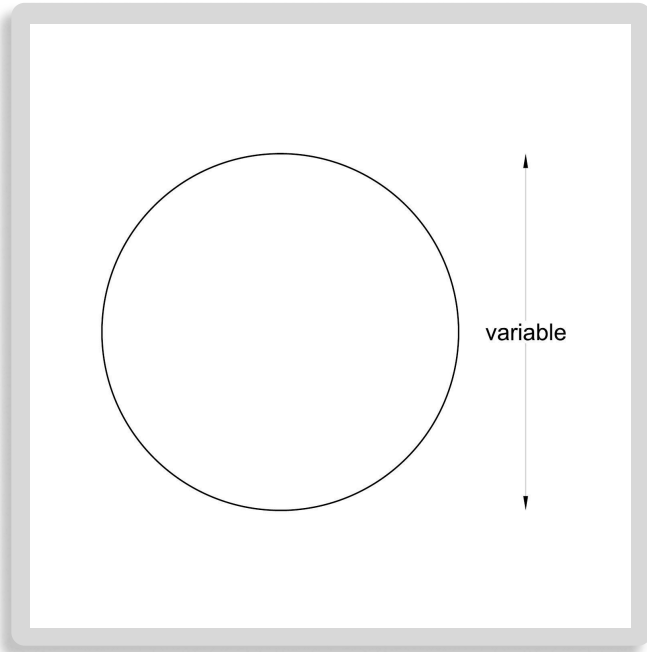
991 South Gull Lake Dr
Richland, MI 49083
USA



FIXTURE TYPE: _____

PROJECT NAME: _____

NOTES:



HOW TO ORDER:

CODE:

Example:
CODE: BB-GLB-UL-D30-GL-TPM-RAL1020

BB-GLB-UL-D30-GL-TPM-RAL1020

1 MODELS:

code*	inches"	centimeters*	light source*
-D30	Ø: 11.8"	(30 cm)	E26 / max. 60W
-D40	Ø: 15.7"	(40 cm)	E26 / max. 60W
-D50	Ø: 19.7"	(50 cm)	E26 / max. 60W
-D60	Ø: 23.6"	(60 cm)	E26 / max. 60W
-D70	Ø: 27.5"	(70 cm)	E26 / max. 100W
-D80	Ø: 31.5"	(80 cm)	E26 / max. 100W
-D120	Ø: 47.2"	(120 cm)	E26 / max. 185W
-D200	Ø: 78.7"	(200 cm)	E26 / max. 185W

2 MATERIAL FINISH OPTIONS:

- GL Glossy Available only for D30/40/50/60/70/80 models*
- MT Matt Available for all models*

3 ADDITIONAL MOUNTING OPTIONS:

-ESG



Earth Spike M

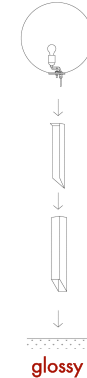
Applicable only to all MATT finish models*

Dimensions:
H: 8.82" (22,4 cm) x Ø:1.18" (3 cm)

Material:
Steel

Finishing:
Silver

-ESM



Earth Spike G

Applicable only to all GLOSSY finish models*

Dimensions:
H: 8.66" (22 cm) x Ø:1.18" (3 cm)

Material:
Steel

Finishing:
Silver

THINK BOLLARD - THINK BULLARD

sales@gordonbullard.com
www.bullardbollards.com
1-877-964-4646



991 South Gull Lake Dr
Richland, MI 49083
USA



FIXTURE TYPE: _____

PROJECT NAME: _____

NOTES:

HOW TO ORDER:

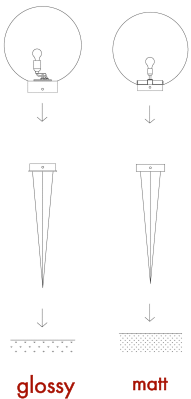
CODE:

Example:
CODE: BB-GLB-UL-D30-GL-TPM-RAL1020

BB-GLB-UL-D30-
GL-TPM-RAL1020

3 ADDITIONAL MOUNTING OPTIONS:

-VRS



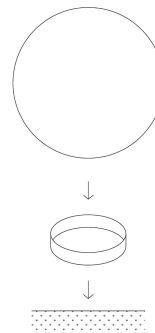
Vandal-Resistant Spike
only for D30/40/50/60/70/80 models*

Dimensions:
H: 8.82" (22.4 cm) x Ø: 1.18" (3 cm)

Material:
Steel

Finishing:
Silver

-SP



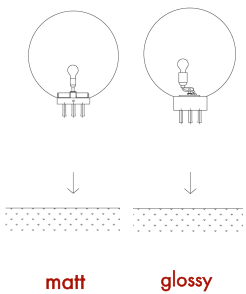
Free standing support ring
only for D60/70/80 models*

Dimensions:
Ø: 11.18" (3 cm) x H: 2" (5 cm)

Material:
Steel

Finishing:
Silver

-SM4



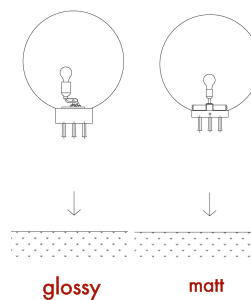
Surface-mounted installation 4
only for D30/40/50 models*

Dimensions:
Ø: 4.53" (11.5 cm) x H: 1.77" (4.5 cm)

Material:
Steel

Finishing:
Olive, Vanilla, Black, Chocolate,
Pistachio, Indgigo, Beige, Dark Brown,
Flamingo, Pink, Light Blue

-SM8



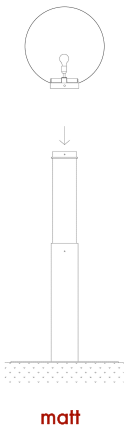
Surface-mounted installation 8
only for D60/70/80 models*

Dimensions:
Ø: 7.87" (20 cm) x H: 2.17" (4.5 cm)

Material:
Steel

Finishing:
Olive, Vanilla, Black, Chocolate,
Pistachio, Indgigo, Beige, Dark Brown,
Flamingo, Pink, Light Blue

-TPM



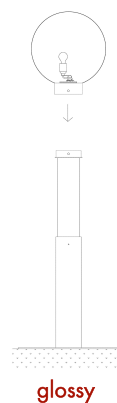
Telescopic Pole M
only for D30/40/50 MATT finish models*

Dimensions:
H: 17.7" - 31.5" (adjustable) x Ø: 4"

Material:
Stainless Steel

Finishing:
Olive, Vanilla, Black, Chocolate,
Pistachio, Indgigo, Beige, Dark
Brown, Flamingo, Pink, Light Blue

-TPG



Telescopic Pole G
only for D30/40/50 GLOSSY finish models*

Dimensions:
H: 17.7" - 31.5" (adjustable) x Ø: 4"

Material:
Stainless Steel

Finishing:
Olive, Vanilla, Black, Chocolate,
Pistachio, Indgigo, Beige, Dark
Brown, Flamingo, Pink, Light Blue

sales@gordonbullard.com
www.bullardbollards.com
1-877-964-4646



991 South Gull Lake Dr
Richland, MI 49083
USA



FIXTURE TYPE: _____

PROJECT NAME: _____

NOTES:

HOW TO ORDER:

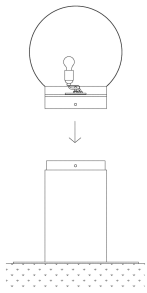
CODE:

Example:
CODE: BB-GLB-UL-D30-GL-TPM-RAL1020

BB-GLB-UL-D30-GL-TPM-RAL1020

3 ADDITIONAL MOUNTING OPTIONS:

-PM



glossy

Pole G

only for D30/40/50 GLOSSY finish models*

Dimensions:

- PHM12 H: 12" (30.5 cm)
- PHM24 H: 24" (61 cm)
- PHM36 H: 36" (91.4 cm)
- PHM42 H: 42" (106.7 cm)
- PDM8 Ø: 8" (20.3 cm)
- PDM10 Ø: 10" (25.4 cm)

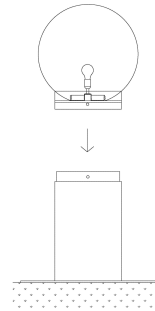
Material:

Stainless Steel

Finishing:

Olive, Vanilla, Black, Chocolate, Pistachio, Indigigo, Beige, Dark Brown, Flamingo, Pink, Light Blue

-PG



matt

Pole M

only for D30/40/50 MATT finish models*

Dimensions:

- PHG12 H: 12" (30.5 cm)
- PHG24 H: 24" (61 cm)
- PHG36 H: 36" (91.4 cm)
- PHG42 H: 42" (106.7 cm)
- PDG8 Ø: 8" (20.3 cm)
- PDG10 Ø: 10" (25.4 cm)

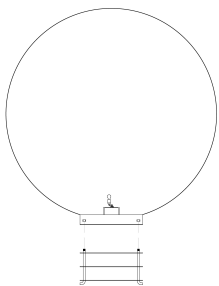
Material:

Stainless Steel

Finishing:

Olive, Vanilla, Black, Chocolate, Pistachio, Indigigo, Beige, Dark Brown, Flamingo, Pink, Light Blue

-AK60



Anchor Kit Installation

only for D200 model*

Dimensions:

W: 23.4" (59.5 cm) x L: 23.4" (59.5 cm)

Material:

Steel

Finishing:

Olive, Vanilla, Black, Chocolate, Pistachio, Indigigo, Beige, Dark Brown, Flamingo, Pink, Light Blue

4 BASE & POLE FINISH OPTIONS:

- RAL 1020
- RAL 9002
- RAL 9005
- RAL 1011
- RAL 6090

- Olive
- Vanilla
- Black
- Chocolate
- Pistachio

- RAL 5013
- RAL 1015
- RAL 8011
- RAL 040 90 10
- RAL 240 08 15

- Indigo
- Beige
- Dark Brown
- Flamingo Pink
- Light Blue

sales@gordonbullard.com
www.bullardbollards.com
1-877-964-4646



991 South Gull Lake Dr
Richland, MI 49083
USA

FIXTURE TYPE: _____

PROJECT NAME: _____

NOTES:

HOW TO ORDER:

CODE:

Example:
CODE: BB-GLB-UL-D30-GL-TPM-RAL1020

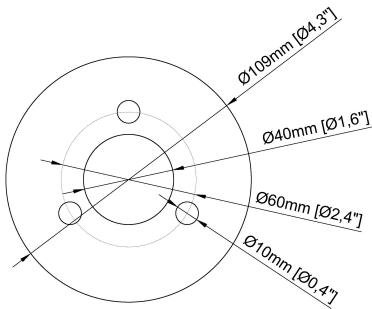
BB-GLB-UL-D30-
GL-TPM-RAL1020

BOLT PATTERNS:

SURFACE - MOUNTED BASE

Material:
Stainless Steel

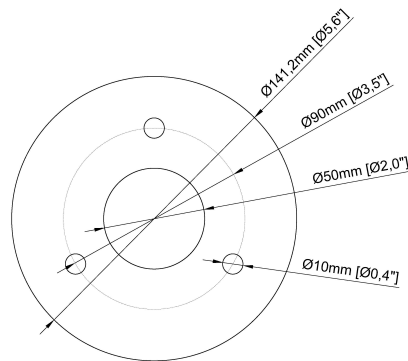
for D30/40/50 MATT finish models*



SURFACE - MOUNTED BASE

Material:
Stainless Steel

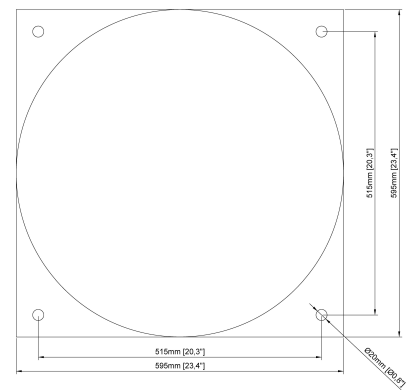
for D60/70/80 MATT finish models*



SURFACE - MOUNTED BASE

Material:
Stainless Steel

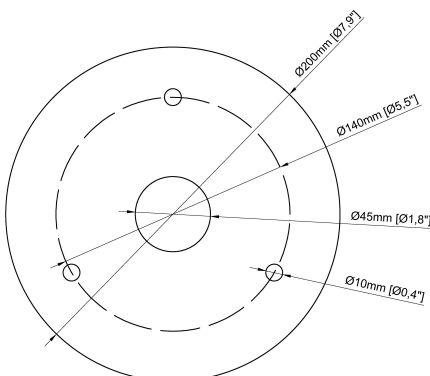
only for D200 model*



SURFACE - MOUNTED BASE

Material:
Stainless Steel

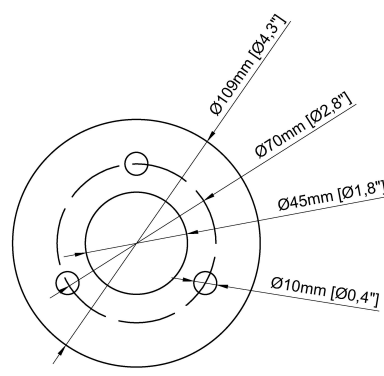
for D30/40/50 GLOSSY finish models*



SURFACE - MOUNTED BASE

Material:
Stainless Steel

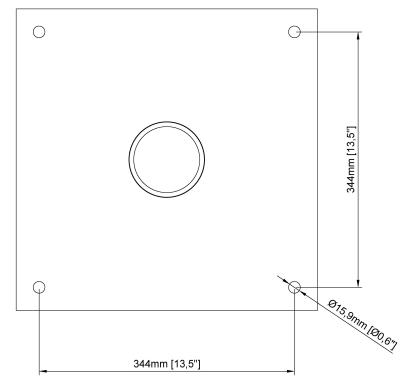
for D60/70/80 GLOSSY finish models*



SURFACE - MOUNTED POLES

Material:
Stainless Steel

only for D30/40/50 all finish models*



sales@gordonbullard.com
www.bullardbollards.com
1-877-964-4646



991 South Gull Lake Dr
Richland, MI 49083
USA