



**BULLARD
BOLLARDS**
Think Bollard Think Bullard

AVIOR Inground Luminaire - Compact/Mini





FIXTURE TYPE: _____

PROJECT NAME: _____



GENERAL INFORMATION:

The Avior is an in-ground lighting fixture powered by LEDs and made from die-cast aluminum. It is available in 1 size in a Sanded Black finish. The voltage range is 110-277V. Additionally, this fixture is equipped with an IP67 water stopper, which is included as a standard assembly at the end of the luminaires

FIXTURE TYPE:

Inground Luminaires - Compact/Mini

LIGHTING:

LED **LED**

VOLTAGE:

110-277V

MATERIAL:

12# Die-casting dark grey powder coated aluminum

CRI:

80

IP RATING:

IP 67 **IP67**

IK RATING:

IK 08

sales@gordonbullard.com
www.bullardbollards.com
1-877-964-4646



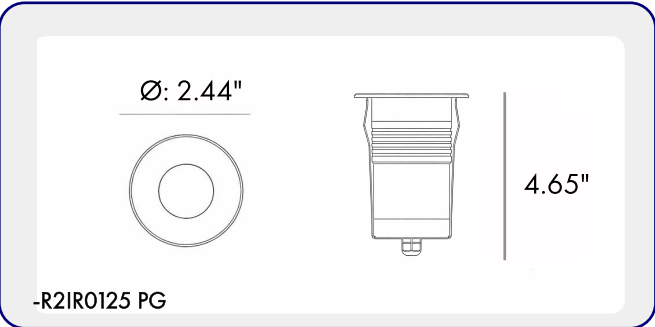
991 South Gull Lake Dr
Richland, MI 49083
USA



FIXTURE TYPE: _____

PROJECT NAME: _____

NOTES:



HOW TO ORDER:

CODE:

Example:
CODE: BB-AV-KPG-IL-XXX-XXX-XXX-XXX-XXX-XXX

BB-AV-KPG-IL-R2IR0125 PG-K30-R7-18-DIM-

1 MODELS:

CODE -R2IR0125 PG

DIMENSIONS:

Diameter - Ø: 2.44" (6.2 cm)

Height - H: 4.65" (11.8 cm)

LIGHT SOURCE:

LED / 1 x 5W / 51 mA / 506 lm / IK 08 / 110-277V

2 CCT OPTIONS:

-K30
-CUS

3 BEAM ANGLE:

-R7-18 18°
-R7-24 24°
-R7-32 32°

4 DIMMING OPTIONS:

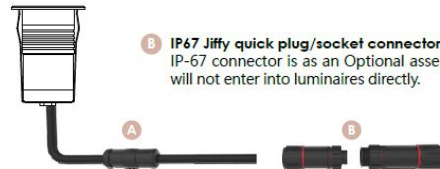
-DIM 1-10V
-PWM Pulse Width Modulation
-DALI DALI (Digital Addressable Lighting Interface)

5 WATER PROOF SOLUTION: (optional)

-B

A Water-Stopper(Included)
IP-67 water-stopper is added in the end of luminaires as standard assembly which is also an important system for water resistance.

B IP67 Jiffy quick plug/socket connector(Optional)
IP-67 connector is as an Optional assembly and ensures that water vapor will not enter into luminaires directly.





FIXTURE TYPE: _____

PROJECT NAME: _____

NOTES:



LED
110-277V
IP67
DALI

HOW TO ORDER:

CODE:

Example:
CODE: BB-AV-KPG-IL-XXX-XXX-XXX-XXX-XXX-XXX

BB-AV-KPG-IL-R2IR0125 PG-K30-R7-18-DIM-

6 ACCESSORIES:

HONEYCOMB LOUVER (INCLUDED) -Mh015



SLEEVE (OPTION 1)

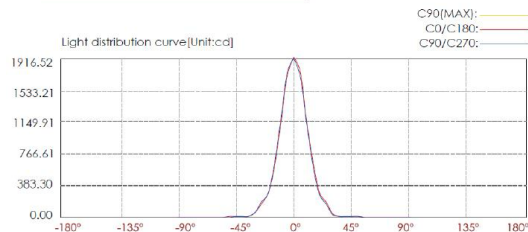
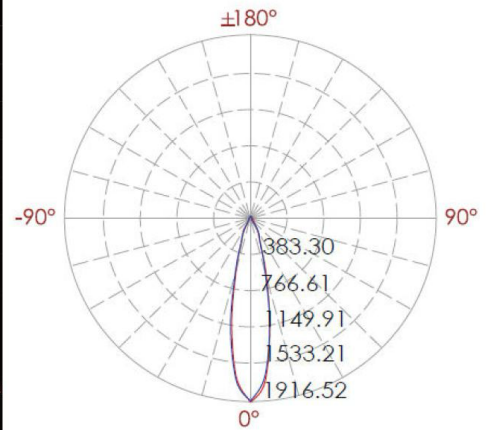
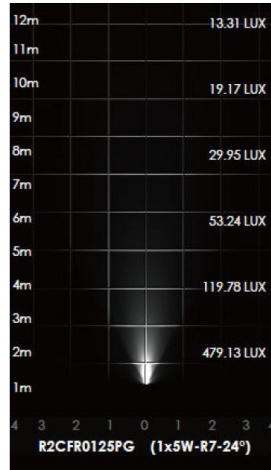
SLEEVE (OPTION 2)



-A07

-184#

7 PHOTOMETRIC INFO:



Lux distance curve

Distance	Center beam LUX	Beam width V	Beam width H
2m	479.13 LUX	0.8m	0.8m
4m	119.78 LUX	1.7m	1.7m
6m	53.24 LUX	2.5m	2.5m
8m	29.95 LUX	3.3m	3.3m
10m	19.17 LUX	4.1m	4.1m
12m	13.31 LUX	5.0m	5.0m

Ver.Spread:23.4 Horiz.Spread:23.4

sales@gordonbullard.com
www.bullardbollards.com
1-877-964-4646



991 South Gull Lake Dr
Richland, MI 49083
USA