

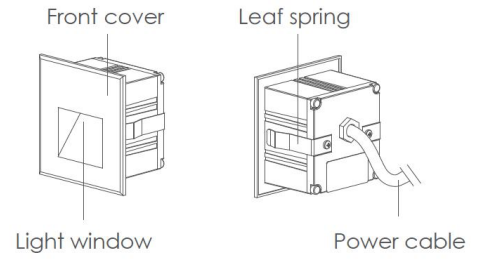


VIZO



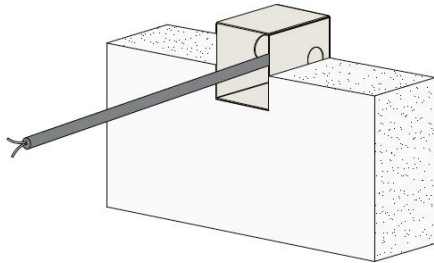
Data Sheet:

Input Voltage (V): 110-277
IK 10



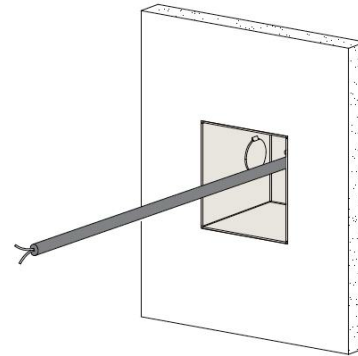
Installation steps

Step 1



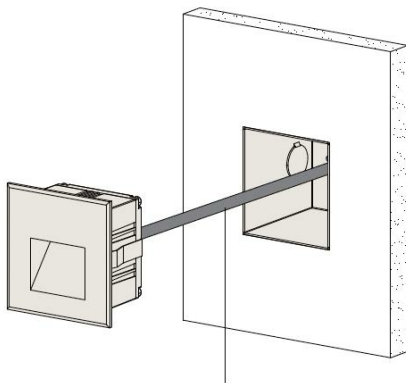
Secure the recessed sleeve

Step 2



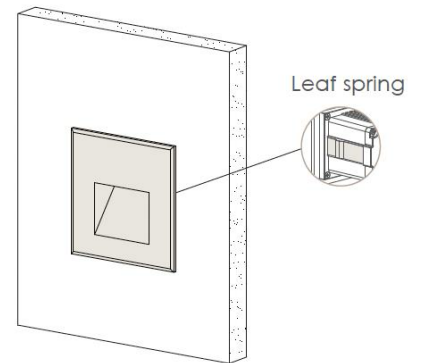
Finish the installation of concrete surface materials

Step 3



Connect the power cable

Step 4



Install the light fixture on the wall