



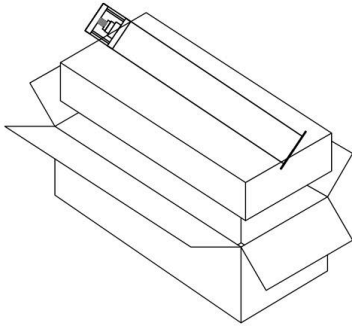
**BULLARD
BOLLARDS**
Think Bollard Think Bullard

INSTALLATION INSTRUCTION

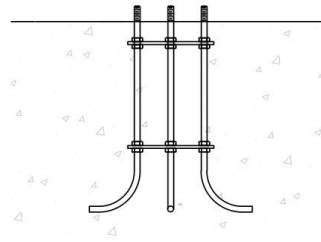
THE ASPEN

INSTALLATION TYPE:
ANCHOR MOUNT

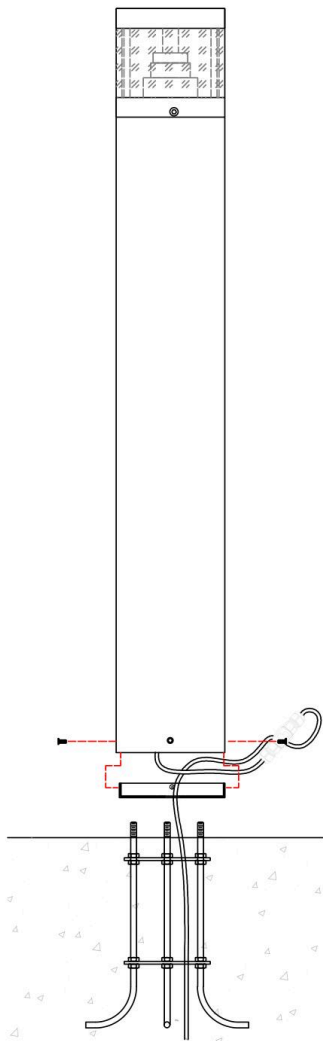




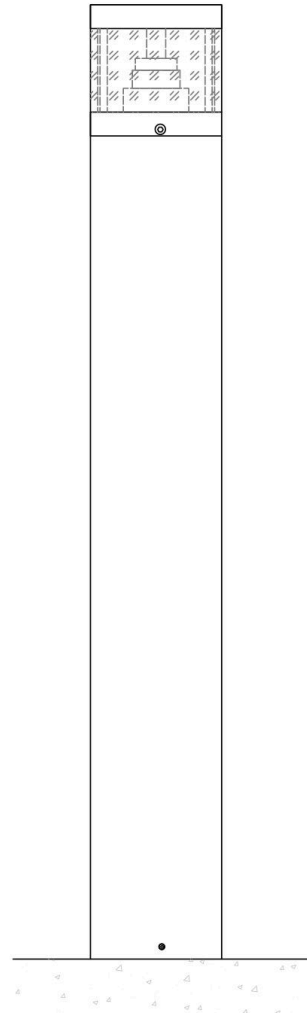
1, Take out the lamps and find the corresponding



2. Fix the embedded parts to the installation position.



3. Connect the wires with IP67 waterproof connectors as shown in the diagram.

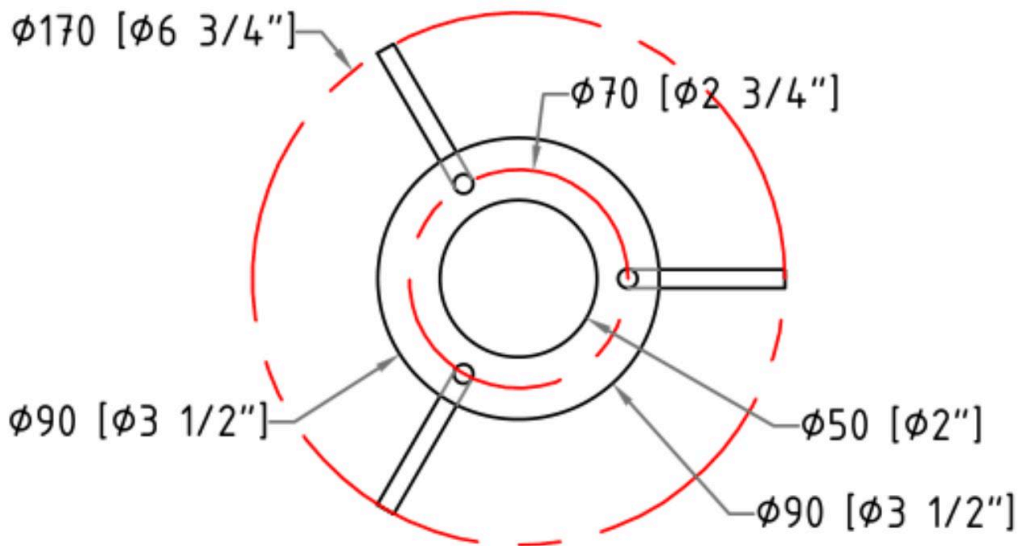
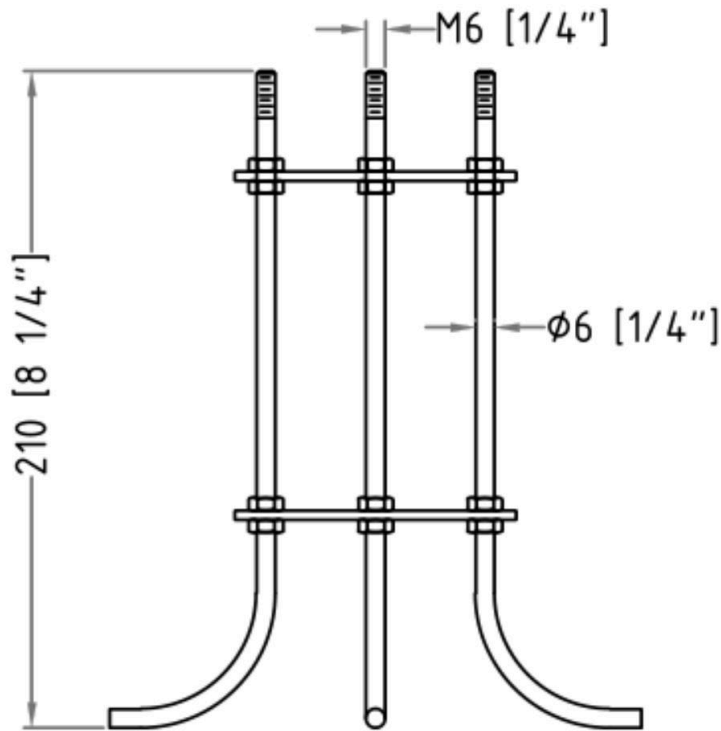


P.2

sales@gordonbullard.com
www.bullardbollards.com
1 877-964-4646

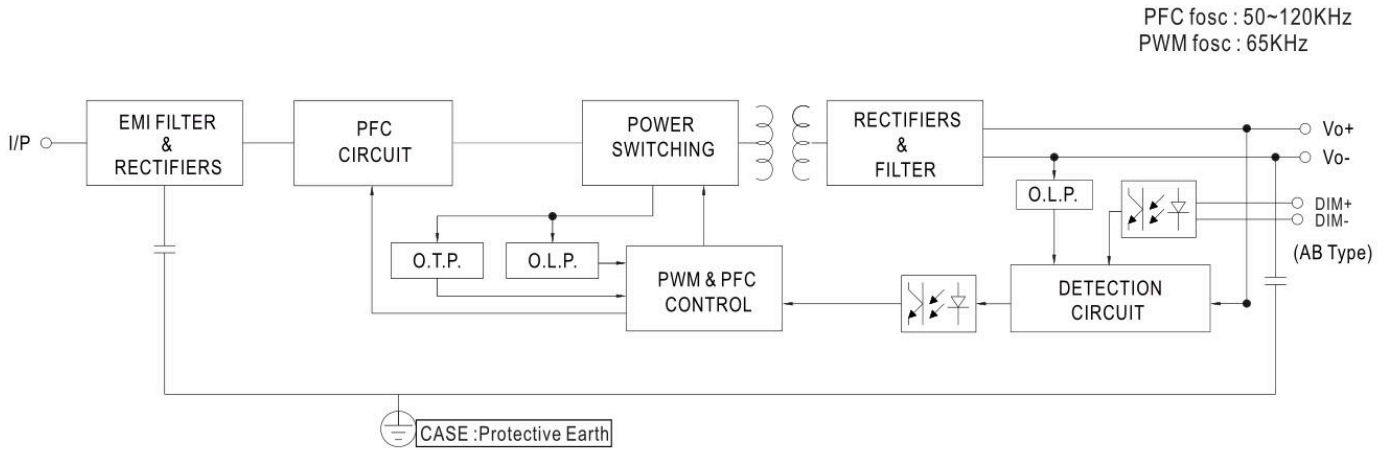


991 South Gull Lake Dr.
Richland, MI 49083
USA

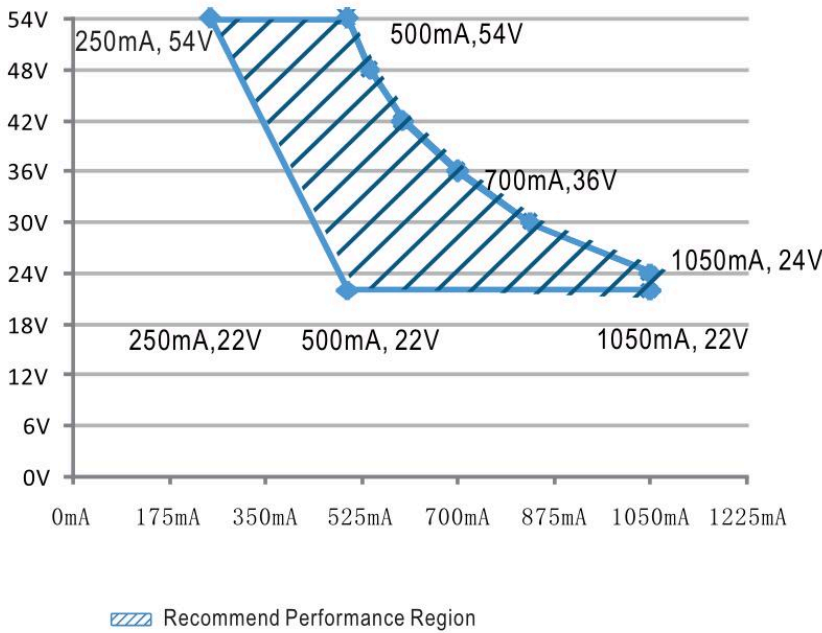


25W Constant Power Mode LED Driver

■ Block Diagram

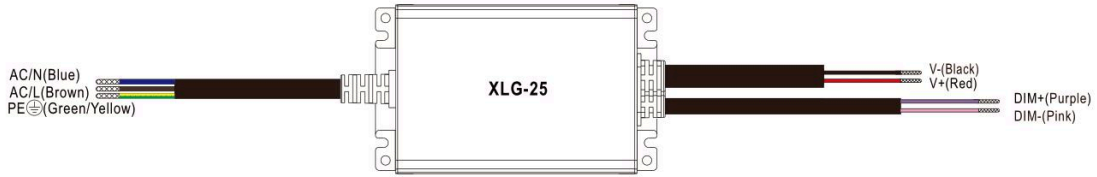


■ DRIVING METHODS OF LED MODULE



25W Constant Power Mode LED Driver

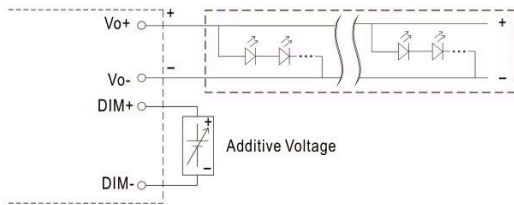
■ DIMMING OPERATION



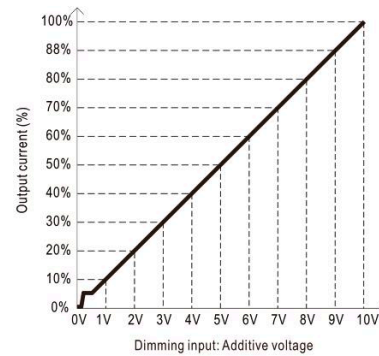
※ 3 in 1 dimming function (for AB-Type)

- Output constant current level can be adjusted by applying one of the three methodologies between DIM+ and DIM-: 0 ~ 10VDC, or 10V PWM signal or resistance.
- Direct connecting to LEDs is suggested. It is not suitable to be used with additional drivers.
- Dimming source current from power supply: 100µA (typ.)

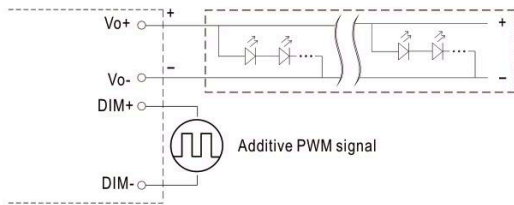
◎ Applying additive 0 ~ 10VDC



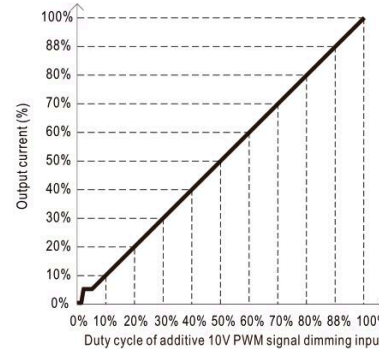
"DO NOT connect "DIM- to Vo-"



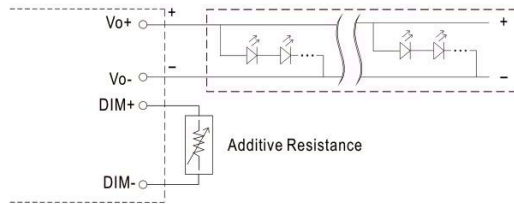
◎ Applying additive 10V PWM signal (frequency range 100Hz ~ 3KHz):



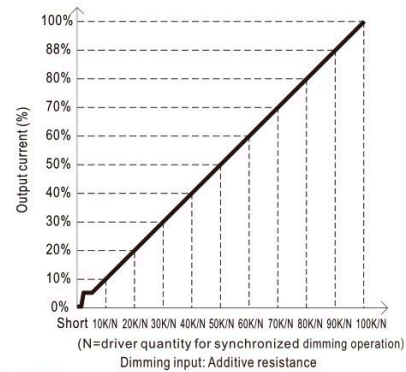
"DO NOT connect "DIM- to Vo-"



◎ Applying additive resistance:



"DO NOT connect "DIM- to Vo-"



- Note : 1. Min. dimming level is about 8% and the output current is not defined when $0\% < I_{out} < 8\%$.
 2. The output current could drop down to 0% when dimming input is about 0kΩ or 0Vdc, or 10V PWM signal with 0% duty cycle.