



**BULLARD  
BOLLARDS**  
Think Bollard Think Bullard

# SUMMIT RD FRAME (CEILING RECESSED)



FIXTURE TYPE: \_\_\_\_\_

PROJECT NAME: \_\_\_\_\_

NOTES:



**GENERAL INFORMATION:**

The SUMMIT RD FRAME Outdoor Light by Bullard Bollards combines modern design with durable construction to enhance outdoor spaces with clean, architectural lighting. Built for reliability, it delivers precise illumination ideal for pathways, gardens, and building facades. Its sleek form blends seamlessly into contemporary landscapes while providing powerful and efficient light performance. Designed with premium materials, it ensures long-lasting quality and dependable operation in outdoor environments.

**FIXTURE TYPE:**

Ceiling Recessed

**LIGHTING:**

LED

**INPUT VOLTAGE:**

110-277V

**MATERIAL:**

Extruded aluminum EN AW-6060 T5 high resistance to oxidation

**GASKETS:**

Silicone gaskets

**EXTERNAL SCREWS:**

Stainless Steel A4

**FINISH AND PROTECTION:**

Primary treatment with nanoceramic conversion. Protection with textured polyester powder coating resistant to weathering and UV rays

**CUTOUT SHAPE:**

Round

**DRIVER POSITION:**

Remote / Recessed

**CRI:**

>80

**IP RATING:**

IP67

**APPLINCE CLASS:**

III

**THINK BOLLARD - THINK BULLARD**

sales@gordonbullard.com  
www.bullardbollards.com  
1-877-964-4646



991 South Gull Lake Dr  
Richland, MI 49083  
USA

FIXTURE TYPE: \_\_\_\_\_

PROJECT NAME: \_\_\_\_\_

NOTES:



**UGR:**

<16

**CONTROL:**

Dim based on driver

**CABLE ENTRY:**

Nylon cable gland M12 Ø 0.35/0.7 cm

**CABLE TYPE:**

FR5FOEM7-AD8 2x0.005cm2

**CORD LENGTH:**

50cm

**BEAM ANGLE / LIGHT DISTRIBUTION / BEAM DIRECTIONABILITY:**

17°	Symmetrical narrow beam (<=15°)	Fixed optics
40°	Symmetrical medium flood (15° - 45°)	Fixed optics
48°	Symmetrical wide beam (45° - 125°)	Fixed optics

**DIFFUSER MATERIAL / DIFFUSER FINISH:**

Tempered glass 0.5cm / Transparent - extra clear

**OPTICS:**

Reflector in anti-UV technopolymer with super pure aluminum metallization

**SECONDARY OPTICS:**

Black anti UV technopolymer reflector

**WARRANTY:**

LED lighting products are warranted for 5 years.

**THINK BOLLARD - THINK BULLARD**

[sales@gordonbullard.com](mailto:sales@gordonbullard.com)

[www.bullardbollards.com](http://www.bullardbollards.com)

1-877-964-4646



991 South Gull Lake Dr

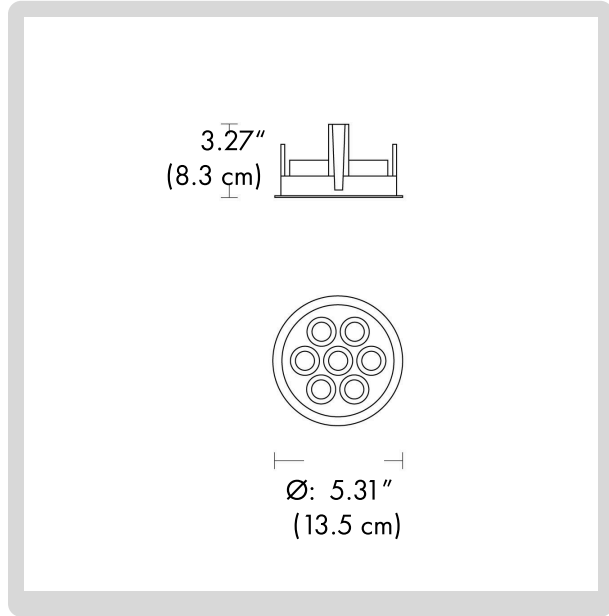
Richland, MI 49083

USA



FIXTURE TYPE: \_\_\_\_\_

PROJECT NAME: \_\_\_\_\_



**HOW TO ORDER:**

**CODE:**

**Example:**  
**CODE: BB-2013.00CAGT-GH-B17-L1-DIM-V1-AC482**

BB-2013.00CAGT-GH  
-B17-L1-DIM-V1  
-AC482

**1 DIMENSIONS:**

Diameter -	Ø: 5.31" (13.5 cm)
Length -	L: 3.27" (8.3 cm)
Width -	W: 5.31" (13.5 cm)
Height -	H: 0.04" (0.1 cm)
Recessed hole diameter -	G: 4.92" (12.5 cm)
Recessed depth -	D: 3.27" (8.3 cm)

**2 BEAM ANGLE:**

- B17 17°
- B40 40°
- B48 48°

**3 LIGHT SOURCE:**

- L1 LED / 1 x 10 W / 3000K / 1245 lm / 500 mA
- L2 LED / 1 x 13.5 W / 3000K / 1679 lm / 700 mA
- L3 LED / 1 x 18 W / 3000K / 2087 lm / 900 mA
- LL1 LED / 1 x 10 W / 4000K / 1339 lm / 500 mA
- LL2 LED / 1 x 13.5 W / 4000K / 1807 lm / 700 mA
- LL3 LED / 1 x 18 W / 4000K / 2246 lm / 900 mA

**4 DIMMING OPTIONS:**

- NON NON-Dimmable
- DIM 0-10V
- CAS Casambi
- DAL Dali

**5 FINISH OPTIONS:**

- V1 White glass
- V2 Black glass

**6 ACCESSORIES:**

- AC482  
Honeycomb tratto wall 300

**THINK BOLLARD - THINK BULLARD**

sales@gordonbullard.com

www.bullardbollards.com

1-877-964-4646



991 South Gull Lake Dr

Richland, MI 49083

USA