



**BULLARD  
BOLLARDS**  
Think Bollard Think Bullard

# ATLANT Inground Luminaire - Compact/Mini





**BULLARD  
BOLLARDS**  
Think Bollard Think Bullard

**CODE:  
BB-AT-KPG-IL**

FIXTURE TYPE: \_\_\_\_\_

PROJECT NAME: \_\_\_\_\_



**GENERAL INFORMATION:**

The Atlant is an in-ground lighting fixture powered by LEDs and made from die-cast aluminum. It is available in 3 sizes and in a Sanded Black finish. The voltage range is 110-277V. Dimmable.

**FIXTURE TYPE:**

Inground Luminaires - Compact/Mini

**LIGHTING:**

LED LED

**VOLTAGE:**

110-277V

**MATERIAL:**

12# Die-casting dark grey powder coated aluminum

**CRI:**

80

**IP RATING:**

IP 68 IP68

**IK RATING:**

IK 07 / 08 / 09

sales@gordonbullard.com  
www.bullardbollards.com  
1-877-964-4646



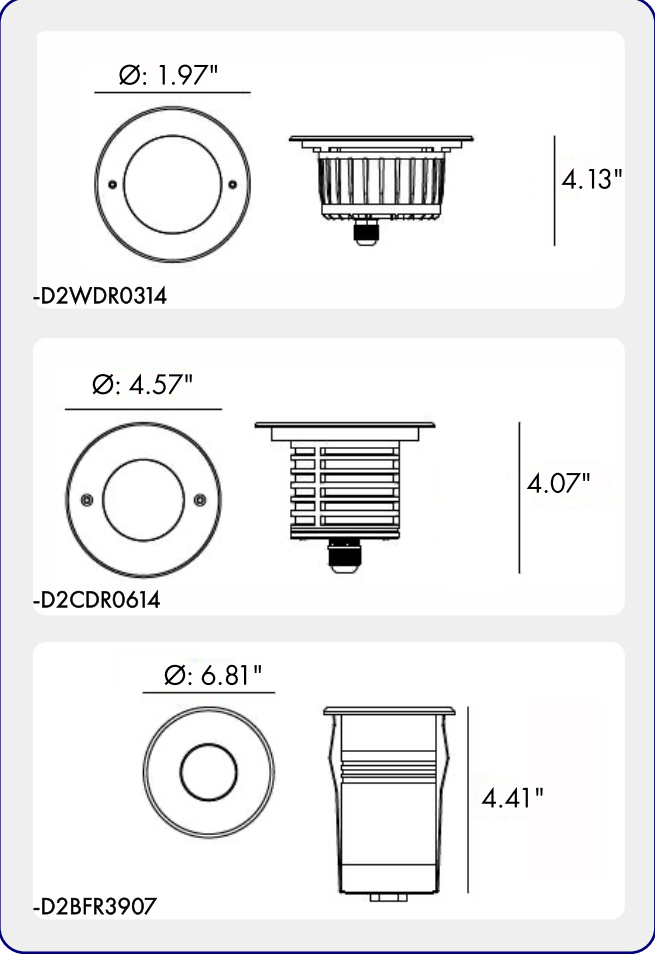
991 South Gull Lake Dr  
Richland, MI 49083  
USA



FIXTURE TYPE: \_\_\_\_\_

PROJECT NAME: \_\_\_\_\_

NOTES:



**HOW TO ORDER:**

**CODE:**

Example:  
CODE: BB-AT-KPG-IL-XXX-XXX-XXX-XXX-XXX-XXX

BB-AT-KPG-IL-D2WDR0314-K30-DIM-

**1 MODELS:**

CODE -D2WDR0314

DIMENSIONS:

Diameter - Ø: 1.97" (5 cm)  
Height - H: 4.13" (10.5 cm)

LIGHT SOURCE:

LED / 1 x 2W / 41 mA / 183 lm / IK 08 / 110-277V

CODE -D2CDR0614

DIMENSIONS:

Diameter - Ø: 4.57" (11.6 cm)  
Height - H: 4.07" (10.3 cm)

LIGHT SOURCE:

LED / 6 x 0.2W / 30 mA / 11 lm / IK 09 / 110-277V

CODE -D2BFR3907

DIMENSIONS:

Diameter - Ø: 6.81" (17.3 cm)  
Height - H: 4.41" (11.2 cm)

LIGHT SOURCE:

LED / 39 x 0.06W / 60 mA / 45 lm / IK 07 / 110-277V

**2 CCT OPTIONS:**

-K30 3000K  
-CUS Custom on request\*

**3 WATER PROOF SOLUTION: (optional)**

-B

- A Water-Stopper(Included)  
IP-67 water-stopper is added in the end of luminaires as standard assembly which is also an important system for water resistance.
- B IP67 Jiffy quick plug/socket connector(Optional)  
IP-67 connector is as an Optional assembly and ensures that water vapor will not enter into luminaires directly.



sales@gordonbullard.com  
www.bullardbollards.com  
1-877-964-4646



991 South Gull Lake Dr  
Richland, MI 49083  
USA

FIXTURE TYPE: \_\_\_\_\_

PROJECT NAME: \_\_\_\_\_

NOTES:



**HOW TO ORDER:**

**CODE:**

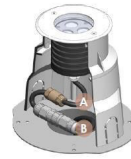
Example:  
CODE: BB-AT-KPG-IL-XXX-XXX-XXX-XXX-XXX-XXX

BB-AT-KPG-IL-D2WDR0314-K30-DIM-

**4 ACCESSORIES:**

**SLEEVE (OPTION 1)**

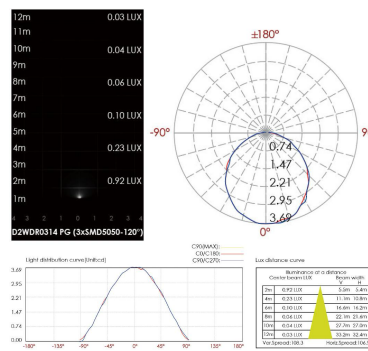
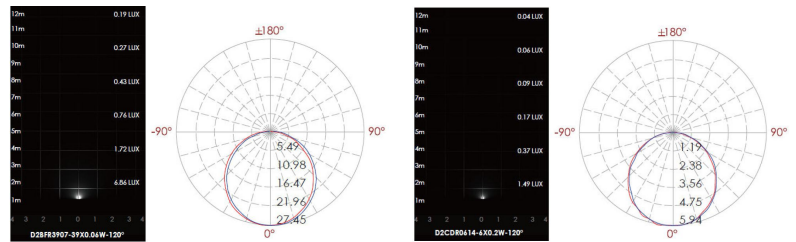
**SLEEVE (OPTION 2)**



-A08 -Ø: 1.97"  
 -B12 -Ø: 4.57"  
 -016# -Ø: 6.81"

-185# -Ø: 1.97"  
 -015# -Ø: 4.57"

**5 PHOTOMETRIC INFO:**



sales@gordonbullard.com  
 www.bullardbollards.com  
 1-877-964-4646



991 South Gull Lake Dr  
 Richland, MI 49083  
 USA