



**BULLARD
BOLLARDS**
Think Bollard Think Bullard

BUNNY TRACK 1200 (INGROUND LUMINAIRES)

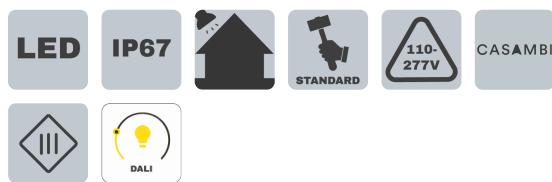




FIXTURE TYPE: _____

PROJECT NAME: _____

NOTES:



GENERAL INFORMATION:

The Bunny Track 1200 is a high-performance linear inground LED luminaire designed for powerful and precise architectural illumination. Constructed with a stainless steel AISI 316L trim and a robust extruded aluminum EN AW-6060 T5 housing, it delivers exceptional resistance to corrosion and demanding outdoor conditions, supported by an IP67 rating and an 8 mm tempered glass diffuser. Offering a wide range of beam angles—including narrow, medium, symmetric, and asymmetric wall-washer options—it provides versatile lighting solutions for façades, landscapes, and large-scale wall grazing applications. Equipped with high-output LED configurations in 3000K or 4000K, an included driver, and dimming options such as 0–10V, Casambi, and DALI, the Bunny Track 1200 combines high visual comfort, functional design, and long-term durability, backed by a 5-year warranty.

LIGHTING:

LED



VOLTAGE:

110-277V



GASKETS:

Silicone gaskets

FIXTURE TYPE:

Inground Luminaires

MATERIAL:

Stainless steel AISI 316L, Extruded aluminum EN AW-6060 T5 high resistance to oxidation, Die-cast aluminum EN AB 44100 highly resistant to oxidation

EXTERNAL SCREWS:

Stainless steel A4-70 treated with highly antioxidant water-repellent lubricating solution

DIFFUSER MATERIAL:

Tempered glass 8mm

IP RATING:

IP 67



APPLINCE CLASS:

III

THINK BOLLARD - THINK BULLARD

sales@gordonbullard.com
www.bullardbollards.com
1-877-964-4646



991 South Gull Lake Dr
Richland, MI 49083
USA



FIXTURE TYPE: _____

PROJECT NAME: _____

NOTES:



OPERATION RANGE:

110-277V - 50/60 Hz

DRIVER POSITION:

Included

CRI:

>90

CABLE ENTRY / CABLE TYPE:

Nylon cable gland M20 Ø 7/13 mm / H07RN8-F 3x1 mm²

CORD LENGTH:

0.5m

LIGHT DISTRIBUTION:

- 12° - Symmetrical narrow beam (<=15°)
- 25° - Symmetrical medium flood (15° - 45°)
- 50° - Symmetrical wide beam (45° - 125°)
- 14° x 47° - 2 Axis symmetrical
- 78° x 47° - Asymmetric flood (wall washer)

BEAM DIRECTIONABILITY:

Fixed optics

OPTICS:

Anti UV technopolymer lens

WARRANTY:

LED lighting products are warranted for 5 years.

MAIN FEATURES:

- High visual comfort
- Wide range of finishes
- Functional design
- Minimal design
- Shock resistant
- Operating Temperature: -22°F~122°F

FINISH OPTIONS:

Stainless steel

THINK BOLLARD - THINK BULLARD

sales@gordonbullard.com
www.bullardbollards.com
1-877-964-4646

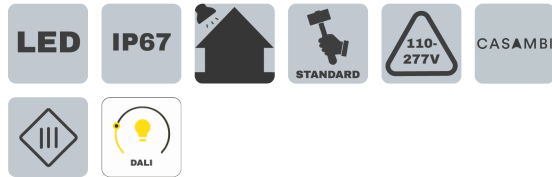
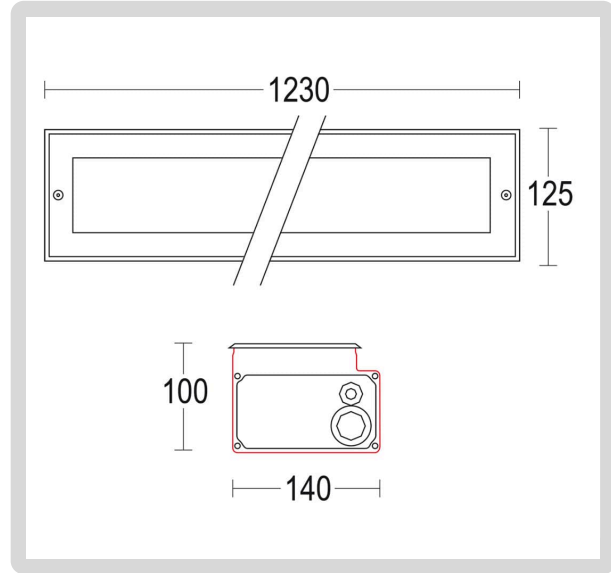


991 South Gull Lake Dr
Richland, MI 49083
USA



FIXTURE TYPE: _____

PROJECT NAME: _____



HOW TO ORDER:

CODE:

Example:
CODE: BB-001298.MLST-GH-B3-L2-DIM-AC204-5P

BB-001298.MLST-GH-B3-L2-DIM-AC204-5P

1 MODELS:

- A) Recessed depth - P: 3.94" (10 cm)
- B) Length - L: 48.43" (123 cm)
- C) Width - W: 4.92" (12.5 cm)
- D) Cutout length - CL: 50.12" (127.3 cm)
- E) Cutout width - CW: 5.51" (14 cm)

2 BEAM ANGLE:

- B1 12°
- B2 25°
- B3 50°
- B4 14° x 47°
- B5 78° x 47°

3 LIGHT SOURCE:

- L1 LED / 1 x 50.4W / 3000 K / 1 x 4704 lm / 110-277V
- L2 LED / 1 x 64W / 3000 K / 1 x 6048 lm / 110-277V
- L3 LED / 1 x 36W / 3000 K / 1 x 3504 lm / 110-277V
- L4 LED / 1 x 50.4W / 4000 K / 1 x 5232 lm / 110-277V
- L5 LED / 1 x 64W / 4000 K / 1 x 6728 lm / 110-277V
- L6 LED / 1 x 36W / 4000 K / 1 x 3888 lm / 110-277V

4 DIMMING OPTIONS:

- NON NON-Dimmable
- DIM 0-10V
- CAS Casambi
- DAL Dali

THINK BOLLARD - THINK BULLARD

sales@gordonbullard.com
www.bullardbollards.com
1-877-964-4646

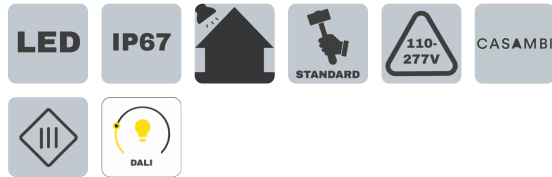
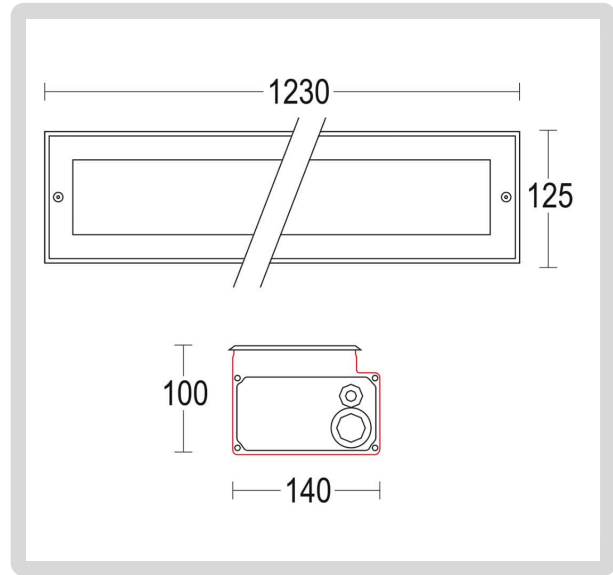


991 South Gull Lake Dr
Richland, MI 49083
USA



FIXTURE TYPE: _____

PROJECT NAME: _____



HOW TO ORDER:

CODE:

Example:
CODE: BB-001298.MLST-GH-B3-L2-DIM-AC204-5P

BB-001298.MLST-GH-B3-L2-DIM-AC204-5P

5 ACCESSORIES:

-AC204

IP 68 fast connector 4P



-AC204-5P

IP 68 fast connector 5P



-AC279

IP 68 connector for through wiring 4P



-AC279-5P

IP 68 connector for through wiring 5P



-AC283

Rough-in housing 1230x140x100



THINK BOLLARD - THINK BULLARD

sales@gordonbullard.com
www.bullardbollards.com
1-877-964-4646



991 South Gull Lake Dr
Richland, MI 49083
USA