



**BULLARD
BOLLARDS**
Think Bollard Think Bullard

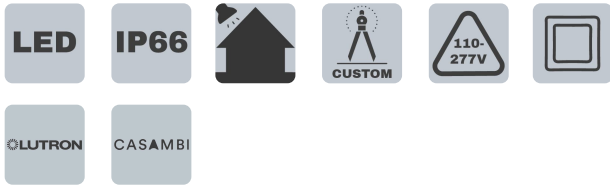
FRATTO Q
BB-FRTQ-BL





FIXTURE TYPE: _____

PROJECT NAME: _____



GENERAL INFORMATION:

Introducing the Fratto Q from Bullard Bollards — a premium, customizable architectural bollard designed to elevate outdoor lighting with sleek minimalism and high performance. Available in various heights and with either a square or square-linear lens, the Fratto Q combines modern design with durable materials like stainless steel or aluminum. Rated IP66 for outdoor resilience, it delivers efficient LED illumination with multiple output and color temperature options, making it ideal for pathways, plazas, and contemporary landscapes.

FIXTURE TYPE:

Bollard

VOLTAGE:

110-277V



MATERIAL:

Stainless Steel or Aluminum

IP RATING:

IP 66



DRIVER POSITION:

Remote

WARRANTY:

LED lighting products are warranted for 5 years.

MAIN FEATURES:

- High visual comfort
- Wide range of finishes
- Functional design
- Minimal design
- Shock resistant
- Operating Temperature: -22°F~122°F

LIGHT DISTRIBUTION:

360°

LENS:

PMMA

THINK BOLLARD - THINK BULLARD

sales@gordonbullard.com
www.bullardbollards.com
1-877-964-4646

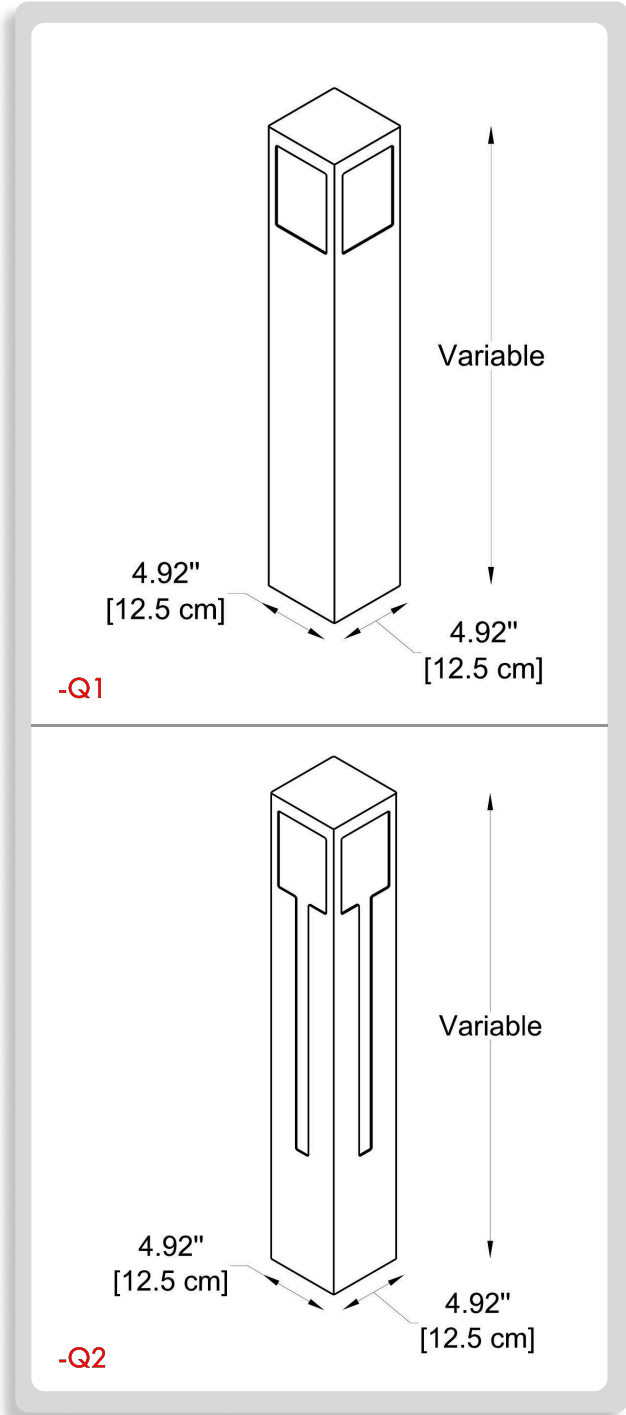


991 South Gull Lake Dr
Richland, MI 49083
USA



FIXTURE TYPE: _____

PROJECT NAME: _____



HOW TO ORDER:

CODE:

Example:
CODE: BB-FRTQ-BL-Q1-H1-SS-35K-WH-DIM

BB-FRTQ-BL-Q1-H1-SS-35K-WH-DIM

1 DESIGN MODELS:

- Q1 Square lens
- Q2 Square line lens

2 BODY HEIGHT:

- H1 H: 10.8" (27,5 cm)
- H2 H: 19.7" (50 cm)
- H3 H: 31.5" (80 cm)

3 BODY LENGTH & WIDTH:

L/W: 4.92" (12.5 cm)

4 BODY MATERIAL:

- SS Stainless Steel
- AL Aluminum

5 LIGHT SOURCE:

- LSB9 LED / 9 W / 1080 lm / CRI 90
- LSB12 LED / 12 W / 1440 lm / CRI 90
- LSB15 LED / 15 W / 1800 lm / CRI 90

6 CCT:

- K27 2700K
- K30 3000K
- K35 3500K
- K40 4000K

7 FINISH OPTIONS:

- WH White (RAL 9010) ●
- GR Green (RAL 6010) ●
- CO Corten (RAL 8023) ●
- LGR Light Grey (RAL 7047) ●
- DGR Dark Grey (RAL 7021) ●
- BL Black (RAL 9005) ●
- CUS Custom on request* ● ● ● ● ● ●

sales@gordonbullard.com
www.bullardbollards.com
1-877-964-4646



991 South Gull Lake Dr
Richland, MI 49083
USA



**BULLARD
BOLLARDS**
Think Bullard Think Bullard

**CODE:
BB-FRTQ-BL**

FIXTURE TYPE: _____

PROJECT NAME: _____



HOW TO ORDER:

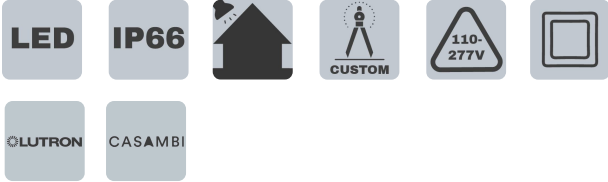
CODE:

Example:
CODE: BB-FRTQ-BL-Q1-H1-SS-35K-WH-DIM

BB-FRTQ-BL-Q1-
H1-SS-35K-WH-
DIM

8 DIMMING OPTIONS:

- NON NON-Dimmable
- DIM 0-10V
- CAS Casambi
- LUT Lutron
- DAL Dali



sales@gordonbullard.com
www.bullardbollards.com
1-877-964-4646



991 South Gull Lake Dr
Richland, MI 49083
USA