

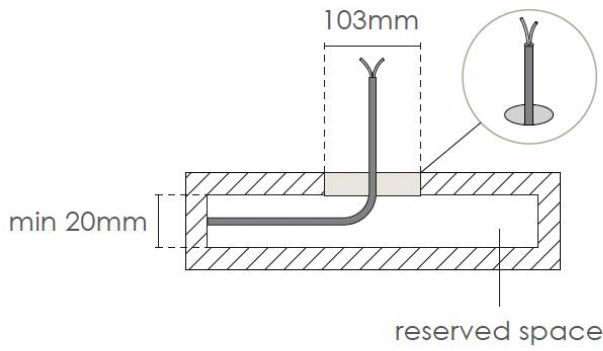
# KETO



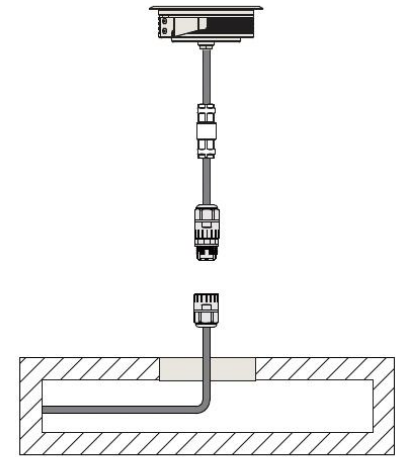
Data Sheet:  
 Input Voltage (V): 110-277  
 IK 08

## Installation steps

### Step 1

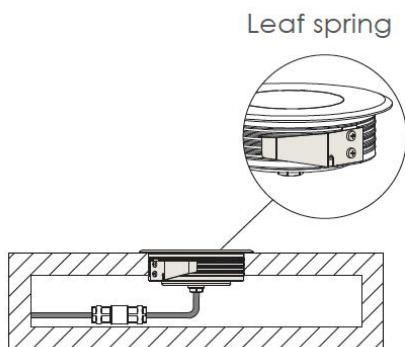


### Step 2



Connect the power cable

### Step 3



P.2

[sales@gordonbullard.com](mailto:sales@gordonbullard.com)  
[www.bullardbollards.com](http://www.bullardbollards.com)  
 1 877-964-4646

991 South Gull Lake Dr.  
 Richland, MI 49083  
 USA

