



**BULLARD  
BOLLARDS**  
Think Bollard Think Bullard

## BUNNY LINE 1500 (INGROUND LUMINAIRES)





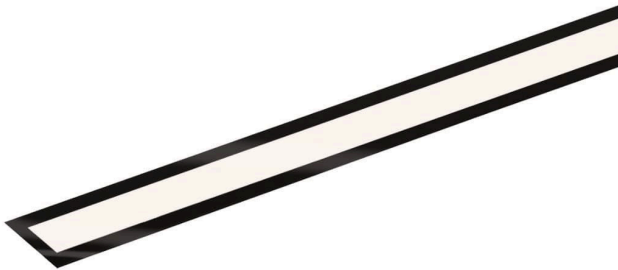
**BULLARD  
BOLLARDS**  
Think Bullard Think Bullard

**CODE:  
BB-001542.FLFTTUNEL-GH**

FIXTURE TYPE: \_\_\_\_\_

PROJECT NAME: \_\_\_\_\_

NOTES:



**GENERAL INFORMATION:**

The Bunny Line 1500 is a high-performance linear inground LED luminaire designed for powerful architectural and wall-washing applications. Built from extruded aluminum EN AW-6060 T5 with die-cast aluminum components and protected by an 8 mm tempered glass diffuser, it ensures exceptional durability and resistance to harsh outdoor conditions, reinforced by an IP67 rating. Offering versatile beam options—including medium flood and asymmetric distributions—it delivers precise, uniform illumination for façades, structural elements, and large surfaces. Operating on 24V DC with a remote driver configuration and supporting dimming options such as Non-dimmable, 0–10V, Casambi, and DALI, the Bunny Line 1500 combines high visual comfort, minimalist design, and reliable long-term performance, backed by a 5-year warranty.

**LIGHTING:**

LED



**VOLTAGE:**

110-277V



**GASKETS:**

Silicone gaskets

**FIXTURE TYPE:**

Inground Luminaires

**MATERIAL:**

Extruded aluminum EN AW-6060 T5 high resistance to oxidation,  
Die-cast aluminum EN AB 44100 highly resistant to oxidation

**EXTERNAL SCREWS:**

Stainless steel A4-70 treated with highly antioxidant water-repellent lubricating solution

**DIFFUSER MATERIAL:**

Tempered glass 8mm

**IP RATING:**

IP 67



**THINK BOLLARD - THINK BULLARD**

sales@gordonbullard.com  
www.bullardbollards.com  
1-877-964-4646



991 South Gull Lake Dr  
Richland, MI 49083  
USA



**BULLARD  
BOLLARDS**  
Think Bollard Think Bullard

**CODE:  
BB-001542.FLFTTUNEL-GH**

FIXTURE TYPE: \_\_\_\_\_

PROJECT NAME: \_\_\_\_\_

NOTES:



**APPLINCE CLASS:**

|||

**OPERATION RANGE:**

24 V DC

**DRIVER POSITION:**

Remote

**CRI:**

>90

**CABLE ENTRY / CABLE TYPE:**

Brass cable gland M12 Ø 3.5/7 mm / FR5FOEM7-AD8 2x0.5mm2

**CORD LENGTH:**

0.5m

**LIGHT DISTRIBUTION:**

28° - Symmetrical medium flood (15 ° - 45 °)  
39° x 19° - 2 Axis symmetrical  
69° x 139° - 2 Axis symmetrical

**BEAM DIRECTIONABILITY:**

Fixed optics

**OPTICS:**

Anti UV technopolymer lens

**WARRANTY:**

LED lighting products are warranted for 5 years.

**MAIN FEATURES:**

High visual comfort / Wide range of finishes  
Functional design / Minimal design  
Shock resistant  
Operating Temperature: -22 °F~122 °F

**FINISH OPTIONS:**

Glass



**THINK BOLLARD - THINK BULLARD**

sales@gordonbullard.com  
www.bullardbollards.com  
1-877-964-4646

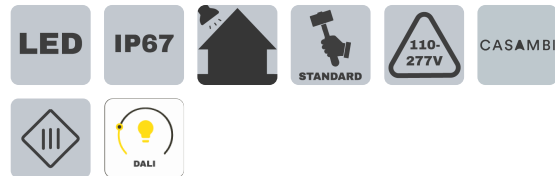
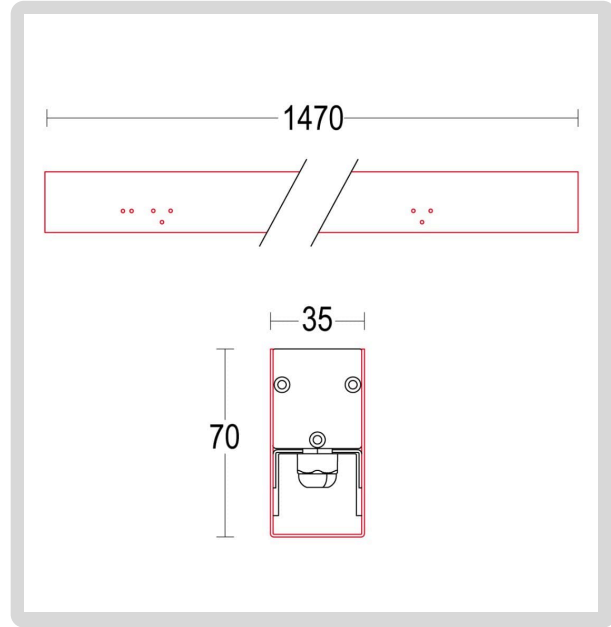


991 South Gull Lake Dr  
Richland, MI 49083  
USA



FIXTURE TYPE: \_\_\_\_\_

PROJECT NAME: \_\_\_\_\_



**HOW TO ORDER:**

**CODE:**

Example:  
CODE: BB-001542.FLFTTUNEL-GH-B69-139-3  
-DIM-AC567

BB-001542.FLFTTU  
NEL-GH-  
B69-139-3  
-DIM-AC567

**1 MODELS:**

- A) Recessed depth - Ø: 2.76" (7 cm)
- B) Length - L: 57.87" (147 cm)
- C) Width - W: 1.38" (3.5 cm)

**2 LIGHT SOURCE:**

CODE	BEAM ANGLE	WATTAGE	KELVINS	LUMENS	
-B69-139-1	69°x139°	1 x 21.03W	3000 K	1 x 2509 lm	24 V DC
-B69-139-2		1 x 30W	3000 K	1 x 3210 lm	24 V DC
-B69-139-3		1 x 21.03W	4000 K	1 x 2759 lm	24 V DC
-B69-139-4		1 x 30W	4000 K	1 x 3320 lm	24 V DC
-B39-19-1	39°x19°	1 x 47.5W	2700-6500 K	1 x 5095 lm	24 V DC
-B39-19-2		1 x 45W	3000 K	1 x 4380 lm	24 V DC
-B39-19-3		1 x 45W	4000 K	1 x 4860 lm	24 V DC
-B28-1	28°	1 x 45W	3000 K	1 x 4380 lm	24 V DC
-B28-2		1 x 45W	4000 K	1 x 4860 lm	24 V DC

**3 DIMMING OPTIONS:**

- NON NON-Dimmable
- DIM 0-10V
- CAS Casambi
- DAL Dali

**THINK BOLLARD - THINK BULLARD**

sales@gordonbullard.com  
www.bullardbollards.com  
1-877-964-4646



991 South Gull Lake Dr  
Richland, MI 49083  
USA

FIXTURE TYPE: \_\_\_\_\_

PROJECT NAME: \_\_\_\_\_

**HOW TO ORDER:**

**CODE:**

Example:  
CODE: BB-001542.FLFTTUNEL-GH-B69-139-3  
-DIM-AC567

BB-001542.FLFTTU  
NEL-GH-  
B69-139-3  
-DIM-AC567

**5**

**ACCESSORIES:**

**-AC204**

IP 68 fast connector 4P



**-AC205-IP66**

IP66 remote power supply box



**-AC279**

IP 68 connector for through wiring 4P



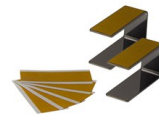
**-AC567**

Rough-in housing 1470mm



**-AC551**

Extraction tool Traccia



**-AC290**

**FOR 28° / 39°x19°**

Anti glare louver 1500mm



**THINK BOLLARD - THINK BULLARD**

sales@gordonbullard.com

www.bullardbollards.com

1-877-964-4646



991 South Gull Lake Dr

Richland, MI 49083

USA