



**BULLARD
BOLLARDS**
Think Bollard Think Bullard

INSTALLATION INSTRUCTION

MAESTRO FLAT

INSTALLATION TYPE:
SPOT



01/28/2026

IP67

IK10

DALI

PUSH

Optional

**Replaceable
(Led only)
light source
by
a professional**

**Replaceable
control gear
by
a professional**

**ATTENTION : SWITCH-OFF THE POWER SUPPLY
BEFORE ANY OPERATION**

1

3

1

2

3

2

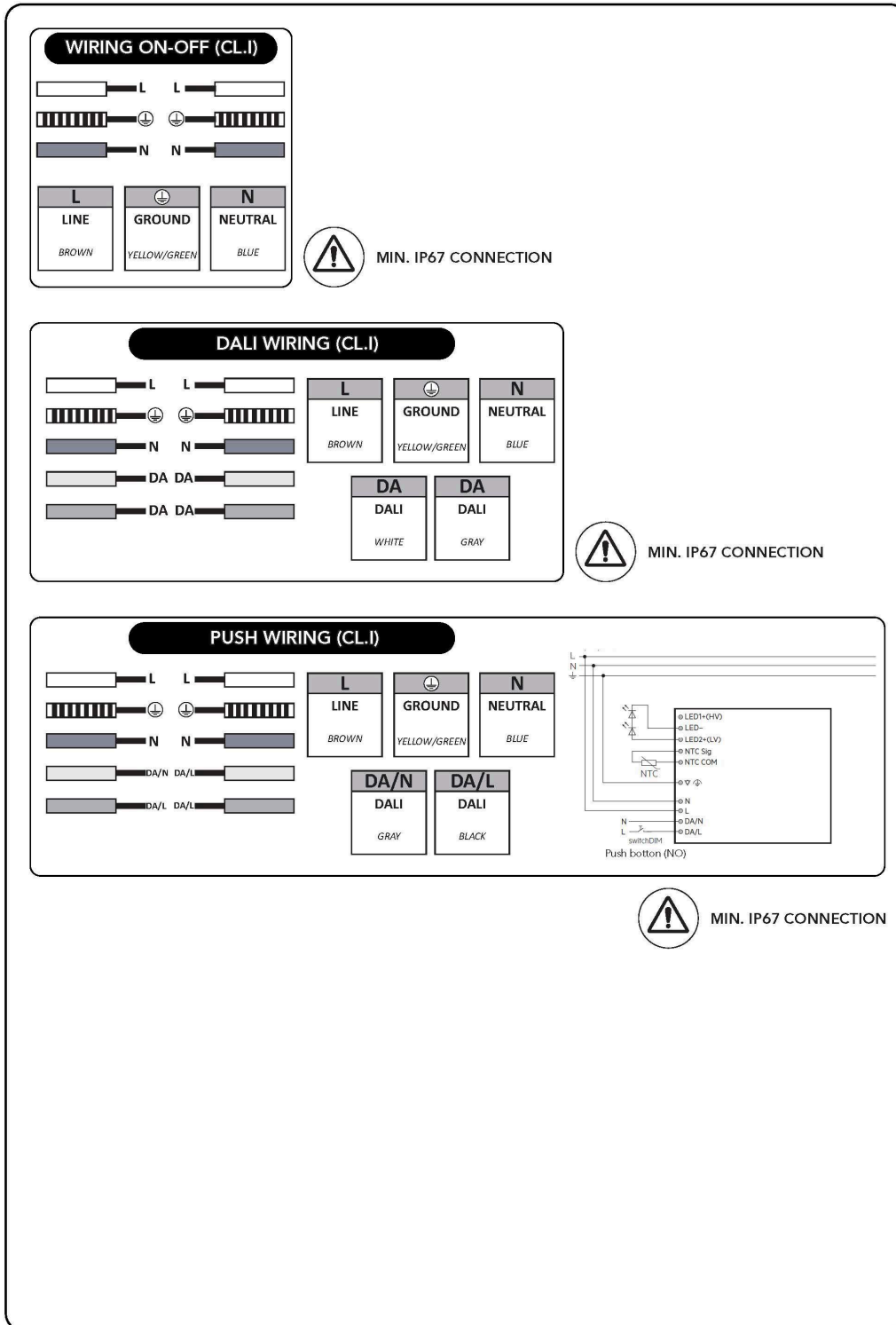
MINIMAESTRO FLAT

63

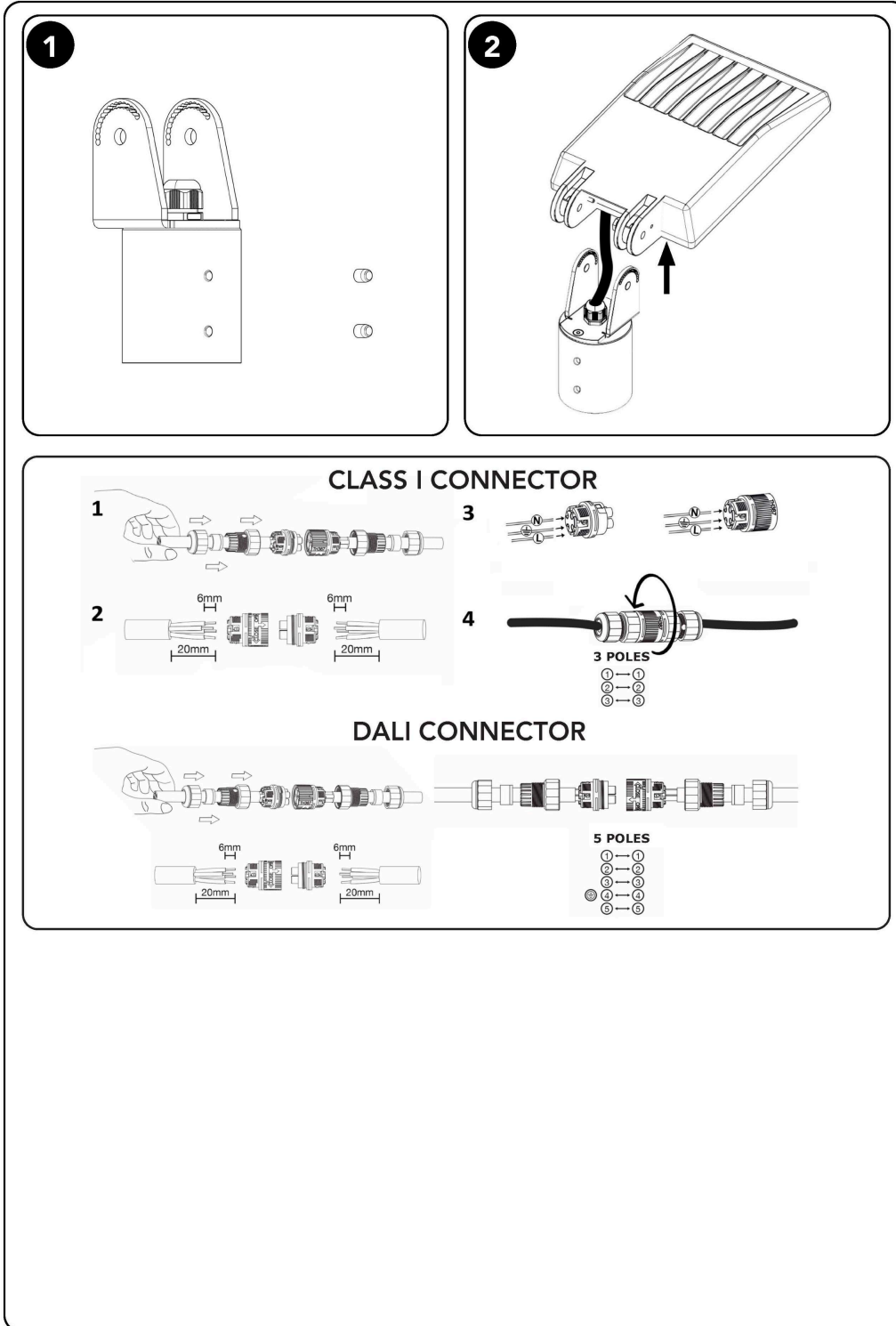
390

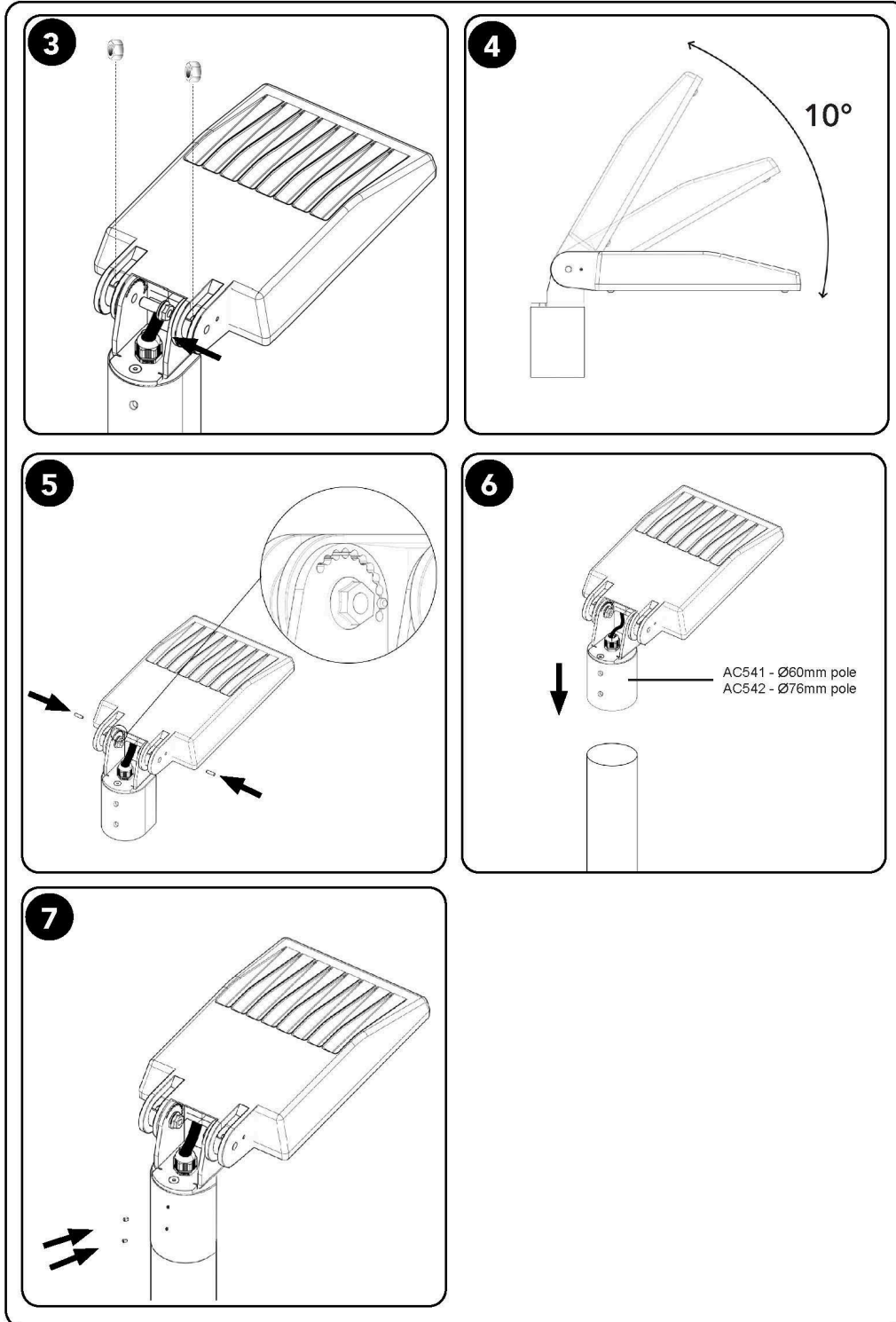
215

WIRING

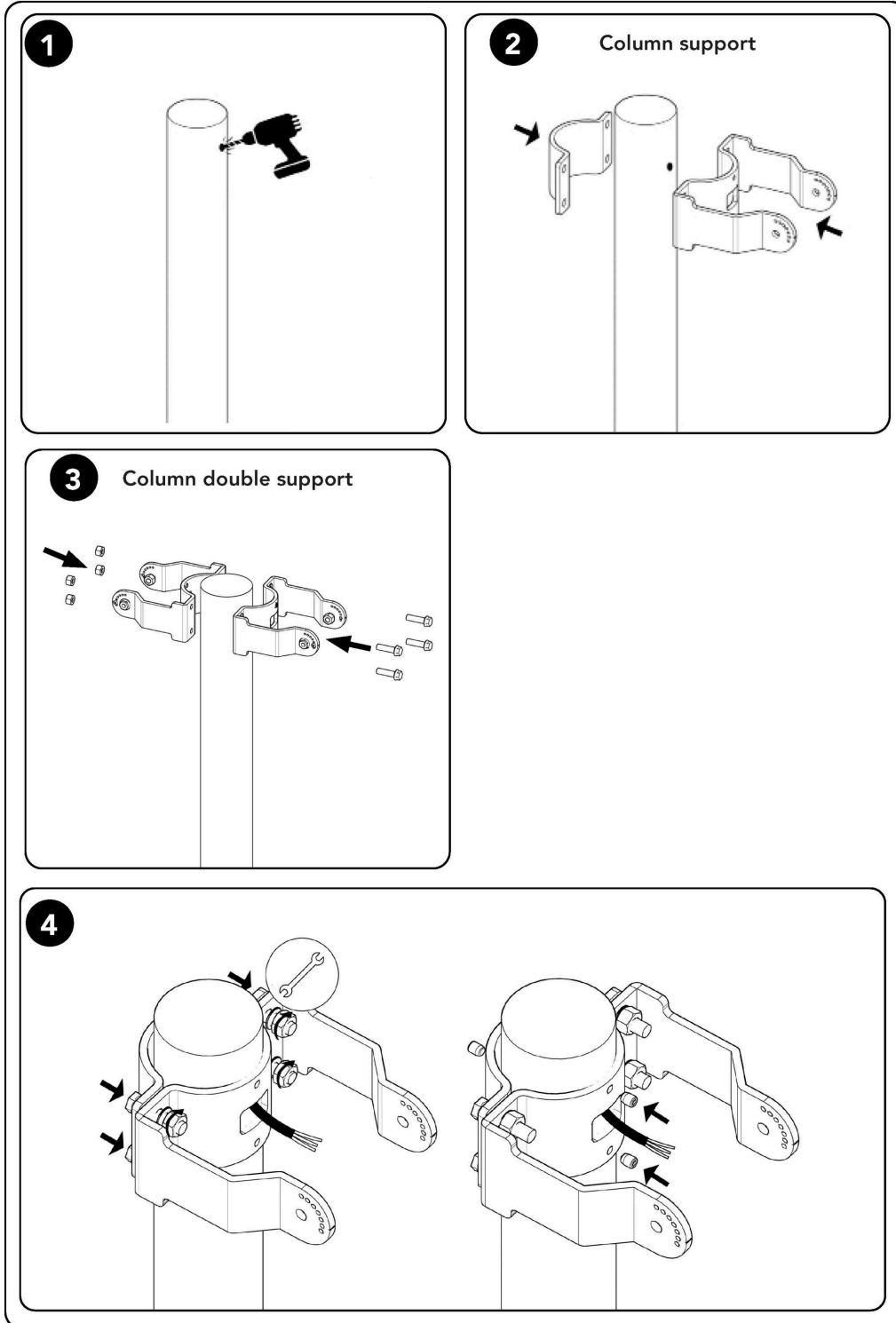


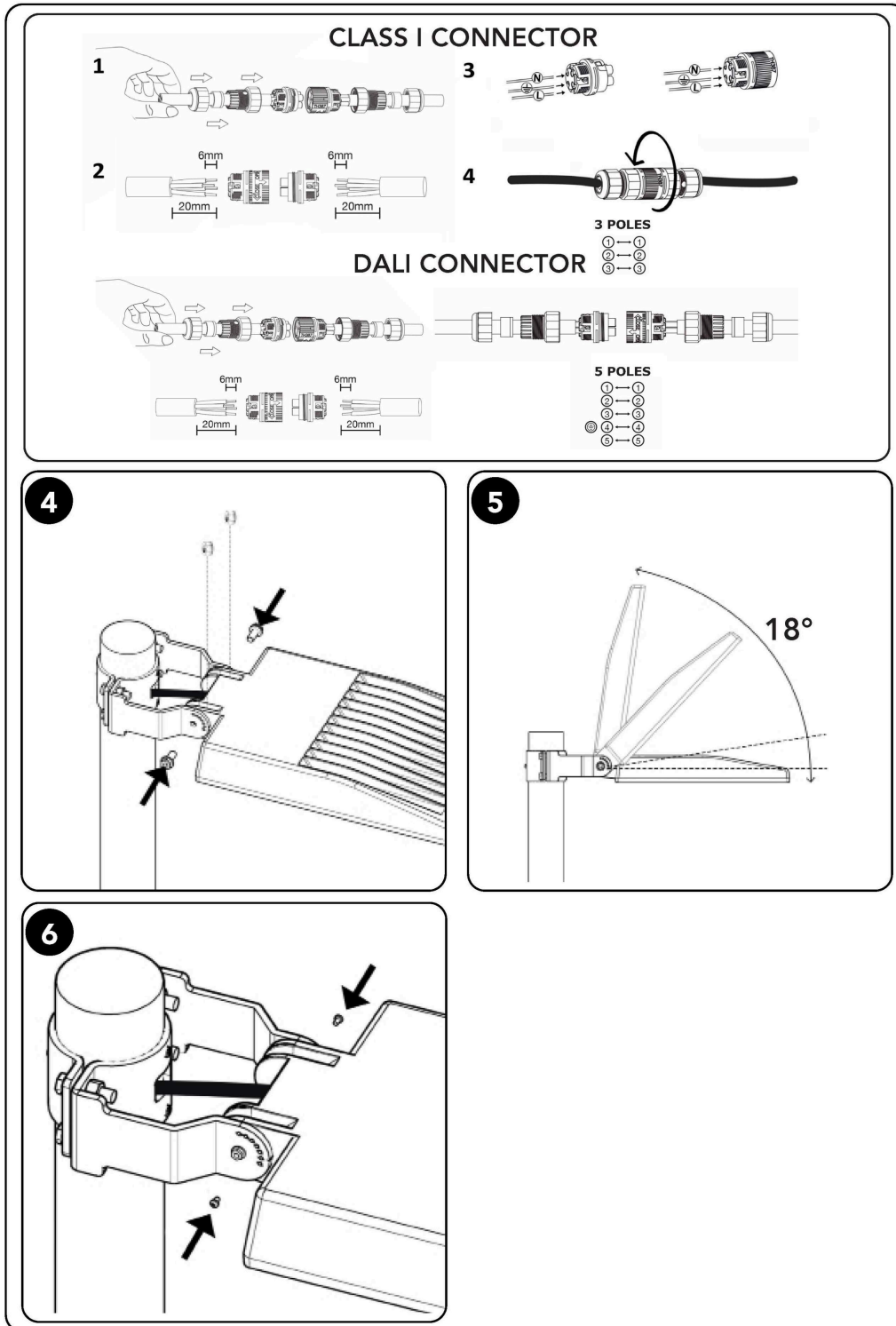
HEAD-POLE ATTACHMENT VERSION



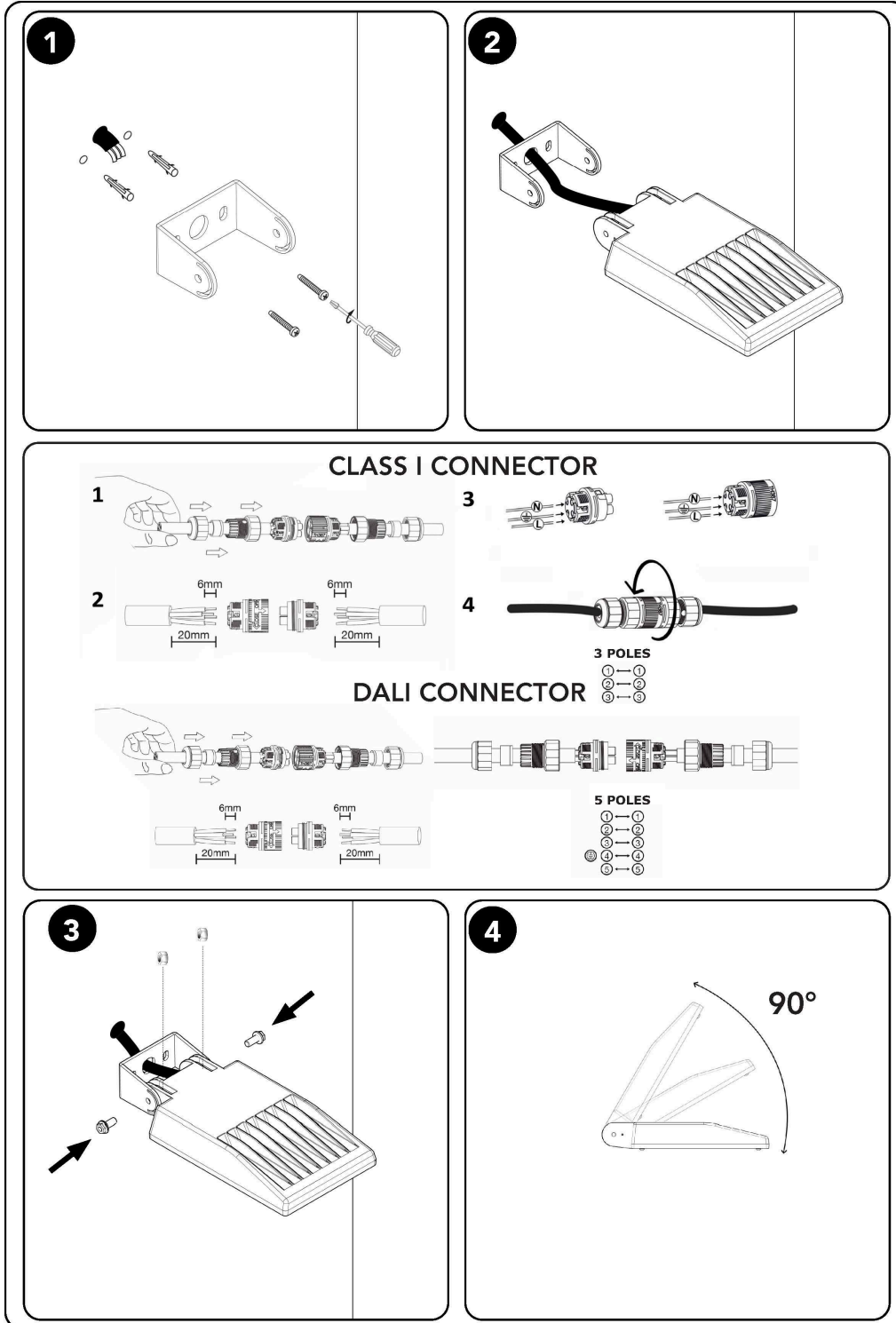


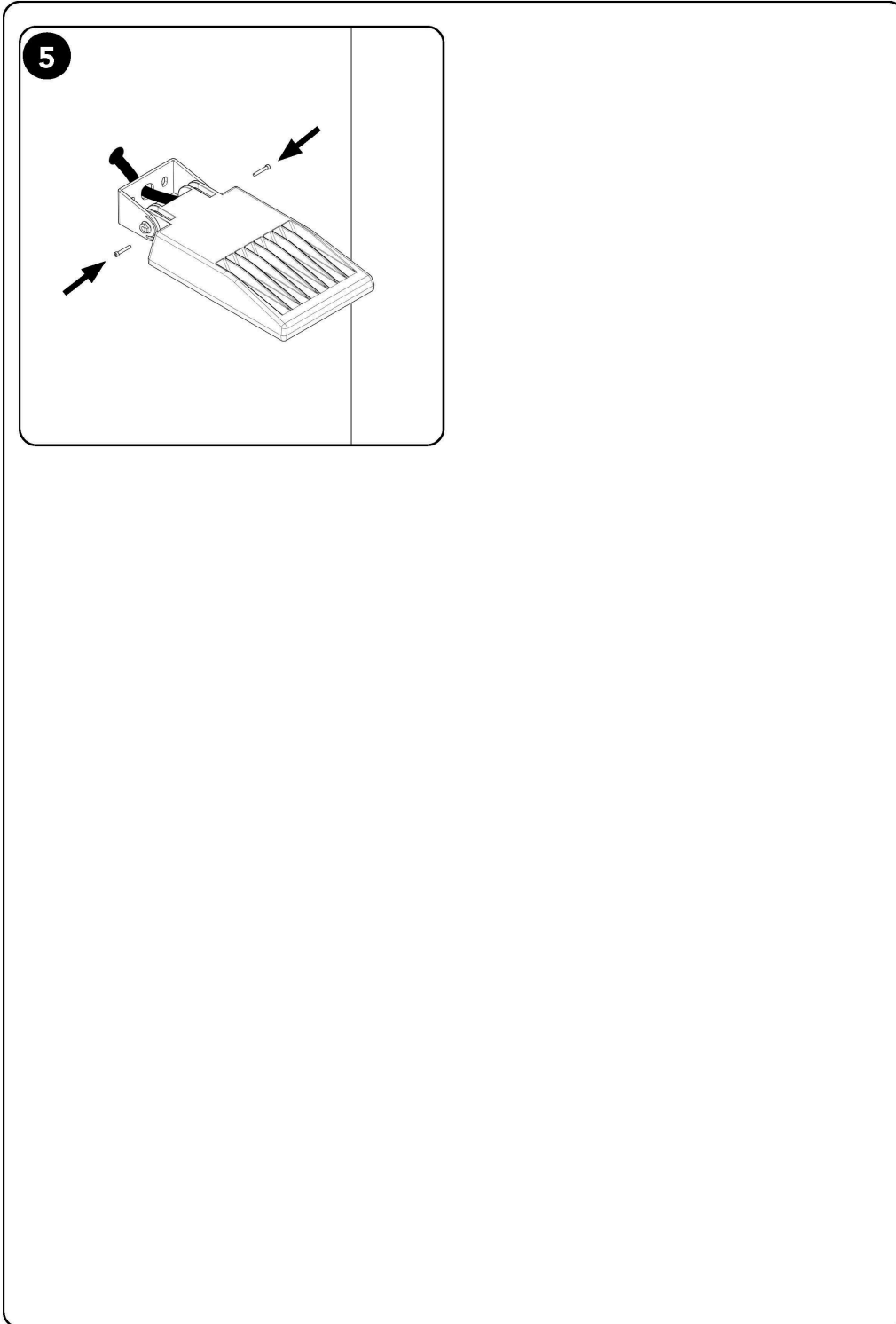
JAW VERSION





SPOT VERSION





IMPORTANT

- To ensure equipment safety you must carefully follow the instructions below. This leaflet must be kept handy by personnel entrusted with all ordinary and extraordinary maintenance.
- Before any installation or maintenance operation on the bulb, make sure it is disconnected from power.
- Fit the correct bulbs, according to the type and power indicated on the lamp data label.
- Make sure the lamp technical features are compatible with the use you are going to make of it.
- Should you have any doubt, refer to the dealer or ask an electrician.
- When connecting to the mains, follow the correct colour code for power cables: (N) blue, (L) brown or black and, only for class I equipment, (T) yellow/green.
- When lamps are to be fitted to the wall directly through their ceramic parts, fasten the fixing screws lightly, to avoid breaking the ceramic.
- To clean the lamp on the outside, use a soft cloth, possibly wet. Do not use solvents or abrasive products. No liquid must get in contact with the lamp interior parts.
- Do not touch the equipment with dirty hands.



= Class I equipment, must be connected to an earth terminal.



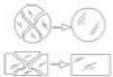
= Double insulated lamp, does not need earthing.



= Electrical equipment in class III, electrical safety guaranteed by low voltage tension, does not require grounding



= Minimum distance to be observed from all lit up objects.



= Replace immediately the safety glass, if damaged, with the original part.



= The lamp uses low pressure bulbs, and needs no protection glass.

P.10

sales@gordonbullard.com
www.bullardbollards.com
1 877-964-4646



991 South Gull Lake Dr.
Richland, MI 49083
USA