



**BULLARD
BOLLARDS**
Think Bollard Think Bullard

INSTALLATION INSTRUCTION

MATT BIG

INSTALLATION TYPE:
SURFACE MOUNTED
WALL LUMINAIRES

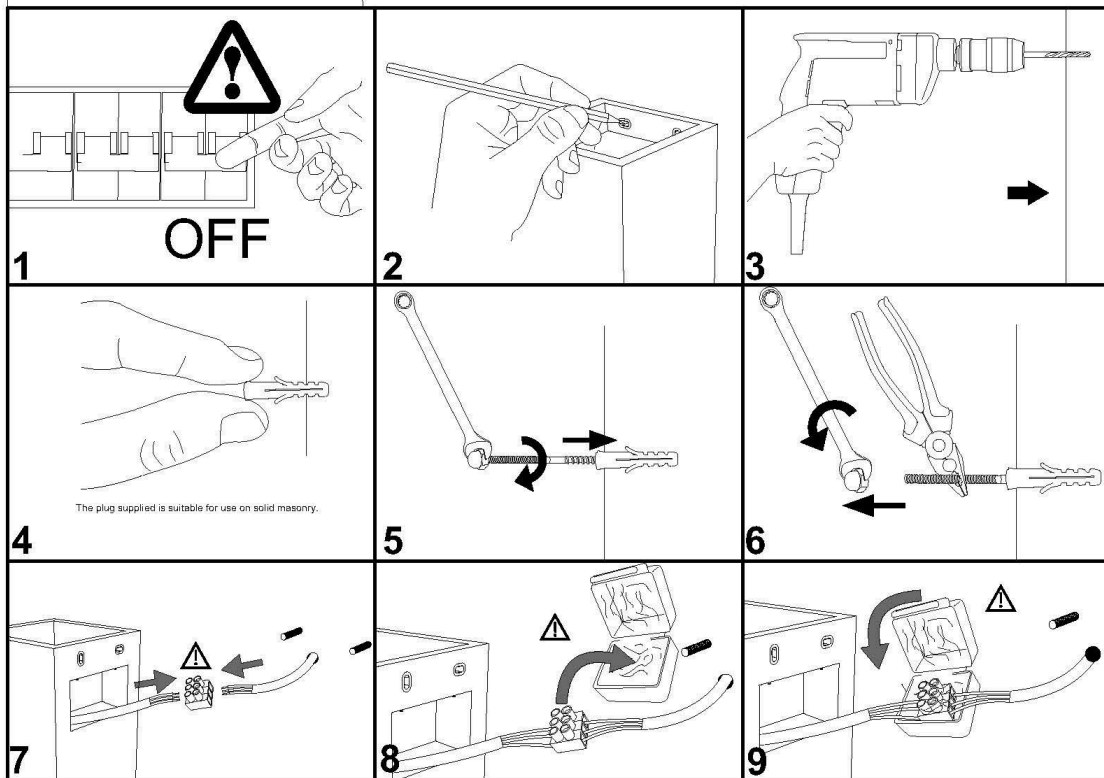
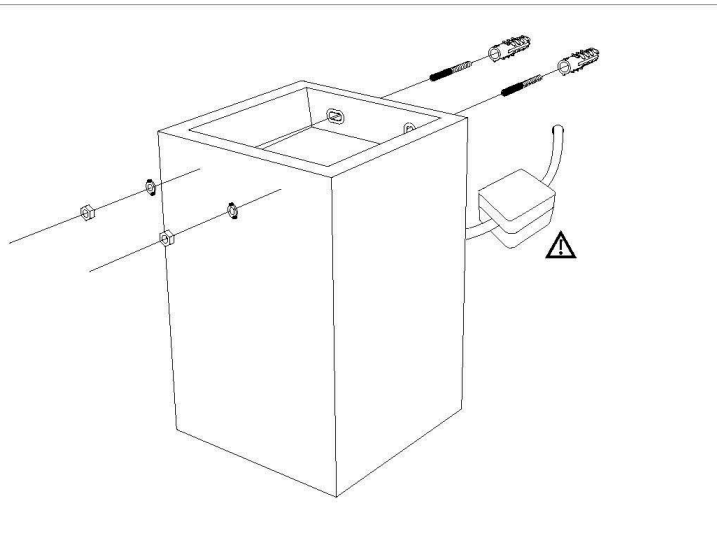




i	MATT BIG 1097
LED	LED
CL	LED
AC	110-277Vac 50/60Hz
IP	IP65
Lb	7.94

✖

C		2x
D		2x
E		2x
F		2x
G		

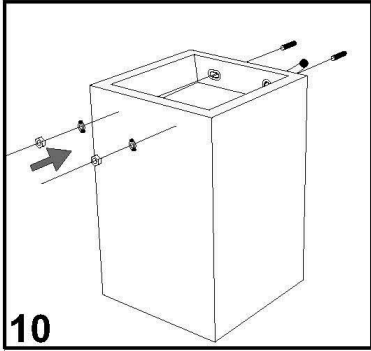


P.2

sales@gordonbullard.com
www.bullardbollards.com
 1 877-964-4646

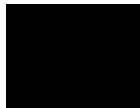


991 South Gull Lake Dr.
 Richland, MI 49083
 USA



Connection terminal not included.
 IP code of the connection must be equal or higher than the article's.
 For the installation qualified personnel may be required
 (recommended MAMMUT/FORBOX 0 015 cm²)
 Max. size for internal connection: 3.6x3.7x2.6cm
 (recommended RAYTECH PASCAL6)

sales@gordonbullard.com
www.bullardbollards.com
 1 877-964-4646



991 South Gull Lake Dr.
 Richland, MI 49083
 USA

IMPORTANT

- To ensure equipment safety you must carefully follow the instructions below. This leaflet must be kept handy by personnel entrusted with all ordinary and extraordinary maintenance.
- Before any installation or maintenance operation on the bulb, make sure it is disconnected from power.
- Fit the correct bulbs, according to the type and power indicated on the lamp data label.
- Make sure the lamp technical features are compatible with the use you are going to make of it.
- Should you have any doubt, refer to the dealer or ask an electrician.
- When connecting to the mains, follow the correct colour code for power cables: (N) blue, (L) brown or black and, only for class I equipment, (T) yellow/green.
- When lamps are to be fitted to the wall directly through their ceramic parts, fasten the fixing screws lightly, to avoid breaking the ceramic.
- To clean the lamp on the outside, use a soft cloth, possibly wet. Do not use solvents or abrasive products. No liquid must get in contact with the lamp interior parts.
- Do not touch the equipment with dirty hands.



= Class I equipment, must be connected to an earth terminal.



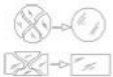
= Double insulated lamp, does not need earthing.



= Electrical equipment in class III, electrical safety guaranteed by low voltage tension, does not require grounding



= Minimum distance to be observed from all lit up objects.



= Replace immediately the safety glass, if damaged, with the original part.



= The lamp uses low pressure bulbs, and needs no protection glass.

