



**BULLARD
BOLLARDS**
Think Bollard Think Bullard

THE CUBY-D

Park/Urban/Garden Pole Luminaires





FIXTURE TYPE: _____

PROJECT NAME: _____

-CD.00.1132



-CD.00.1133



-CD.00.1107



GENERAL INFORMATION:

Series of spot lights to be mounted on floor, wall, spike, tree with belt or on a pole system. Available in various sizes, rotatable and inclinable on the vertical axis, they are designed for lighting facades, small, medium and tall trees, bushes, statues, columns and other architectural elements in general thanks to a wide range of optics and wattage. CUBY-D comes with a series of accessories that ensure different type of mounting and beam control. The body and diffuser closure ring are constructed of high oxidation resistant aluminum alloy which is subjected to nano-bonderite treatment and finished with texturized polyester powder paint, making the product resistant to atmospheric agents and UV rays, guaranteeing maximum protection over the years. Silicone gaskets ensure maximum sealing in all operating and temperature conditions. The ultra transparent tempered sodium calcium glass diffuser ensures maximum light transmittance and is finished with a silkscreen border. All the external screws are in stainless steel.

FIXTURE TYPE:

Urban Luminaires

LIGHTING

LED



VOLTAGE:

110-277V



MATERIAL:

Die-casting aluminum finishing

LENS:

B57

CRI:

80

IP RATING:

IP 65



IK RATING:

IK 07

BUILT FOR THE STORM



sales@gordonbullard.com
www.bullardoutdoor.com
1-877-964-4646



991 South Gull Lake Dr
Richland, MI 49083
USA



FIXTURE TYPE: _____

PROJECT NAME: _____

NOTES:

-CD.00.1132



-CD.00.1133



-CD.00.1107



HOW TO ORDER:

CODE:

1

MODELS:

CODE -CD.00.1132

-AHFT.300

DIMENSIONS:

Length: 3.54" [9 cm]

Width: 3.54" [9 cm]

Height/Projection (H): 5.62" [14.3 cm]

LIGHT SOURCE:

LED / 6.5 W / 3000K / 964 lm

Luminaire efficiency: 81.1 lm/W

Fixture consumption: 7.6 W

Luminaire emission[lm]: 1X620

OPTICAL:

Beam angle: 26°

Light distribution: Symmetrical medium flood (15 ° - 45 °)

Beam directionability: Adjustable

-AHFT.400

DIMENSIONS:

Length: 3.54" [9 cm]

Width: 3.54" [9 cm]

Height/Projection (H): 5.62" [14.3 cm]

LIGHT SOURCE:

LED / 6.5 W / 4000K / 1043 lm

Luminaire efficiency: 97.4 lm/W

Fixture consumption: 7.6 W

Luminaire emission[lm]: 1X745

OPTICAL:

Beam angle: 32°

Light distribution: Symmetrical wide beam (45 ° - 125 °)

Beam directionability: Adjustable



sales@gordonbullard.com

www.bullardoutdoor.com

1-877-964-4646



991 South Gull Lake Dr

Richland, MI 49083

USA



FIXTURE TYPE: _____

PROJECT NAME: _____

NOTES:

-CD.00.1132



-CD.00.1133



-CD.00.1107



HOW TO ORDER:

CODE:

1

MODELS:

CODE -CD.00.1133

-LRST.300

DIMENSIONS:

Length: 31.75" [12.5 cm]

Width: 31.75" [12.5 cm]

Height/Projection (H): 49.53" [19.5 cm]

LIGHT SOURCE:

LED / 14.7 W / 3000K / 2181 lm

Luminaire efficiency: 92.7 lm/W

Fixture consumption: 17.3 W

Luminaire emission[lm]: 1X1604

OPTICAL:

Beam angle: 14°

Light distribution: Symmetrical narrow beam (<=15°)

Beam directionability: Fixed optics

-LRMT.300

DIMENSIONS:

Length: 31.75" [12.5 cm]

Width: 31.75" [12.5 cm]

Height/Projection (H): 49.53" [19.5 cm]

LIGHT SOURCE:

LED / 14.7 W / 3000K / 2181 lm

Luminaire efficiency: 90.6 lm/W

Fixture consumption: 17.3 W

Luminaire emission[lm]: 1X1568

OPTICAL:

Beam angle: 22°

Light distribution: Symmetrical medium flood (15 ° - 45 °)

Beam directionability: Fixed optics



sales@gordonbullard.com

www.bullardoutdoor.com

1-877-964-4646



991 South Gull Lake Dr

Richland, MI 49083

USA



FIXTURE TYPE: _____

PROJECT NAME: _____

NOTES:

-CD.00.1132



-CD.00.1133



-CD.00.1107



HOW TO ORDER:

CODE:

1 MODELS:

CODE -CD.00.1133

-LRFT.300

DIMENSIONS:

Length: 31.75" [12.5 cm]

Width: 31.75" [12.5 cm]

Height/Projection (H): 49.53" [19.5 cm]

LIGHT SOURCE:

LED / 14.7 W / 3000K / 2181 lm

Luminaire efficiency: 90.6 lm/W

Fixture consumption: 17.3 W

Luminaire emission[lm]: 1X1567

OPTICAL:

Beam angle: 35°

Light distribution: Symmetrical medium flood (15 ° - 45 °)

Beam directionability: Fixed optics

-FNST.300

DIMENSIONS:

Length: 31.75" [12.5 cm]

Width: 31.75" [12.5 cm]

Height/Projection (H): 49.53" [19.5 cm]

LIGHT SOURCE:

LED / 27.4 W / 3000K / 3740 lm

Luminaire efficiency: 88.3 lm/W

Fixture consumption: 31.1 W

Luminaire emission[lm]: 1X2750

OPTICAL:

Beam angle: 14°

Light distribution: Symmetrical narrow beam (<=15°)

Beam directionability: Fixed optics



sales@gordonbullard.com
www.bullardoutdoor.com
1-877-964-4646



991 South Gull Lake Dr
Richland, MI 49083
USA



FIXTURE TYPE: _____

PROJECT NAME: _____

NOTES:

-CD.00.1132



-CD.00.1133



-CD.00.1107



HOW TO ORDER:

CODE:

1

MODELS:

CODE -CD.00.1133

-FNMT.300

DIMENSIONS:

Length: 31.75" [12.5 cm]

Width: 31.75" [12.5 cm]

Height/Projection (H): 49.53" [19.5 cm]

LIGHT SOURCE:

LED / 27.4 W / 3000K / 3740 lm

Luminaire efficiency: 90.6 lm/W

Fixture consumption: 17.3 W

Luminaire emission[lm]: 1X1567

OPTICAL:

Beam angle: 35°

Light distribution: Symmetrical medium flood (15 ° - 45 °)

Beam directionability: Fixed optics

-FNFT.300

DIMENSIONS:

Length: 31.75" [12.5 cm]

Width: 31.75" [12.5 cm]

Height/Projection (H): 49.53" [19.5 cm]

LIGHT SOURCE:

LED / 27.4 W / 3000K / 3740 lm

Luminaire efficiency: 86.3 lm/W

Fixture consumption: 31.1 W

Luminaire emission[lm]: 1X2688

OPTICAL:

Beam angle: 22°

Light distribution: Symmetrical medium flood (15 ° - 45 °)

Beam directionability: Fixed optics



sales@gordonbullard.com

www.bullardoutdoor.com

1-877-964-4646



991 South Gull Lake Dr

Richland, MI 49083

USA



FIXTURE TYPE: _____

PROJECT NAME: _____

NOTES:

-CD.00.1132



-CD.00.1133



-CD.00.1107



HOW TO ORDER:

CODE:

1

MODELS:

CODE -CD.00.1133

-LRST.400

DIMENSIONS:

Length: 31.75" [12.5 cm]

Width: 31.75" [12.5 cm]

Height/Projection (H): 49.53" [19.5 cm]

LIGHT SOURCE:

LED / 14.7 W / 4000K / 2345 lm

Luminaire efficiency: 99.7 lm/W

Fixture consumption: 17.3 W

Luminaire emission[lm]: 1X1724

OPTICAL:

Beam angle: 14°

Light distribution: Symmetrical narrow beam (<=15°)

Beam directionability: Fixed optics

-LRMT.400

DIMENSIONS:

Length: 31.75" [12.5 cm]

Width: 31.75" [12.5 cm]

Height/Projection (H): 49.53" [19.5 cm]

LIGHT SOURCE:

LED / 14.7 W / 4000K / 2345 lm

Luminaire efficiency: 97.5 lm/W

Fixture consumption: 17.3 W

Luminaire emission[lm]: 1X1686

OPTICAL:

Beam angle: 22°

Light distribution: Symmetrical medium flood (15 ° - 45 °)

Beam directionability: Fixed optics



sales@gordonbullard.com

www.bullardoutdoor.com

1-877-964-4646



991 South Gull Lake Dr

Richland, MI 49083

USA



FIXTURE TYPE: _____

PROJECT NAME: _____

NOTES:

-CD.00.1132



-CD.00.1133



-CD.00.1107



HOW TO ORDER:

CODE:

1

MODELS:

CODE -CD.00.1133

-LRFT.400

DIMENSIONS:

Length: 31.75" [12.5 cm]

Width: 31.75" [12.5 cm]

Height/Projection (H): 49.53" [19.5 cm]

LIGHT SOURCE:

LED / 14.7 W / 4000K / 2345 lm

Luminaire efficiency: 97.4 lm/W

Fixture consumption: 17.3 W

Luminaire emission[lm]: 1X1685

OPTICAL:

Beam angle: 35°

Light distribution: Symmetrical medium flood (15 ° - 45 °)

Beam directionability: Fixed optics

-FNST.400

DIMENSIONS:

Length: 31.75" [12.5 cm]

Width: 31.75" [12.5 cm]

Height/Projection (H): 49.53" [19.5 cm]

LIGHT SOURCE:

LED / 27.4 W / 4000K / 4022 lm

Luminaire efficiency: 95 lm/W

Fixture consumption: 31.1 W

Luminaire emission[lm]: 1X2957

OPTICAL:

Beam angle: 14°

Light distribution: Symmetrical narrow beam (<=15°)

Beam directionability: Fixed optics



sales@gordonbullard.com

www.bullardoutdoor.com

1-877-964-4646



991 South Gull Lake Dr

Richland, MI 49083

USA



FIXTURE TYPE: _____

PROJECT NAME: _____

NOTES:

-CD.00.1132



-CD.00.1133



-CD.00.1107



HOW TO ORDER:

CODE:

1

MODELS:

CODE -CD.00.1133

-FNMT.400

DIMENSIONS:

Length: 31.75" [12.5 cm]

Width: 31.75" [12.5 cm]

Height/Projection (H): 49.53" [19.5 cm]

LIGHT SOURCE:

LED / 27.4 W / 4000K / 4022 lm

Luminaire efficiency: 92.9 lm/W

Fixture consumption: 31.1 W

Luminaire emission[lm]: 1X2891

OPTICAL:

Beam angle: 22°

Light distribution: Symmetrical medium flood (15 ° - 45 °)

Beam directionability: Fixed optics

-FNFT.400

DIMENSIONS:

Length: 31.75" [12.5 cm]

Width: 31.75" [12.5 cm]

Height/Projection (H): 49.53" [19.5 cm]

LIGHT SOURCE:

LED / 27.4 W / 4000K / 4022 lm

Luminaire efficiency: 92.8 lm/W

Fixture consumption: 31.1 W

Luminaire emission[lm]: 1X2890

OPTICAL:

Beam angle: 35°

Light distribution: Symmetrical medium flood (15 ° - 45 °)

Beam directionability: Fixed optics



sales@gordonbullard.com

www.bullardoutdoor.com

1-877-964-4646



991 South Gull Lake Dr

Richland, MI 49083

USA



FIXTURE TYPE: _____

PROJECT NAME: _____

NOTES:

-CD.00.1132



-CD.00.1133



-CD.00.1107



HOW TO ORDER:

CODE:

1

MODELS:

CODE -CD.00.1107

-CGST.300

DIMENSIONS:

Length: 7.87" [20 cm]

Width: 7.87" [20 cm]

Height/Projection (H): 13.07" [33.2 cm]

LIGHT SOURCE:

LED / 23 W / 3000K / 3501 lm

Luminaire efficiency: 102.7 lm/W

Fixture consumption: 26.1 W

Luminaire emission[lm]: 1X620

OPTICAL:

Beam angle: 16°

Light distribution: Symmetrical medium flood (15 ° - 45 °)

Beam directionability: Fixed optics

-CGMT.300

DIMENSIONS:

Length: 7.87" [20 cm]

Width: 7.87" [20 cm]

Height/Projection (H): 13.07" [33.2 cm]

LIGHT SOURCE:

LED / 23 W / 3000K / 3501 lm

Luminaire efficiency: 97 lm/W

Fixture consumption: 26.1 W

Luminaire emission[lm]: 1X2536

OPTICAL:

Beam angle: 29°

Light distribution: Symmetrical medium flood (15 ° - 45 °)

Beam directionability: Fixed optics



sales@gordonbullard.com

www.bullardoutdoor.com

1-877-964-4646



991 South Gull Lake Dr

Richland, MI 49083

USA



FIXTURE TYPE: _____

PROJECT NAME: _____

NOTES:

-CD.00.1132



-CD.00.1133



-CD.00.1107



HOW TO ORDER:

CODE:

1 MODELS:

CODE -CD.00.1107

-CGFT.300

DIMENSIONS:

Length: 7.87" [20 cm]

Width: 7.87" [20 cm]

Height/Projection (H): 13.07" [33.2 cm]

LIGHT SOURCE:

LED / 23 W / 3000K / 3501 lm

Luminaire efficiency: 86.8 lm/W

Fixture consumption: 26.1 W

Luminaire emission[lm]: 1X2269

OPTICAL:

Beam angle: 72°

Light distribution: Symmetrical wide beam (45 ° - 125 °)

Beam directionability: Fixed optics

-ECST.300

DIMENSIONS:

Length: 7.87" [20 cm]

Width: 7.87" [20 cm]

Height/Projection (H): 13.07" [33.2 cm]

LIGHT SOURCE:

LED / 30.1 W / 3000K / 4239 lm

Luminaire efficiency: 95 lm/W

Fixture consumption: 34.2 W

Luminaire emission[lm]: 1X3250

OPTICAL:

Beam angle: 16°

Light distribution: Symmetrical medium flood (15 ° - 45 °)

Beam directionability: Fixed optics



sales@gordonbullard.com

www.bullardoutdoor.com

1-877-964-4646



991 South Gull Lake Dr

Richland, MI 49083

USA



FIXTURE TYPE: _____

PROJECT NAME: _____

NOTES:

-CD.00.1132



-CD.00.1133



-CD.00.1107



HOW TO ORDER:

CODE:

1 MODELS:

CODE -CD.00.1107

-ECMT.300

DIMENSIONS:

Length: 7.87" [20 cm]

Width: 7.87" [20 cm]

Height/Projection (H): 13.07" [33.2 cm]

LIGHT SOURCE:

LED / 30.1 W / 3000K / 4239 lm

Luminaire efficiency: 89.8 lm/W

Fixture consumption: 34.2 W

Luminaire emission[lm]: 1X3070

OPTICAL:

Beam angle: 29°

Light distribution: Symmetrical medium flood (15 ° - 45 °)

Beam directionability: Fixed optics

-ECFT.300

DIMENSIONS:

Length: 7.87" [20 cm]

Width: 7.87" [20 cm]

Height/Projection (H): 13.07" [33.2 cm]

LIGHT SOURCE:

LED / 30.1 W / 3000K / 4239 lm

Luminaire efficiency: 80.3 lm/W

Fixture consumption: 34.2 W

Luminaire emission[lm]: 1X2748

OPTICAL:

Beam angle: 72°

Light distribution: Symmetrical wide beam (45 ° - 125 °)

Beam directionability: Fixed optics



sales@gordonbullard.com

www.bullardoutdoor.com

1-877-964-4646



991 South Gull Lake Dr

Richland, MI 49083

USA



FIXTURE TYPE: _____

PROJECT NAME: _____

NOTES:

-CD.00.1132



-CD.00.1133



-CD.00.1107



HOW TO ORDER:

CODE:

1

MODELS:

CODE -CD.00.1107

-FLST.300

DIMENSIONS:

Length: 7.87" [20 cm]

Width: 7.87" [20 cm]

Height/Projection (H): 13.07" [33.2 cm]

LIGHT SOURCE:

LED / 41.2 W / 3000K / 5393 lm

Luminaire efficiency: 88.3 lm/W

Fixture consumption: 46.8 W

Luminaire emission[lm]: 1X4135

OPTICAL:

Beam angle: 16°

Light distribution: Symmetrical medium flood (15 ° - 45 °)

Beam directionability: Fixed optics

-FLMT.300

DIMENSIONS:

Length: 7.87" [20 cm]

Width: 7.87" [20 cm]

Height/Projection (H): 13.07" [33.2 cm]

LIGHT SOURCE:

LED / 41.2 W / 3000K / 5393 lm

Luminaire efficiency: 83.4 lm/W

Fixture consumption: 46.8 W

Luminaire emission[lm]: 1X3906

OPTICAL:

Beam angle: 29°

Light distribution: Symmetrical medium flood (15 ° - 45 °)

Beam directionability: Fixed optics



sales@gordonbullard.com

www.bullardoutdoor.com

1-877-964-4646



991 South Gull Lake Dr

Richland, MI 49083

USA



FIXTURE TYPE: _____

PROJECT NAME: _____

NOTES:

-CD.00.1132



-CD.00.1133



-CD.00.1107



HOW TO ORDER:

CODE:

1 MODELS:

CODE -CD.00.1107

-FLFT.300

DIMENSIONS:

Length: 7.87" [20 cm]

Width: 7.87" [20 cm]

Height/Projection (H): 13.07" [33.2 cm]

LIGHT SOURCE:

LED / 41.2 W / 3000K / 5393 lm

Luminaire efficiency: 83.4 lm/W

Fixture consumption: 46.8 W

Luminaire emission[lm]: 1X3906

OPTICAL:

Beam angle: 29°

Light distribution: Symmetrical medium flood (15 ° - 45 °)

Beam directionability: Fixed optics

-CGST.400

DIMENSIONS:

Length: 7.87" [20 cm]

Width: 7.87" [20 cm]

Height/Projection (H): 13.07" [33.2 cm]

LIGHT SOURCE:

LED / 23 W / 4000K / 3698 lm

Luminaire efficiency: 108.5 lm/W

Fixture consumption: 26.1 W

Luminaire emission[lm]: 1X2836

OPTICAL:

Beam angle: 16°

Light distribution: Symmetrical medium flood (15 ° - 45 °)

Beam directionability: Fixed optics



sales@gordonbullard.com

www.bullardoutdoor.com

1-877-964-4646



991 South Gull Lake Dr

Richland, MI 49083

USA



FIXTURE TYPE: _____

PROJECT NAME: _____

NOTES:

-CD.00.1132



-CD.00.1133



-CD.00.1107



HOW TO ORDER:

CODE:

1 MODELS:

CODE -CD.00.1107

-CGMT.400

DIMENSIONS:

Length: 7.87" [20 cm]

Width: 7.87" [20 cm]

Height/Projection (H): 13.07" [33.2 cm]

LIGHT SOURCE:

LED / 23 W / 4000K / 3698 lm

Luminaire efficiency: 102.5 lm/W

Fixture consumption: 26.1 W

Luminaire emission[lm]: 1X2678

OPTICAL:

Beam angle: 29°

Light distribution: Symmetrical medium flood (15 ° - 45 °)

Beam directionability: Fixed optics

-CGFT.400

DIMENSIONS:

Length: 7.87" [20 cm]

Width: 7.87" [20 cm]

Height/Projection (H): 13.07" [33.2 cm]

LIGHT SOURCE:

LED / 23 W / 4000K / 3698 lm

Luminaire efficiency: 91.7 lm/W

Fixture consumption: 26.1 W

Luminaire emission[lm]: 1X2397

OPTICAL:

Beam angle: 72°

Light distribution: Symmetrical wide beam (45 ° - 125 °)

Beam directionability: Fixed optics



sales@gordonbullard.com

www.bullardoutdoor.com

1-877-964-4646



991 South Gull Lake Dr

Richland, MI 49083

USA



FIXTURE TYPE: _____

PROJECT NAME: _____

NOTES:

-CD.00.1132



-CD.00.1133



-CD.00.1107



HOW TO ORDER:

CODE:

1

MODELS:

CODE -CD.00.1107

-ECST.400

DIMENSIONS:

Length: 7.87" [20 cm]

Width: 7.87" [20 cm]

Height/Projection (H): 13.07" [33.2 cm]

LIGHT SOURCE:

LED / 30.1 W / 4000K / 4689 lm

Luminaire efficiency: 105.1 lm/W

Fixture consumption: 34.2 W

Luminaire emission[lm]: 1X3596

OPTICAL:

Beam angle: 16°

Light distribution: Symmetrical medium flood (15 ° - 45 °)

Beam directionability: Fixed optics

-ECMT.400

DIMENSIONS:

Length: 7.87" [20 cm]

Width: 7.87" [20 cm]

Height/Projection (H): 13.07" [33.2 cm]

LIGHT SOURCE:

LED / 30.1 W / 4000K / 4689 lm

Luminaire efficiency: 99.3 lm/W

Fixture consumption: 34.2 W

Luminaire emission[lm]: 1X3396

OPTICAL:

Beam angle: 29°

Light distribution: Symmetrical medium flood (15 ° - 45 °)

Beam directionability: Fixed optics



sales@gordonbullard.com

www.bullardoutdoor.com

1-877-964-4646



991 South Gull Lake Dr

Richland, MI 49083

USA



**BULLARD
BOLLARDS**
Think Bollard Think Bullard

**CODE:
BB-CD-GN-PL**

FIXTURE TYPE: _____

PROJECT NAME: _____

NOTES:

HOW TO ORDER:

CODE:

2

DRAWINGS:

-CD.00.1132



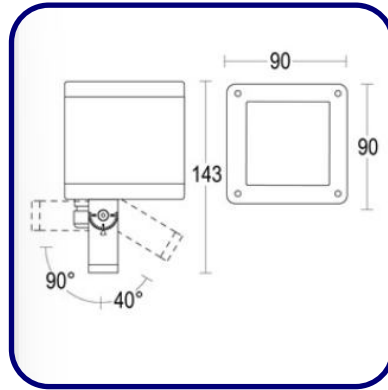
-CD.00.1133



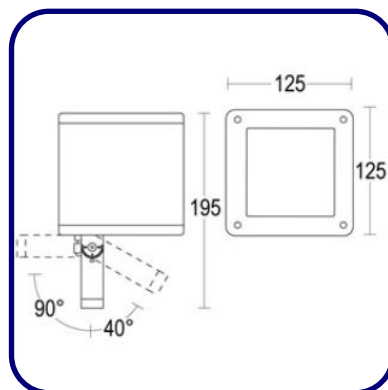
-CD.00.1107



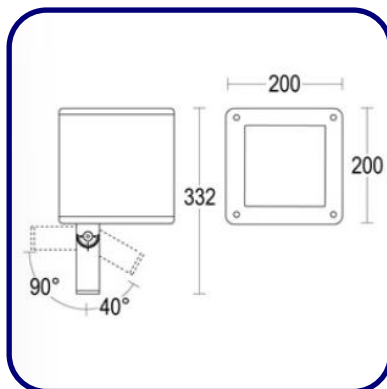
CODE -CD.00.1132



CODE -CD.00.1133



CODE -CD.00.1107



sales@gordonbullard.com
 www.bullardoutdoor.com
 1-877-964-4646



991 South Gull Lake Dr
 Richland, MI 49083
 USA



FIXTURE TYPE: _____

PROJECT NAME: _____

NOTES:

-CD.00.1132



-CD.00.1133



-CD.00.1107



HOW TO ORDER:

CODE:

3 FINISH OPTIONS:

STANDARD FINISHES

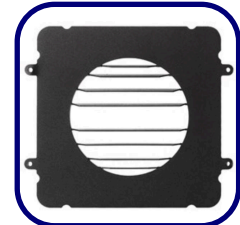
- AG Anthracite grey(matt)
- LG Light grey(matt)

CUSTOM REQUEST FINISHES

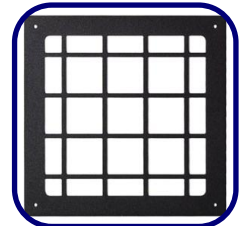
- WM White matt
- BR Bronze
- AGM Antique grey matt
- SM Sand matt
- BM Black matt
- CM Corten matt
- BLM Blue matt
- GM Green matt

4 ACCESSORIES:

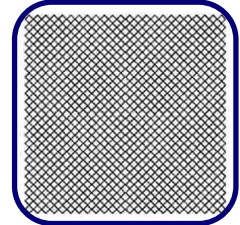
-AC180



-AC181



-AC182



sales@gordonbullard.com
www.bullardoutdoor.com
1-877-964-4646



991 South Gull Lake Dr
Richland, MI 49083
USA



**BULLARD
BOLLARDS**
Think Bullard Think Bullard

**CODE:
BB-CD-GN-PL**

FIXTURE TYPE: _____

PROJECT NAME: _____

NOTES:

HOW TO ORDER:

CODE:

4 ACCESSORIES:

-CD.00.1132



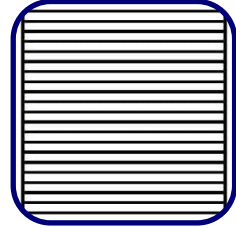
-CD.00.1133



-CD.00.1107



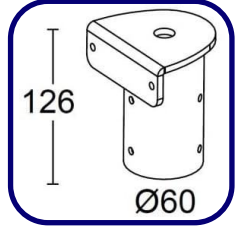
-AC184



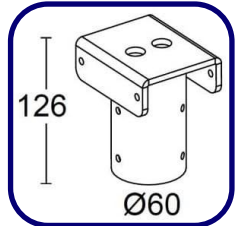
-AC185



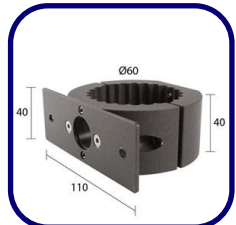
-AC186



-AC187



-AC404



sales@gordonbullard.com
 www.bullardoutdoor.com
 1-877-964-4646



991 South Gull Lake Dr
 Richland, MI 49083
 USA



**BULLARD
BOLLARDS**
Think Bullard Think Bullard

**CODE:
BB-CD-GN-PL**

FIXTURE TYPE: _____

PROJECT NAME: _____

NOTES:

-CD.00.1132



-CD.00.1133



-CD.00.1107



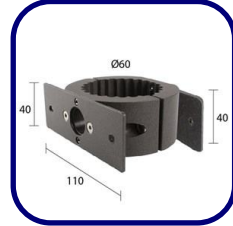
HOW TO ORDER:

CODE:

4

ACCESSORIES:

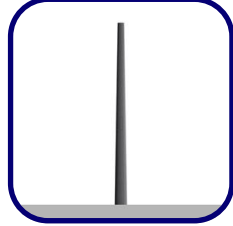
-AC405



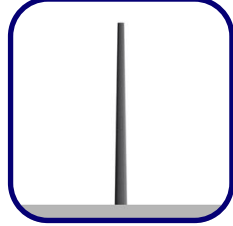
-AC204



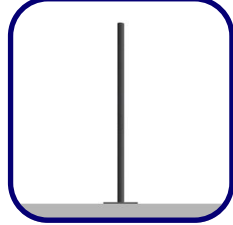
-AC900



-AC903



-AC969



sales@gordonbullard.com
 www.bullardoutdoor.com
 1-877-964-4646



991 South Gull Lake Dr
 Richland, MI 49083
 USA