



**BULLARD
BOLLARDS**
Think Bollard Think Bullard

LITUP
Inground Luminaire - Compact/Mini





**BULLARD
BOLLARDS**
Think Bollard Think Bullard

**CODE:
BB-LT-KPG-IL**

FIXTURE TYPE: _____

PROJECT NAME: _____



GENERAL INFORMATION:

Litup is LED inground light, available in square and round forms, offers stylish illumination options. Crafted from durable die-casting aluminum with sleek stainless steel finishes, Litup ensures longevity and aesthetic appeal. With a focused 24° beam angle and R7 reflector, it delivers uniform lighting. Supporting dimming, it offers brightness control. With an IK rating of 06, Litup guarantees durability in various settings.

FIXTURE TYPE:

Inground Luminaire - Compact/Mini

LIGHTING:

LED

LED

VOLTAGE:

110-277V



MATERIAL:

12# Die-casting aluminium powder coated

CRI:

80

IP RATING:

IP 67

IP67

IK RATING:

IK 06

sales@gordonbullard.com
www.bullardbollards.com
1-877-964-4646



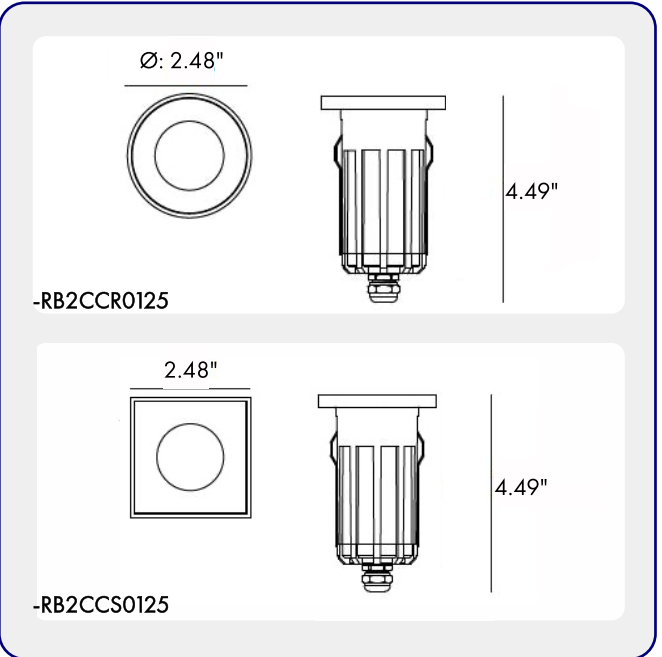
991 South Gull Lake Dr
Richland, MI 49083
USA



FIXTURE TYPE: _____

PROJECT NAME: _____

NOTES:



HOW TO ORDER:

CODE:

Example:
CODE: BB-LT-KPG-IL-XXX-XXX-XXX-XXX-XXX-XXX

BB-LT-KPG-IL-RB2CCR0125-
K30-B- R7-18-B02-

1 MODELS:

CODE -RB2CCR0125

DIMENSIONS:

Diameter - Ø: 2.48" (6.3 cm)
Height - H: 4.49" (11.4 cm)

LIGHT SOURCE:

LED / 1 x 5W / 265 mA / 553 lm / IK 06 / 110-277V

CODE -RB2CCS0125

DIMENSIONS:

Width - W: 2.48" (6.3 cm)
Height - H: 4.49" (11.4 cm)

LIGHT SOURCE:

LED / 1 x 5W / 265 mA / 553 lm / IK 06 / 110-277V

2 CCT OPTIONS:

-K30 3000K
-CUS Custom on request*

3 WATER PROOF SOLUTION: (optional)

-B **A Water-Stopper(Included)**
IP-67 water-stopper is added in the end of luminaires as standard assembly which is also an important system for water resistance.



B IP67 Jiffy quick plug/socket connector(Optional)
IP-67 connector is as an Optional assembly and ensures that water vapor will not enter into luminaires directly.

4 OPTICS:

-R7-18	18°	-R7-18	18°
-R7-24	24°	-R7-24	24°
-R7-32	32°	-R7-32	32°

sales@gordonbullard.com
www.bullardbollards.com
1-877-964-4646



991 South Gull Lake Dr
Richland, MI 49083
USA



**BULLARD
BOLLARDS**
Think Bollard Think Bullard

**CODE:
BB-LT-KPG-IL**

FIXTURE TYPE: _____

PROJECT NAME: _____

NOTES:



HOW TO ORDER:

CODE:

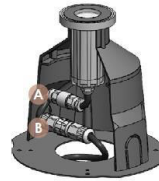
Example:
CODE: BB-LT-KPG-IL-XXX-XXX-XXX-XXX-XXX-XXX

BB-LT-KPG-IL-RB2CCR0125-K30-B-R7-18-B02-

5 ACCESSORIES:

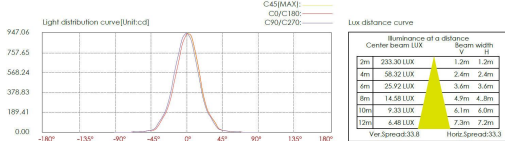
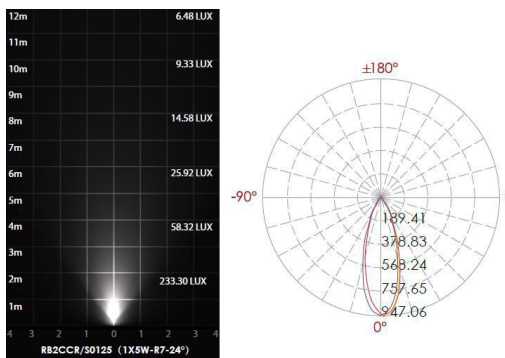
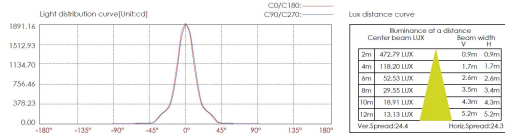
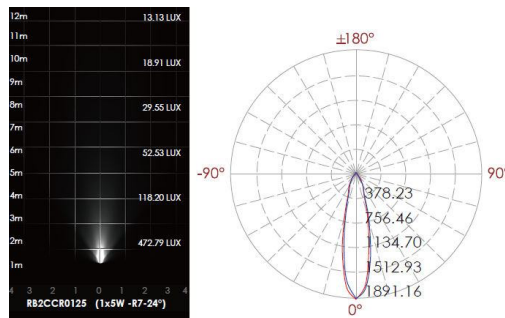
SLEEVE (OPTION 1)

SLEEVE (OPTION 2)



- B02
- RB2CCR0125
- 087#
- RB2CCR0125
- B03
- RB2CCS0125
- 088#
- RB2CCS0125

6 PHOTOMETRIC INFO:



sales@gordonbullard.com
www.bullardbollards.com
1-877-964-4646



991 South Gull Lake Dr
Richland, MI 49083
USA