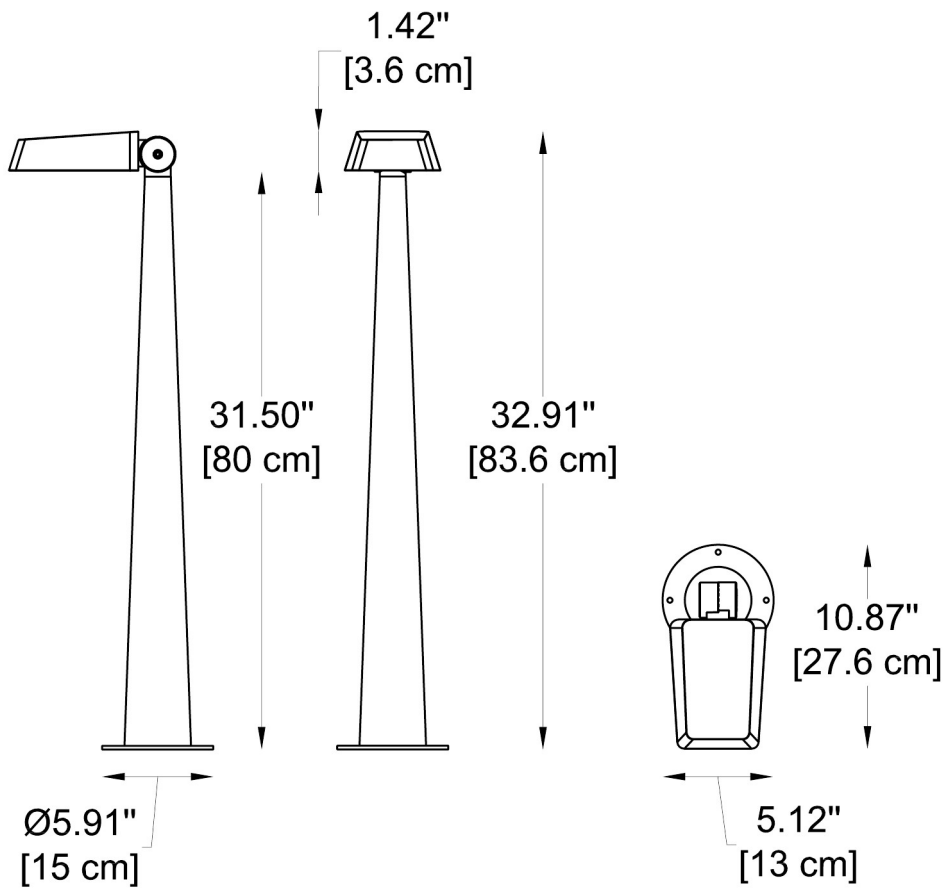
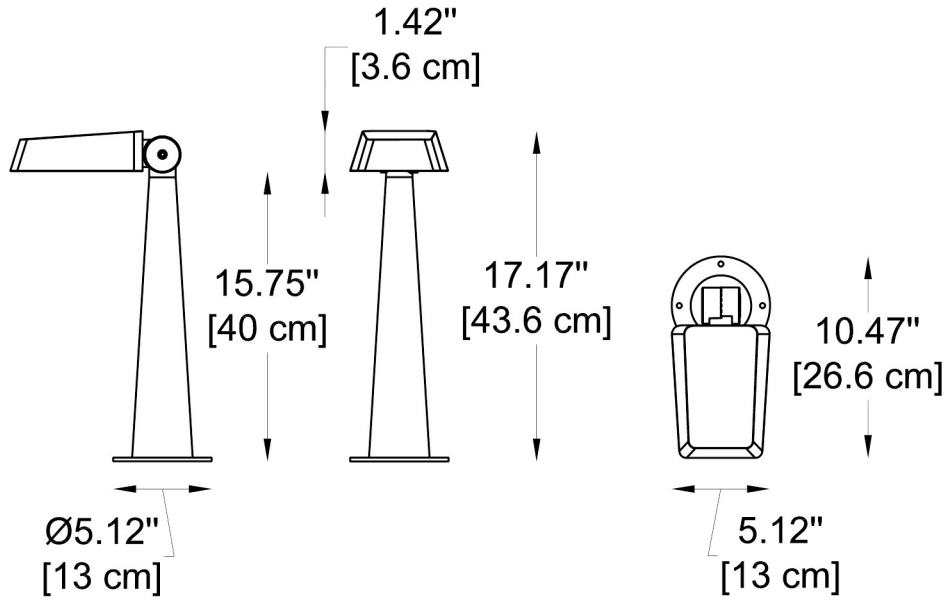


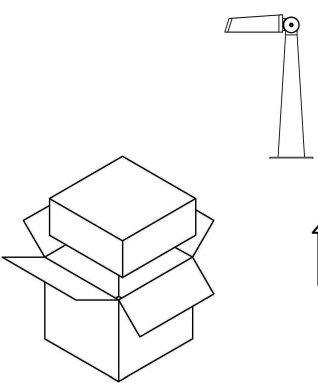


THE NAVI

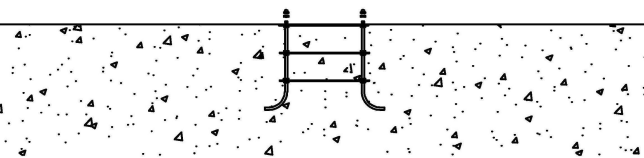
Dimensions



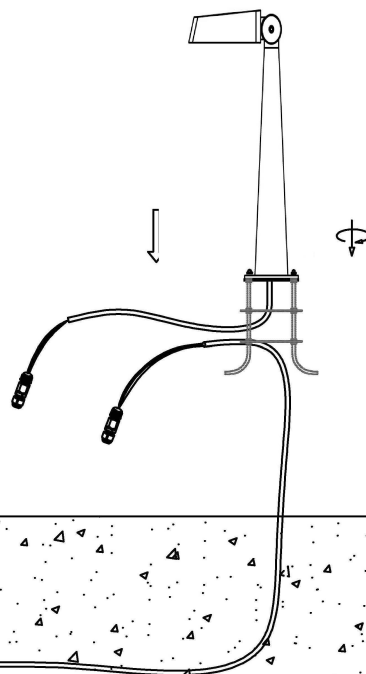
Installation Instructions



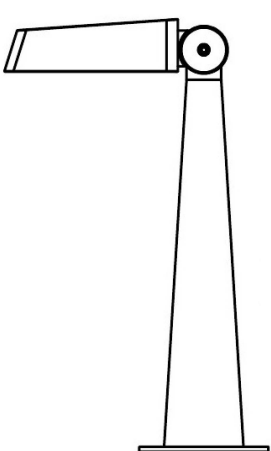
1. Take out the lamps and find the corresponding accessories.



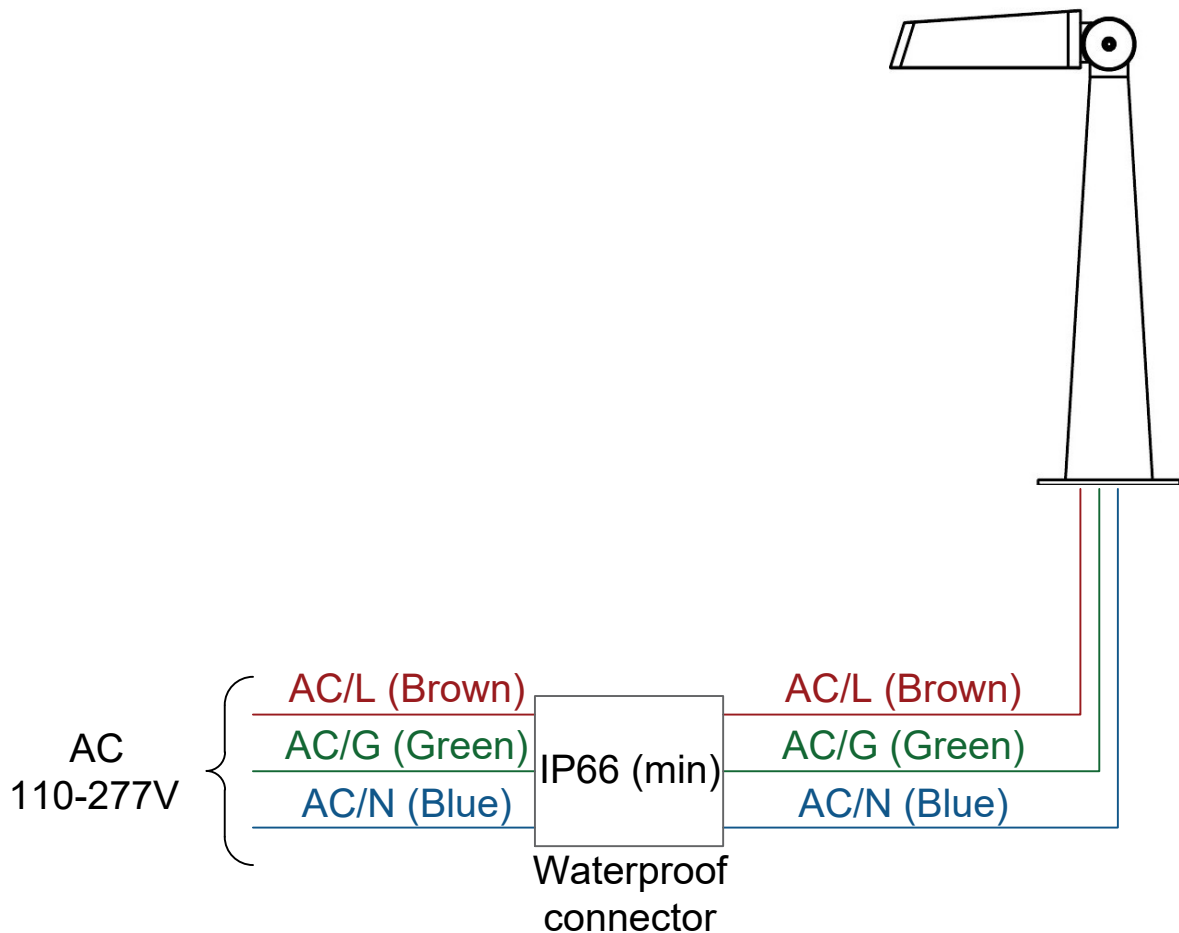
2. Schematic diagram of safety column dimensions.



3. Link power main line.
 4. Put the lamp body into the ground cage and fix it.



5. Lamp size drawing.
 6. Try to light lamps.



WARNING:

- The safety of this fixture is guaranteed only if you comply with these instructions.
- The appliance must not be tampered with or transformed and it must be installed and used as supplied and in compliance with the national rules on installations.
- Switch-off the power supply before carrying out any maintenance operations. hot plug-in is not allow and may cause damage to the luminaire.
- Installation and service must be performed by qualified service personnel.
- Any non-compliant installations will invalidate all forms of guarantee.