



**BULLARD  
BOLLARDS**  
Think Bollard Think Bullard

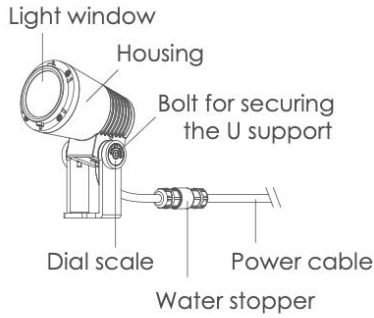
INSTALLATION INSTRUCTION  
01/28/2026

# TERRI



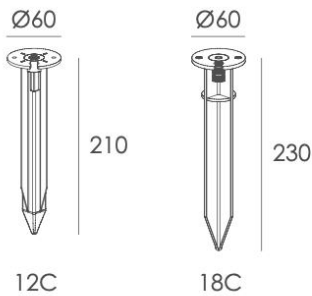
## Exterior details

### Luminaire

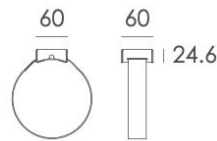


### Optional accessories

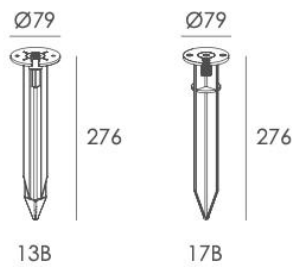
#### Spike



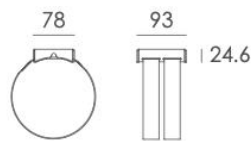
#### Tree pole strap



#### Spike



#### Tree pole strap

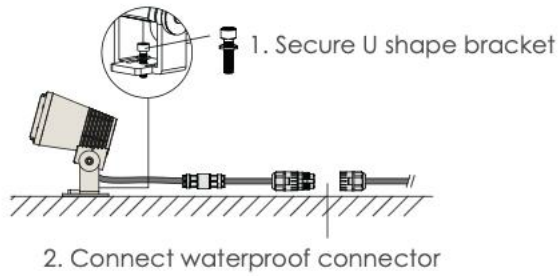


## Data Sheet:

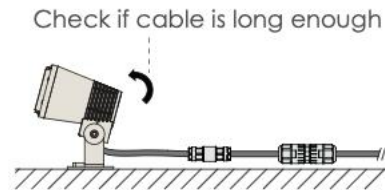
Input Voltage (V): 110-277  
 IK: 06

## Installation steps

### Step 1

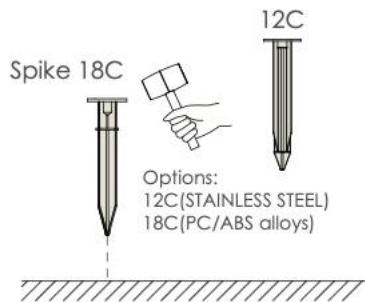


### Step 2

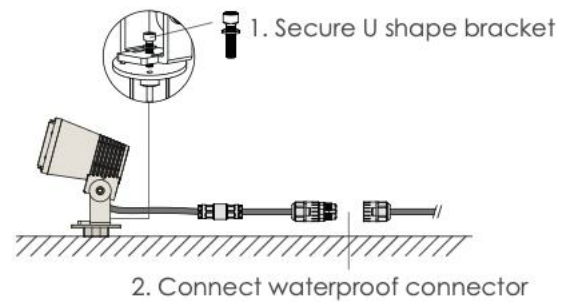


## Accessories assemble - Spike

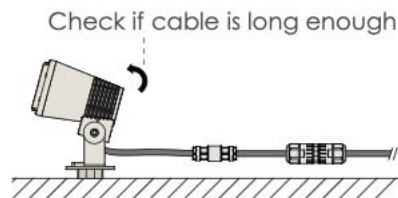
### Step 1



### Step 2

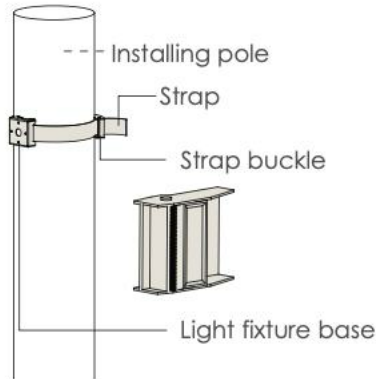


### Step 3

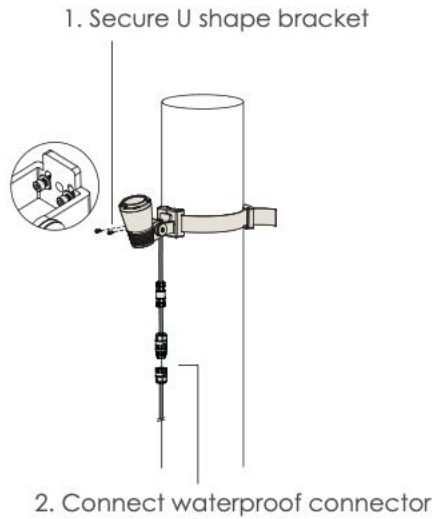


**Accessories assemble - Tree pole strap**

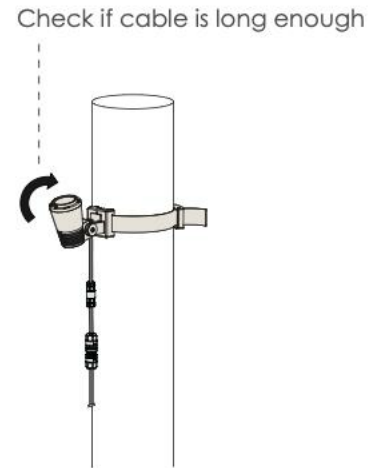
**Step 1**



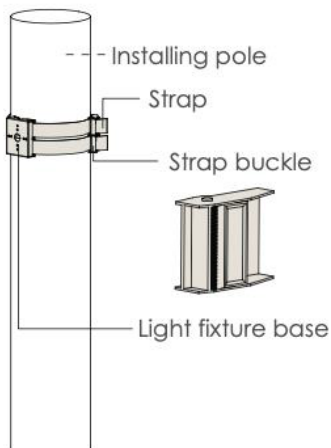
**Step 2**



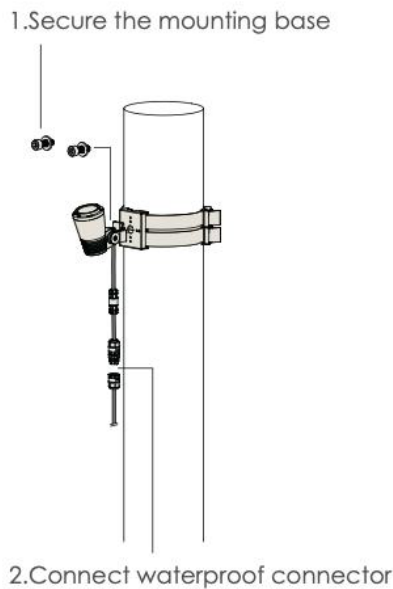
**Step 3**



**Step 1**



**Step 2**



**Step 3**

