

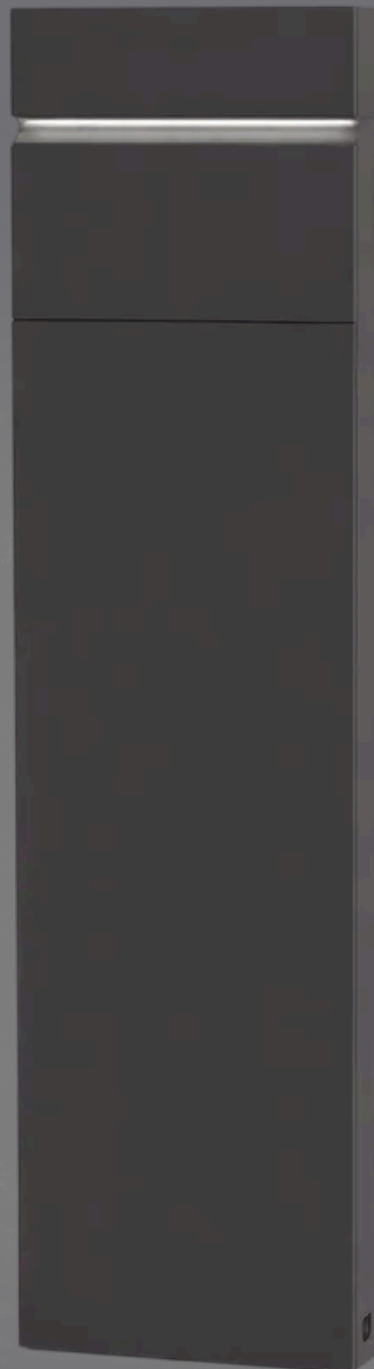


**BULLARD  
BOLLARDS**  
Think Bollard Think Bullard

# INSTALLATION INSTRUCTION




## KEA

INSTALLATION TYPE:  
STANDARD GRADE



**NB: These assembly instructions must be given to end users for correct maintenance and so that they know how to change the bulb. The appliance must not be tampered with or transformed and it must be installed and used as supplied and in compliance with the National Rules on Installations. Any non-compliant installations will invalidate all forms of guarantee. THE COMPANY CANNOT BE HELD RESPONSIBLE FOR DAMAGE CAUSED BY INCORRECT ASSEMBLY.**

**Features - meaning of the symbols shown on the label:**

<p><b>IP65</b></p> <p>Totally dust proof. Protected against water jets from any directions.</p>	 <p><b>Class I</b> Simple insulation: earth required.</p>	 <p>Replace protective screen if damaged. Contact us or one of our resellers.</p>	 <p>Cannot be disposed of as urban waste. Separate waste collection mandatory at end of product's life cycle. "WEEE member consortium: Ecolight. National Registry of Manufacturers n°: IT0801000000166"</p>
---	--	--	---

**ATTENTION**



Switch-off the power supply before any installation and maintenance operations

**ATTENTION**



**HOT SURFACE. Do NOT Touch. Allow to cool before servicing.**

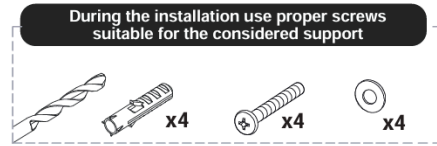
**ATTENTION:**

For outdoor installation, flexible neoprene rubber tri-polar cable of the H07RN-F type must be used. The cable diameter must be between 6 and 12mm. PVC insulated cables or with outer PVC cover or anyhow cables different from the one here prescribed are not allowed. Cable not included.

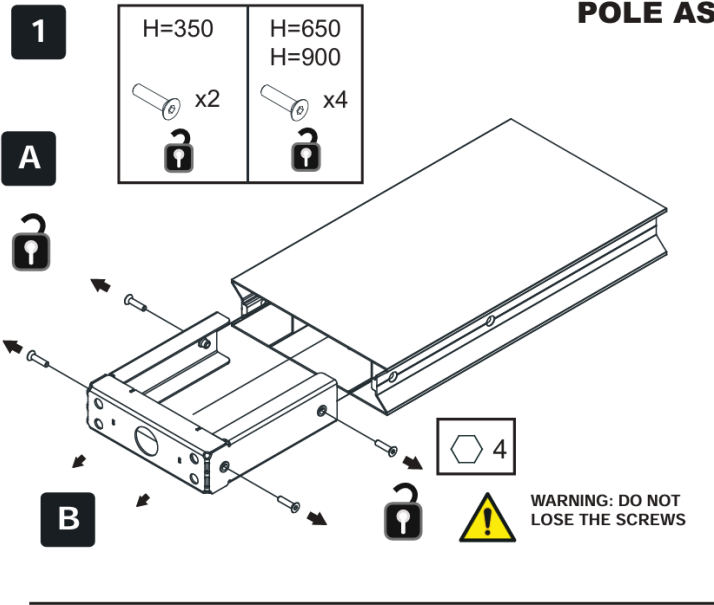
**ATTENTION MAINTENANCE**

**LED VERSION:**  
The light source contained in this luminaire shall only be replaced by the manufacturer or his service agent or a similar qualified person.  
It is essential to do a frequent cleaning of the glass and of the outer surface of the fixture to avoid build up of mud and dirtiness resulting in dangerous overheating due to incorrect light and heat dissipation.

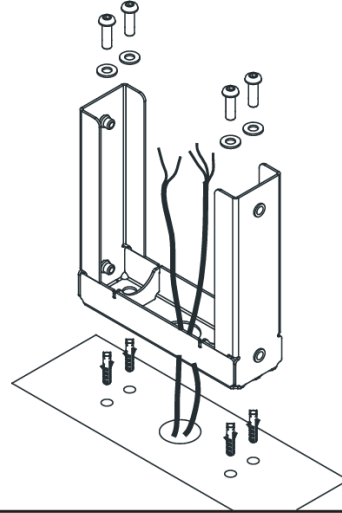
NB: tools, screws, washer and dowels not included



**POLE ASSEMBLY**



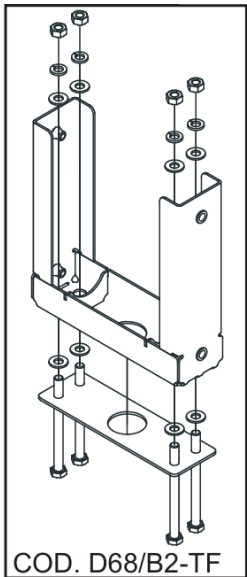
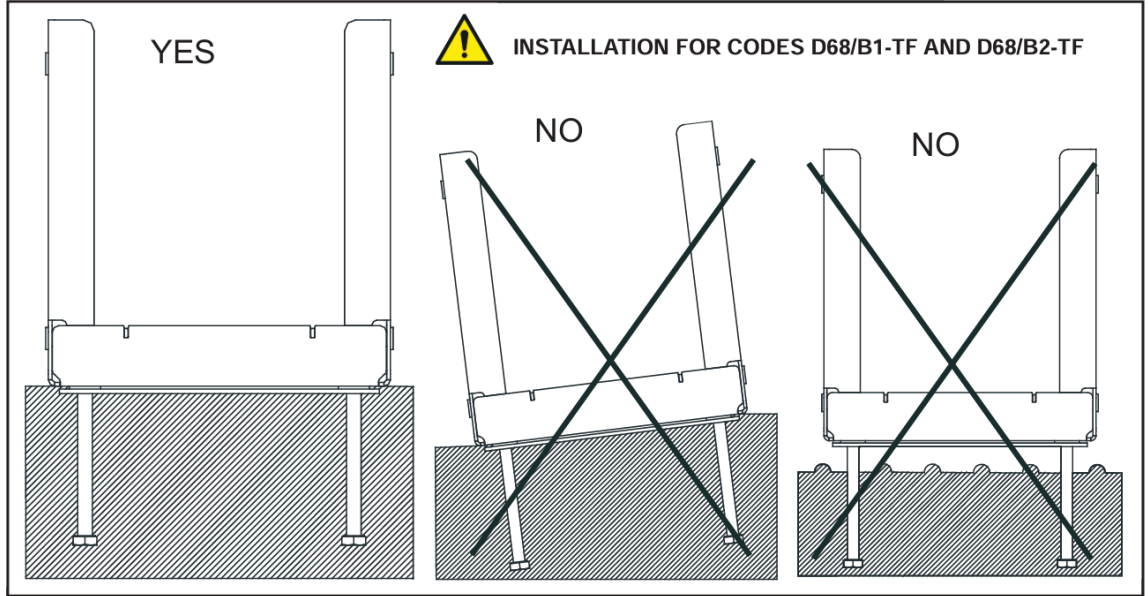
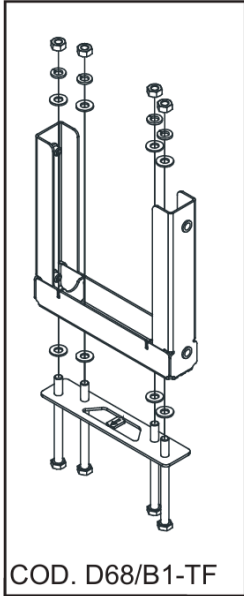
**2A DRILL THE HOLES IN THE MOUNTING SURFACE FIT THE ANCHOR PLATE**



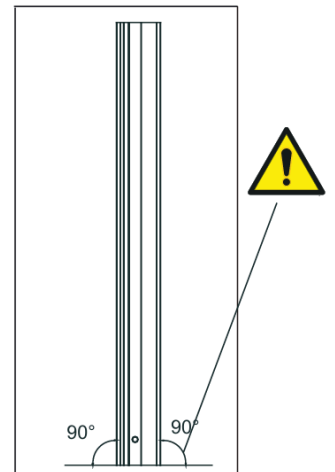
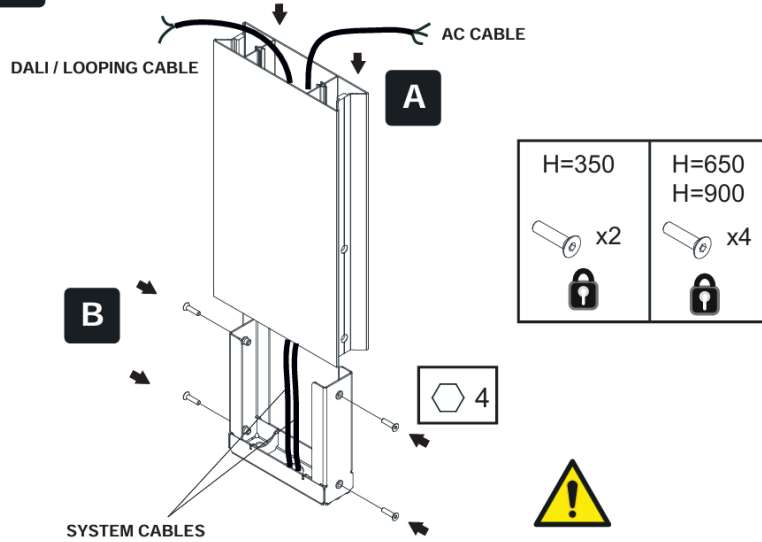
**2B** OPTIONAL MOUNTING SYSTEM CODE D68/B1-TF AND CODE D68/B2-TF



Cement the counterplate to the anchor plates and secure the base with the included nuts and washers

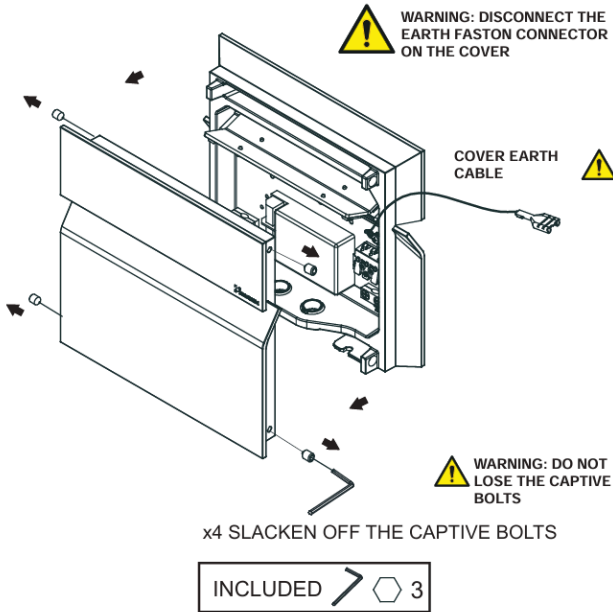


**3** SECURE THE POLE TO THE ANCHOR PLATE

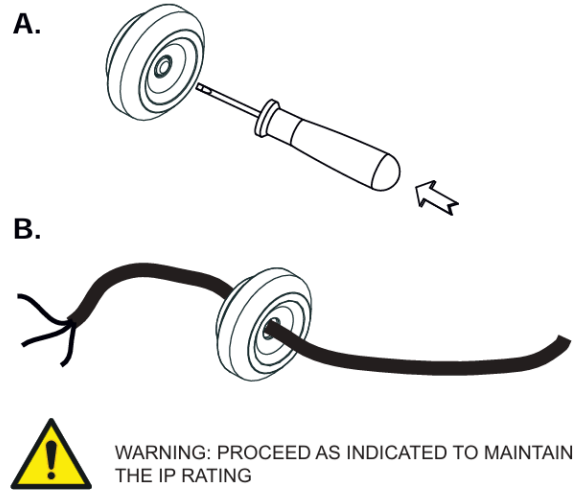


**ASSEMBLING THE FIXTURE HEAD - POLE**

**4 SLACKEN OFF THE CAPTIVE BOLTS AND REMOVE THE LAMP'S COVER**

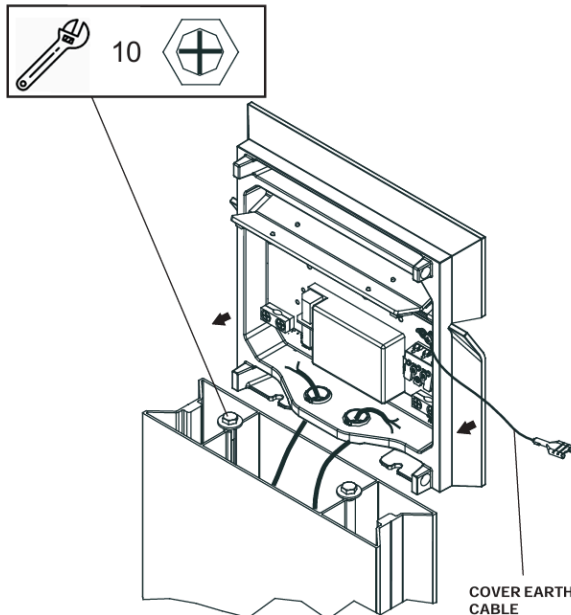


**5 OPEN THE CABLE GLAND AND INSERT THE CABLE**

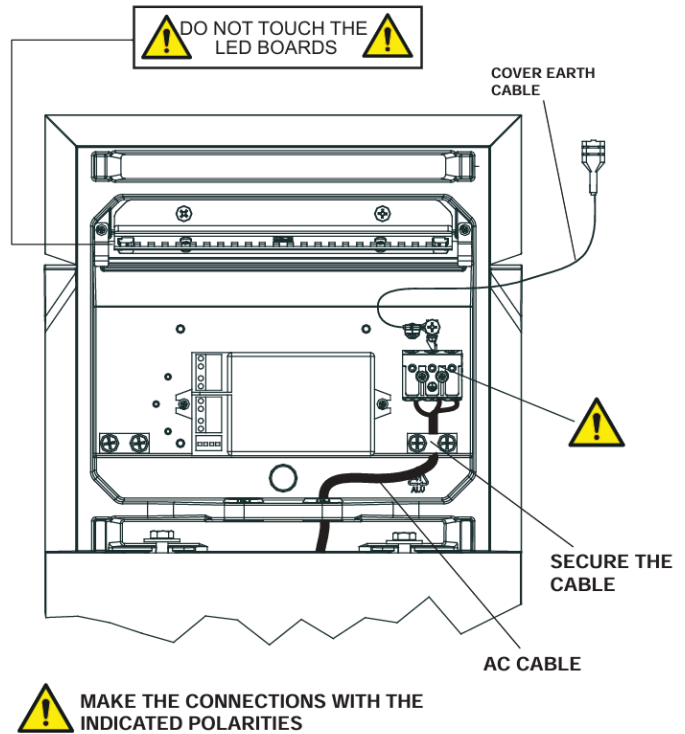


**6 INSERT THE CABLES INTO THE SEAL MEMBRANE. SECURE THE BASE OF THE LIGHTING FIXTURE TO THE POLE**

**SLACKEN OFF THE SCREWS, POSITION THE LIGHTING FIXTURE'S BASE AND TIGHTEN THE SCREWS DOWN TO 3.5 N/m**

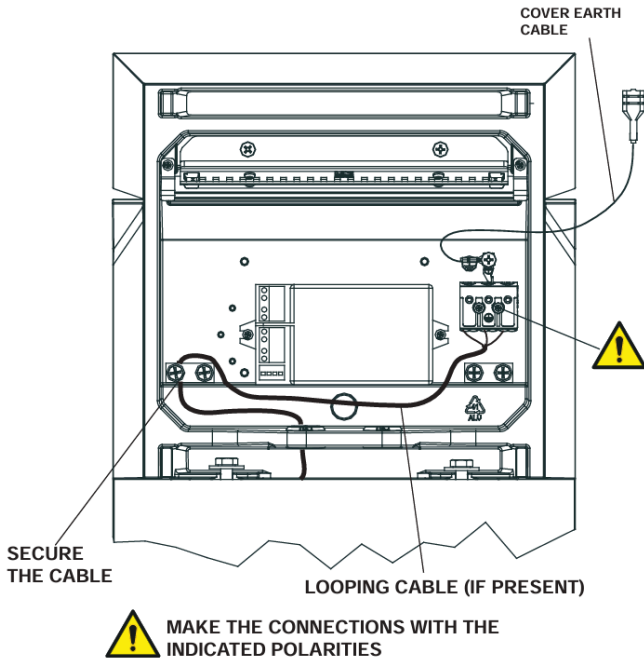


**7A AC ELECTRICAL CONNECTIONS**

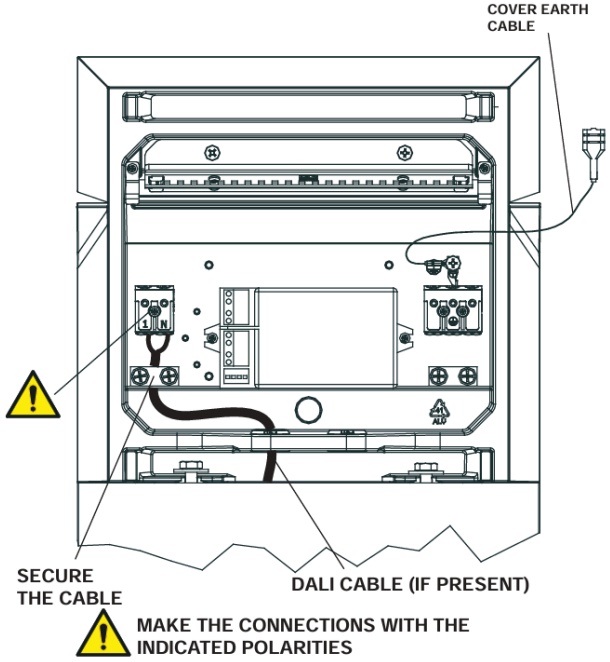




**7B LOOPING ELECTRICAL CONNECTIONS  
(IF PRESENT)**

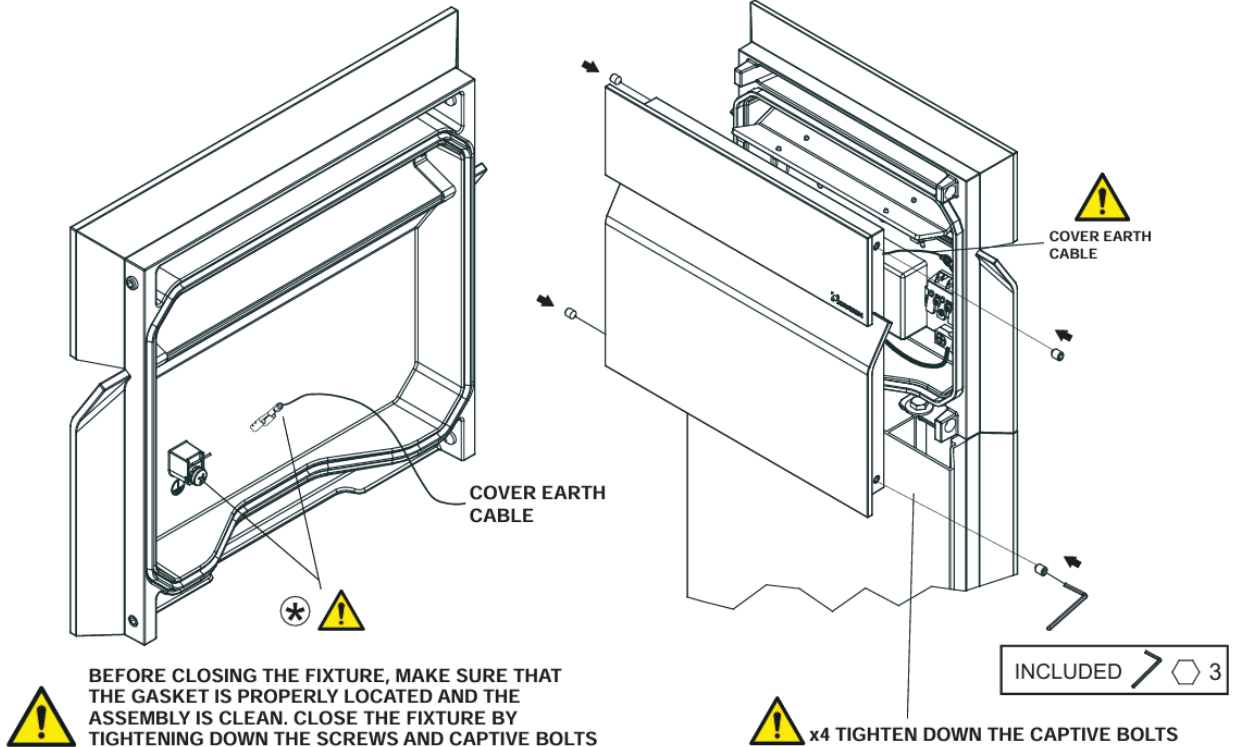


**7C DALI ELECTRICAL CONNECTIONS  
(IF PRESENT)**



**8 CLOSE THE FIXTURE**

⚠️ \* WARNING: BEFORE CLOSING THE LAMP, CONNECT THE FASTON EARTH CONNECTOR ON THE COVER



[sales@gordonbullard.com](mailto:sales@gordonbullard.com)  
[www.bullardbollards.com](http://www.bullardbollards.com)  
1 877-964-4646



991 South Gull Lake Dr.  
Richland, MI 49083  
USA