



**BULLARD
BOLLARDS**
Think Bollard Think Bullard

GUARD
BB-GRD-GLC



FIXTURE TYPE: _____

PROJECT NAME: _____



GENERAL INFORMATION:

The GUARD Bollard from Bullard Bollards is a modern stainless steel fixture designed for durability and style, featuring IP65 protection, an integral driver, and efficient 8W LED lighting with CRI 80. Offering CCT options of 2700K, 3000K, or 4000K, it is available with dimming controls including 0-10V, Casambi, Lutron, and DALI. With a minimal yet striking design and finish options in Black, White, or Custom colors, the GUARD provides glare-free, functional illumination—ideal for pathways, plazas, and architectural landscapes.

FIXTURE TYPE:

Bollard

VOLTAGE:

110-277V



MATERIAL:

Stainless steel

IP RATING:

IP 65



DRIVER POSITION:

Integral

WARRANTY:

LED lighting products are warranted for 5 years

APPLIANCE CLASS:

I



MAIN FEATURES:

- High visual comfort
- Wide range of finishes
- Functional design
- Minimal design
- Shock resistant
- Operating Temperature: -20°C~ +35°C

THINK BOLLARD - THINK BULLARD

sales@gordonbullard.com
www.bullardbollards.com
1-877-964-4646



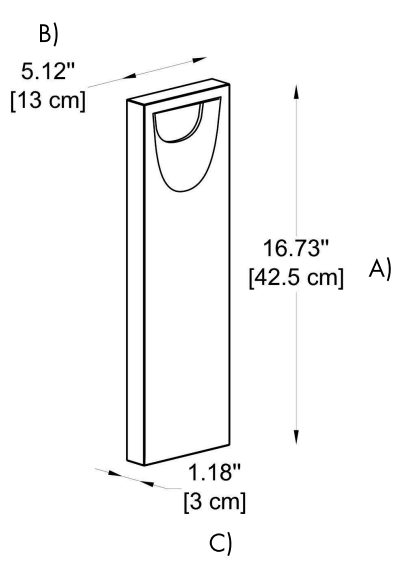
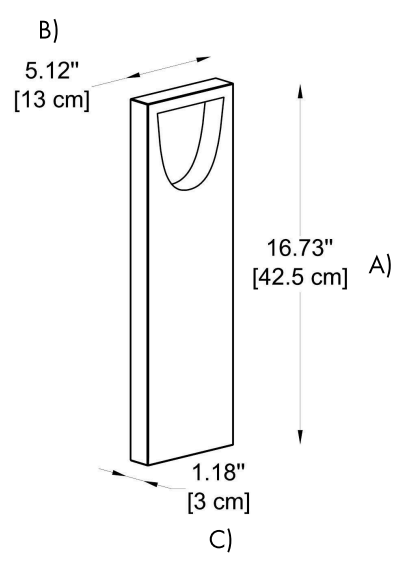
991 South Gull Lake Dr
Richland, MI 49083
USA



FIXTURE TYPE: _____

PROJECT NAME: _____

NOTES:



HOW TO ORDER: CODE:

Example:
CODE: BB-GRD-1-30K-DIM-WH

BB-GRD-1-30K-DIM-WH

1 MODELS:

-1
DIMENSIONS:
A) Height - H: 16.73" (42.5 cm)
B) Length - L: 5.12" (13 cm)
C) Width - W: 1.18" (3 cm)

-2
DIMENSIONS:
A) Height - H: 16.73" (42.5 cm)
B) Length - L: 5.12" (13 cm)
C) Width - W: 1.18" (3 cm)

2 LIGHT SOURCE:

LED / 8W / 110-277V / CRI80

3 CCT:

- 27K** 2700K
- 30K** 3000K
- 40K** 4000K

4 DIMMING OPTIONS:

- NON** NON-Dimmable
- DIM** 0-10V
- CAS** Casambi
- LUT** Lutron
- DL** DALI

5 FINISH OPTIONS:

- BL** Black
- WH** White
- GR** Grey
- CUS** Custom colors on request*

THINK BOLLARD - THINK BULLARD

sales@gordonbullard.com
www.bullardbollards.com
1-877-964-4646



991 South Gull Lake Dr
Richland, MI 49083
USA