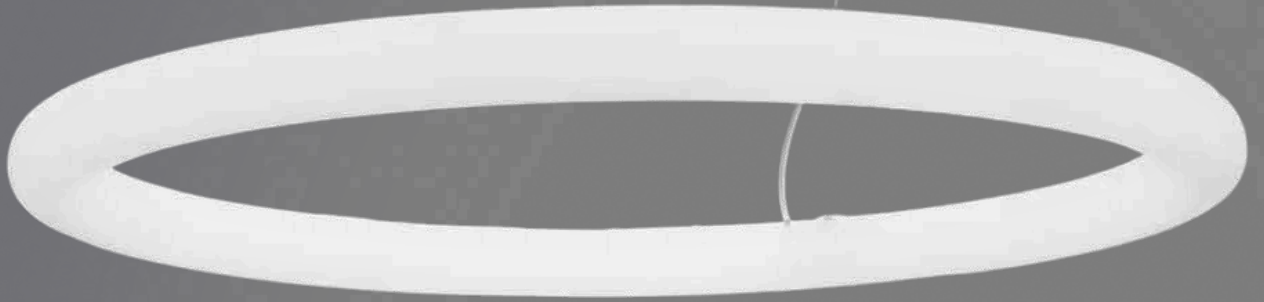




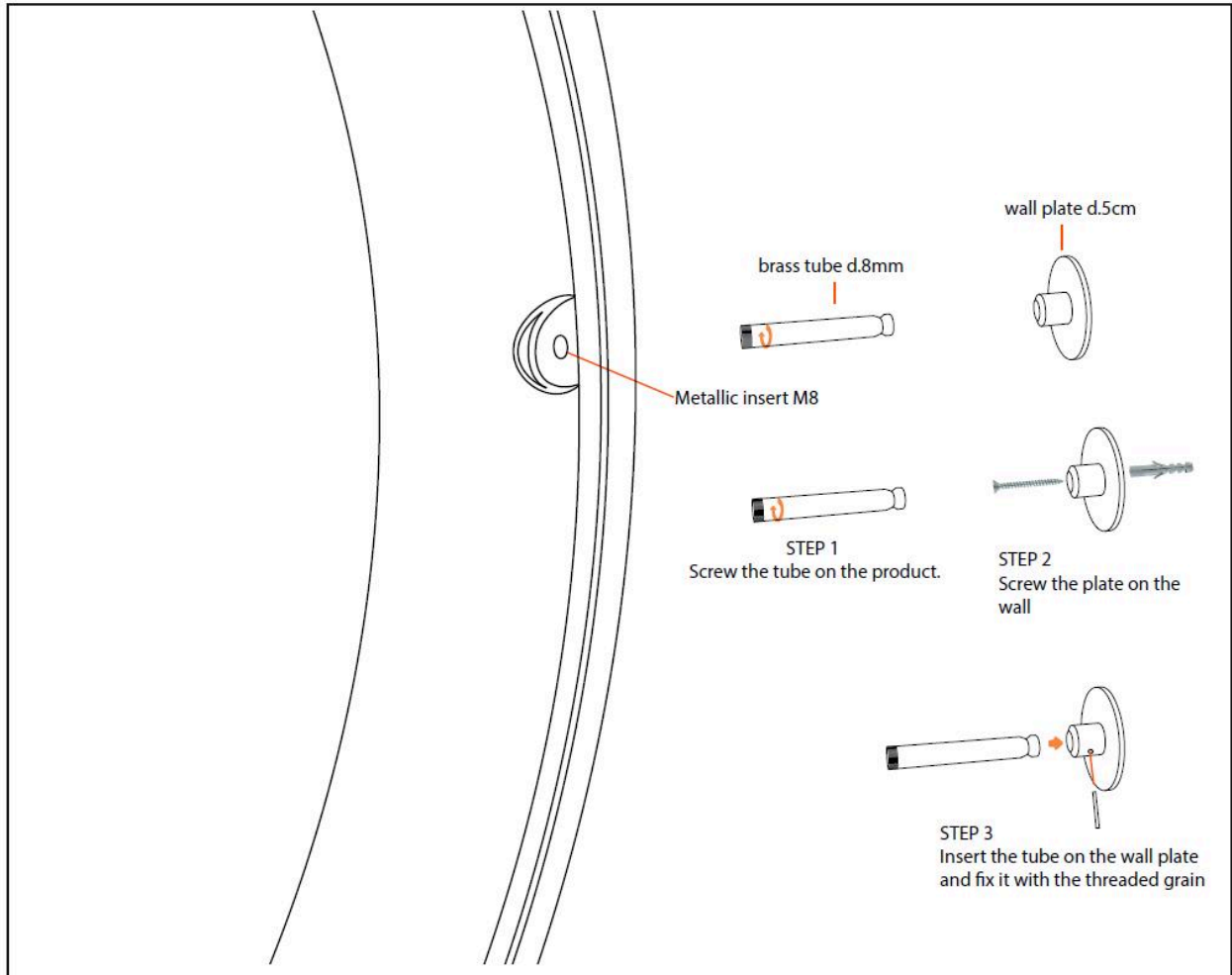
**BULLARD
BOLLARDS**
Think Bollard Think Bullard



GIOTTO

INSTALLATION TYPE:
PENDANT





Certifies the conformity of the product to the European Community instructions.



Appliance suitable for installation on normally inflammable surfaces.



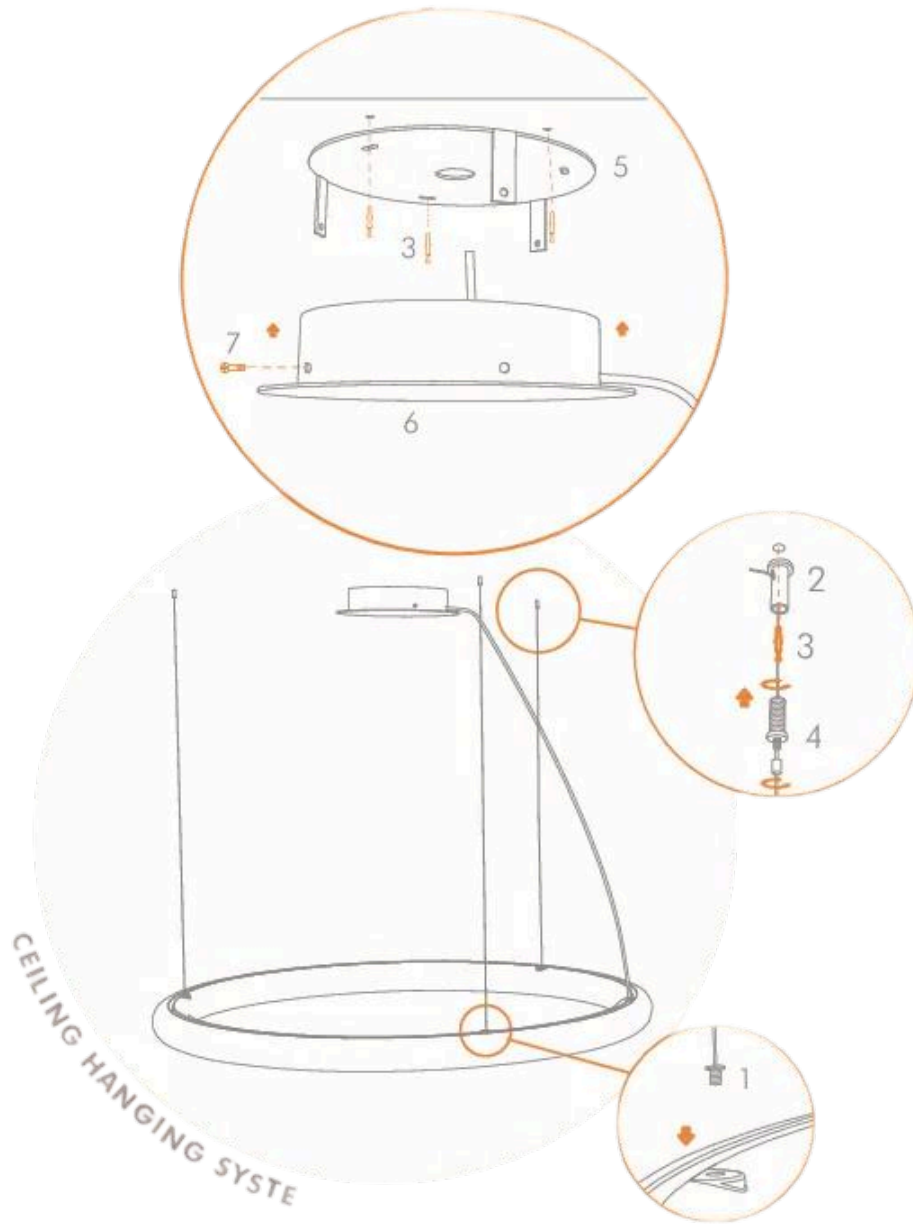
Class 2: appliance fitted with double insulation, without ground connection.



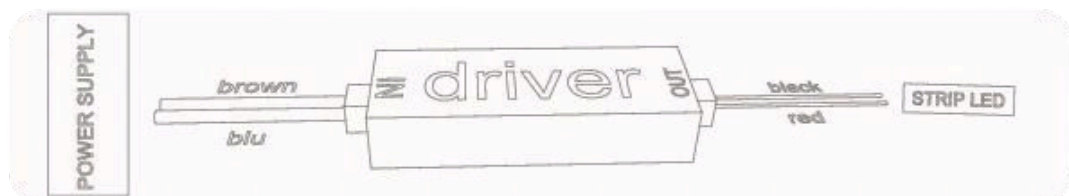
Appliance for indoor use only.

EN - TO PREVENT DUST AND DIRT FROM STICKING TO THE PLASTIC SURFACES, PERIODICALLY CLEAN THE PRODUCTS WITH A DAMP CLOTH AND NEUTRAL LIQUID SOAP DILUTED IN WATER.
AVOID USING ETHANOL OR ANY LIQUIDS CONTAINING ACETONE, TRICHLOROETHYLENE OR AMMONIA (SOLVENTS IN GENERAL). IT IS RECOMMENDED THE USE OF SLIDE'S "CLEANUP" CLEANER OR A DEGREASER. IN CASE OF PERSISTENT STAINS, USE A SCRUB ERASER (MELAMINE FOAM - SCOTCH-BRITE EASY ERASER OR SIMILAR) OR WITH HOT WATER PRESSURE WASHER.
SPRAY THE CLEANING PRODUCT ON THE SURFACE, RUB WITH A DAMP CLOTH AND RINSE ABUNDANTLY WITH WATER.
LACQUERED VERSION: PERIODICALLY CLEAN WITH A POLISH CLEANER, GENTLY RUBBING WITH SOFT CLOTH/COTTON WOOL.
CUSHIONS CAN BE CLEANED WITH A DAMP CLOTH, NEUTRAL LIQUID SOAP AND WATER.
FOR METAL PARTS USE SPECIFIC CLEANERS.





FIX THE STEEL CABLE WITH THE RIVET (1) ON THE PRODUCT. (X3)
 FIX THE CABLE STEEL ATTACHMENT (2) WITH THE RAWLPLUG (3) (NOT INCLUDED). ADJUST THE LENGTH OF THE CABLE WITH THE RIVET (4). (X3)
 FIX THE METAL BRACKET (5) TO THE CEILING USING THE RAWLPLUGS (3) (NOT INCLUDED)
 HIDE THE DRIVER INSIDE THE CAP (6) AND CONNECT IT TO THE POWER SUPPLY AND THE STRIP LED.
 LOCK THE SCREWS (7) TO THE SIDE OF THE CAP FOR FIXING THE CAP



P.3

sales@gordonbullard.com
www.bullardbollards.com
 1 877-964-4646



991 South Gull Lake Dr.
 Richland, MI 49083
 USA



IMPORTANT

To ensure equipment safety you must carefully follow the instructions below. This leaflet must be kept handy by personnel entrusted with all ordinary and extraordinary maintenance.

- Before any installation or maintenance operation on the bulb, make sure it is disconnected from power
- Fit the correct bulbs, according to the type and power indicated on the lamp data label.
- Make sure the lamp technical features are compatible with the use you are going to make of it.
- Should you have any doubt, refer to the dealer or ask an electrician.
- When connecting to the mains, follow the correct colour code for power cables: (N) blue, (L) brown or black and, only for class I equipment, (T) yellow/green.
- When lamps are to be fitted to the wall directly through their ceramic parts, fasten the fixing screws lightl, to avoid breaking the ceramic.
- To clean the lamp on the outside, use a soft cloth, possibly wet. Do not use solvents or abrasive products. No liquid must get in contact with the lamp interior parts.
- Do not touch the equipment with dirty hands.



= Class I equipment, must be connected to an earth terminal.



= Double insulated lamp, does not need earthing.



= Electrical equipment in class III, electrical safety guaranteed by low voltage tension, does not require grounding



= Minimum distance to be observed from all lit up objects.



= Replace immediately the safety glass, if damaged, with the original part.



= The lamp uses low pressure bulbs, and needs no protection glass.



= The equipment at the end of its life must be collected separately from other waste.