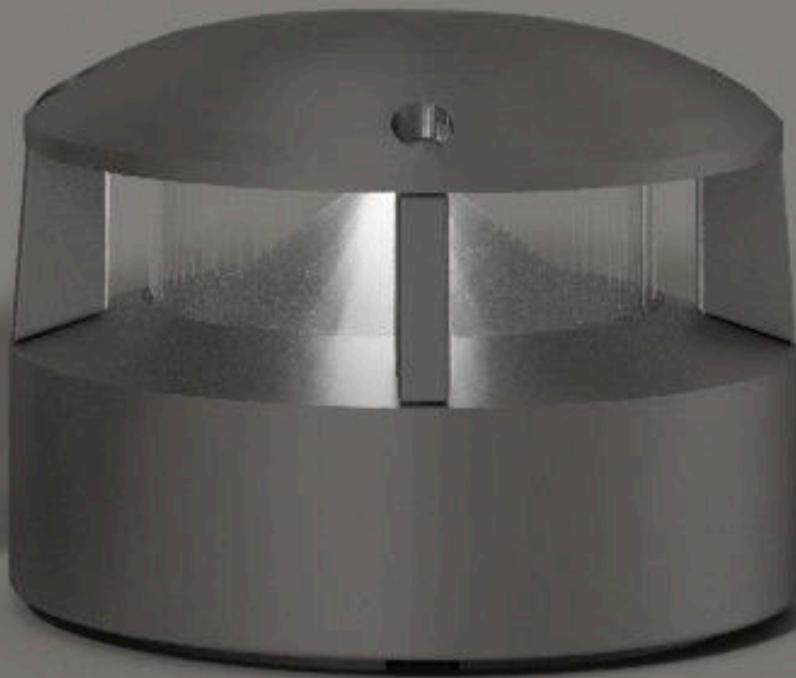




**BULLARD  
BOLLARDS**  
Think Bollard Think Bullard

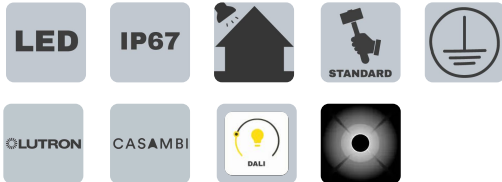
**ZACK D31**  
**(STANDARD GRADE)**





FIXTURE TYPE: \_\_\_\_\_

PROJECT NAME: \_\_\_\_\_



**GENERAL INFORMATION:**

The ZACK D31 by Bullard Bollards is a compact, vandal-resistant outdoor luminaire designed for architectural and landscape use, offering 360° radial light distribution with a sleek, low-profile form. Built from die-cast aluminum and UV-resistant polycarbonate, it features a 25W LED source with options for 3000K or 4000K color temperatures and a CRI over 80. With an IP67 rating, tamper-resistant stainless steel hardware, and optional accessories like color filters and darkening sectors, the ZACK D31 combines durability, efficiency, and design flexibility—ideal for pathways, gardens, and public spaces.

**FIXTURE TYPE:**

Bollard

**VOLTAGE:**

110-277M

**MATERIAL:**

Composite high resistance technopolymer fixing base. Corrosion resistant die-cast aluminum body.

**IP RATING:**

IP67

IP67

**CRI:**

80

**WARRANTY:**

LED lighting products are warranted for 5 years.

**DRIVER POSITION:**

Remote

**MAIN FEATURES:**

- High visual comfort
- Available in a wide range of finishes
- Functional and minimalistic design
- Shock-resistant construction

**THINK BOLLARD - THINK BULLARD**

sales@gordonbullard.com  
www.bullardbollards.com  
1-877-964-4646



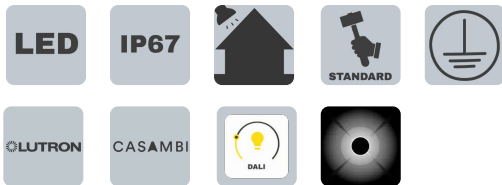
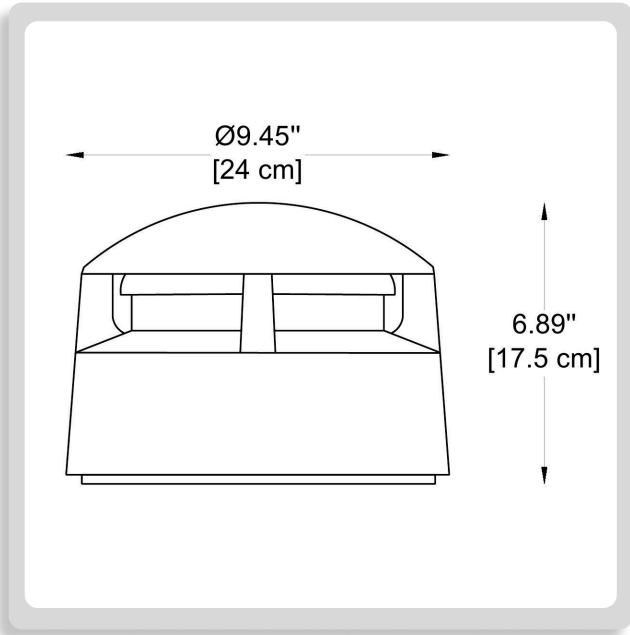
991 South Gull Lake Dr  
Richland, MI 49083  
USA



FIXTURE TYPE: \_\_\_\_\_

PROJECT NAME: \_\_\_\_\_

NOTES:



**HOW TO ORDER:**

**CODE:**

<b>Example:</b> <b>CODE: BB-D31-BL-30K-AG-DIM</b>	<b>BB-D31- BL-30K-AG- DIM</b>
--	---------------------------------------

**1 DIMENSIONS:**

A) Diameter - H: 9,45" (24 cm)  
 B) Height - Ø: 6,9" (17,5 cm)

**2 LIGHT SOURCE:**

LED / 25W / 110-277V

**3 CCT:**

**-30K** 3000K  
**-40K** 4000K

**4 FINISH OPTIONS:**

**-AG** Aluminium grey  
**-GS** Graphite satin

**5 OPTICAL SYSTEM:**

Unbreakable anti UV polycarbonate diffusers.  
 Beam - diffuse  
 4 emission

**6 DIMMING OPTIONS:**

**-NON** NON-Dimmable  
**-DIM** 0-10V  
**-CUS** Casambi  
**-LUT** Lutron  
**-DAL** DALI

**THINK BOLLARD - THINK BULLARD**

sales@gordonbullard.com  
 www.bullardbollards.com  
 1-877-964-4646



991 South Gull Lake Dr  
 Richland, MI 49083  
 USA