

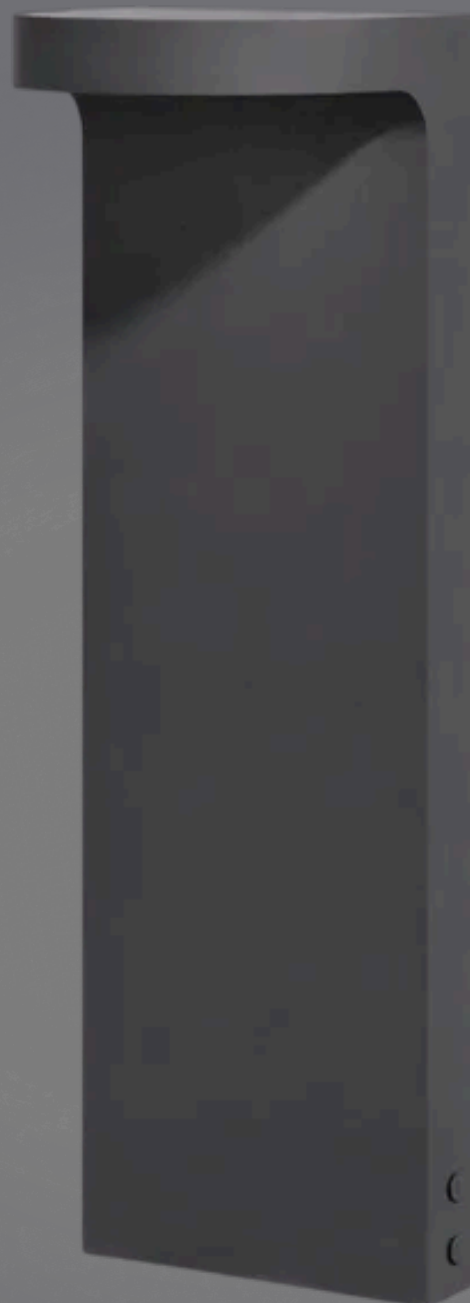


**BULLARD
BOLLARDS**
Think Bollard Think Bullard

INSTALLATION INSTRUCTION

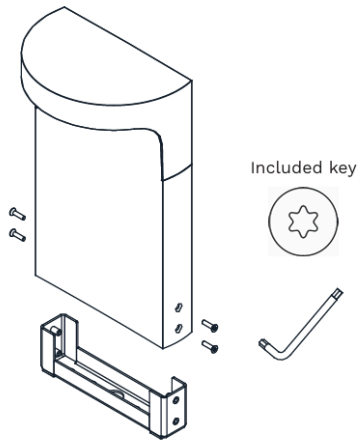
NAIL

INSTALLATION TYPE:
STANDARD GRADE



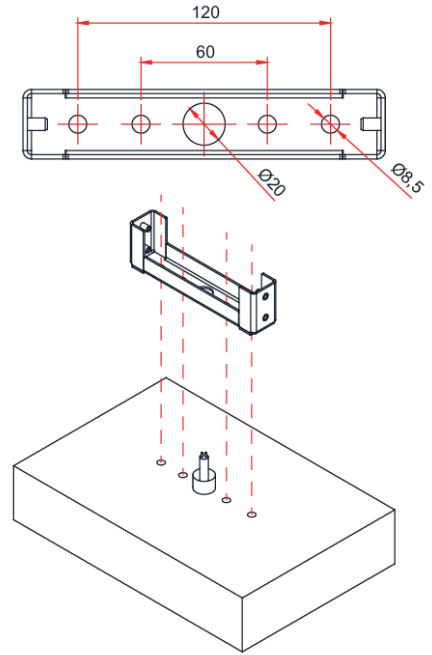


1



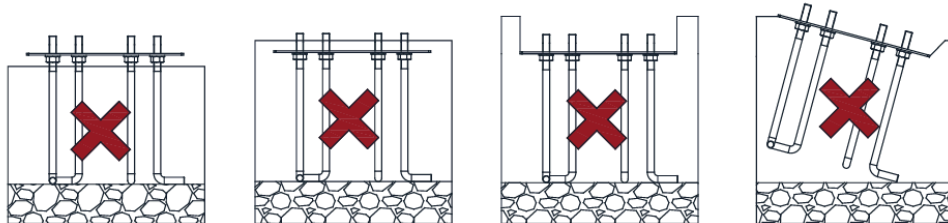
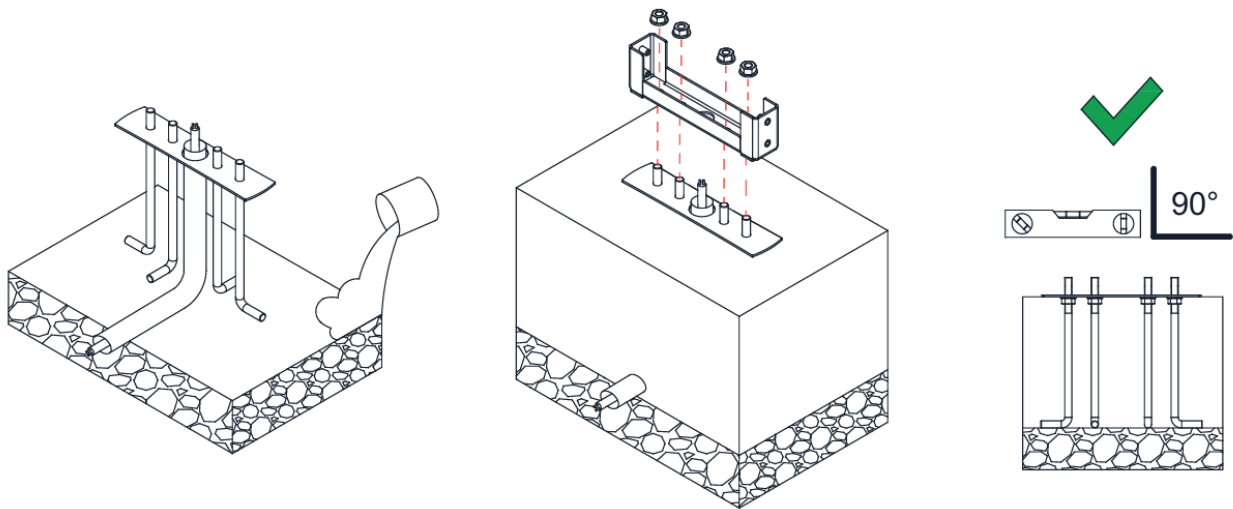
2 A

Floor mounting



2 B

Concrete mounting: accessory D74/TF required



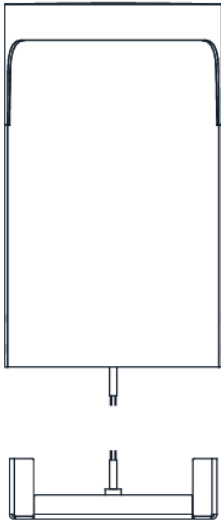
P.2

sales@gordonbullard.com
www.bullardbollards.com
1 877-964-4646



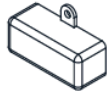
991 South Gull Lake Dr.
Richland, MI 49083
USA

3

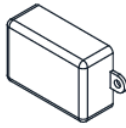


It's required an IP68 connector compatible with the product cable dimension : $\varnothing 5,2\text{mm } 2 \times 0,75\text{mm}^2$

Accessory AE/1540



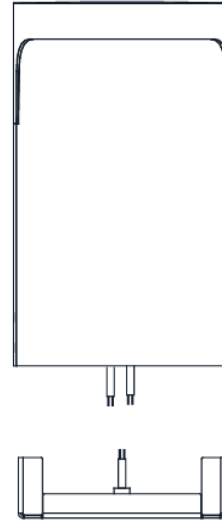
Accessory for looping AE/1539



External 24V power supply required for class III version.

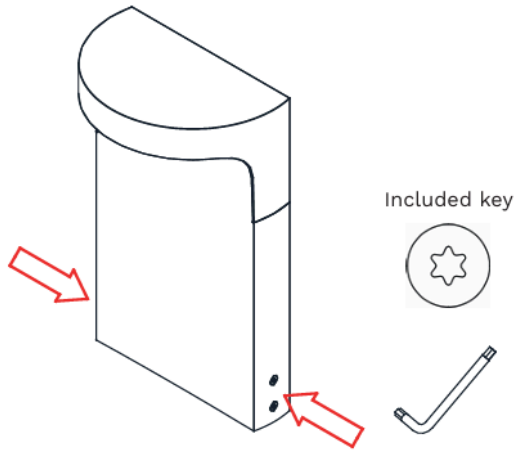
4

Wiring only for CL2 DALI version



It's required an IP68 connector compatible with the product cables dimension:
1 cable $\varnothing 6 \ 2 \times 1,25\text{mm}^2$
1 cable $\varnothing 8 \ 2 \times 1,5\text{mm}^2$

5





Caution, risk of electric shock.



ATTENTION
Switch-off the power supply before any installation and maintenance operations.



Replace any cracked shield.

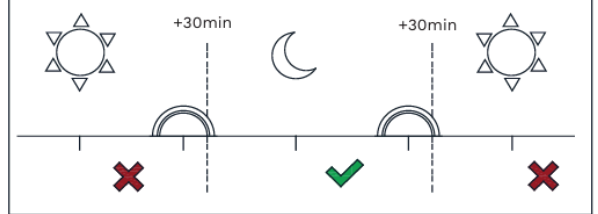
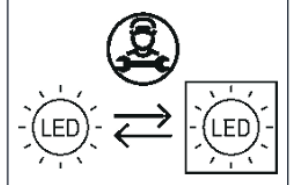
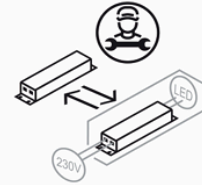


Disposing of as urban waste is forbidden, separate collection is mandatory when the product is at the end of its life.
RAEE n° IT08010000000166

WARNINGS

- These instructions must be read by the end users for correct installation and maintenance. The product must not be modified, it must be installed and used as supplied. Any modification will invalidate all forms of guarantee. The company cannot be held responsible for damage caused by incorrect assembly.
- In case of complaint please get in touch with our company, giving the number of your order and the serial number that recognizes the product.
- Clean frequently the glass and the outer surface of the fixture to avoid build up of mud and dirtiness. The product must not be in contact with aggressive chemical elements, such as fertilisers, herbicide or pesticide.
- Specifications are subject to change without notice.

Only for class II version.



Allowed product operation period:
from 30min after the sunset to 30min after the dawn.

