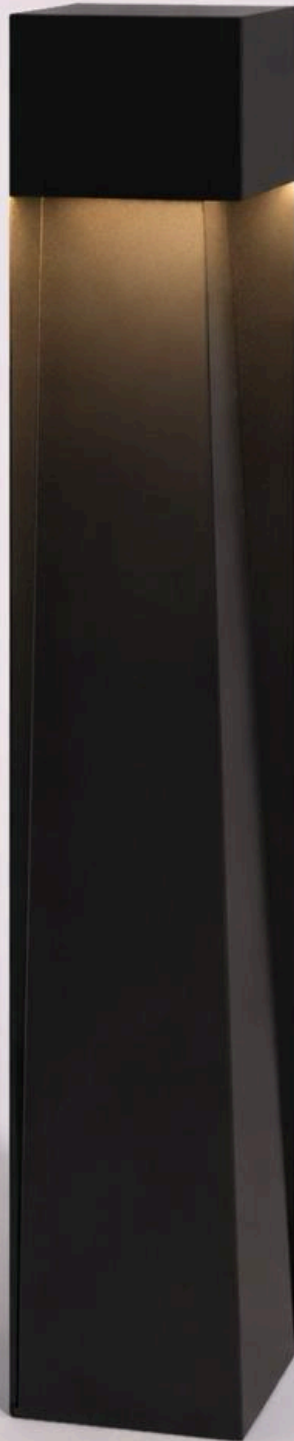




**BULLARD  
BOLLARDS**  
Think Bollard Think Bullard

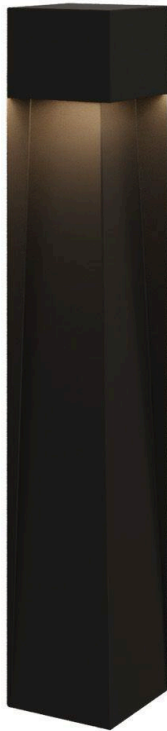
**SEQUOIA**  
BB-6182-GLC





FIXTURE TYPE: \_\_\_\_\_

PROJECT NAME: \_\_\_\_\_



**GENERAL INFORMATION:**

The Sequoia is a 27.56" bollard crafted from durable aluminum with an opal PC diffuser for soft, uniform lighting. It uses a 6W LED and offers CCT options of 3000K, 4000K, or 6000K. Rated IP65 and shock-resistant, it is built for outdoor performance in temperatures from -20°C to +35°C, with dimming options including 0-10V, Casambi, Lutron, and DALI. Available in matte black, dark grey, matt grey, and gray metal sand grain finishes.

**FIXTURE TYPE:**

Bollard

**VOLTAGE:**

110-277V



**MATERIAL:**

Aluminum

**COATING:**

Anti-corrosion and UV-proof powder coating

**REFLECTOR:**

Professional optical reflector

**IP RATING:**

IP 65



**DRIVER POSITION:**

Integral

**DIFFUSER:**

Opal PC

**WARRANTY:**

LED lighting products are warranted for 5 years

**APPLIANCE CLASS:**



**THINK BOLLARD - THINK BULLARD**

sales@gordonbullard.com  
www.bullardbollards.com  
1-877-964-4646



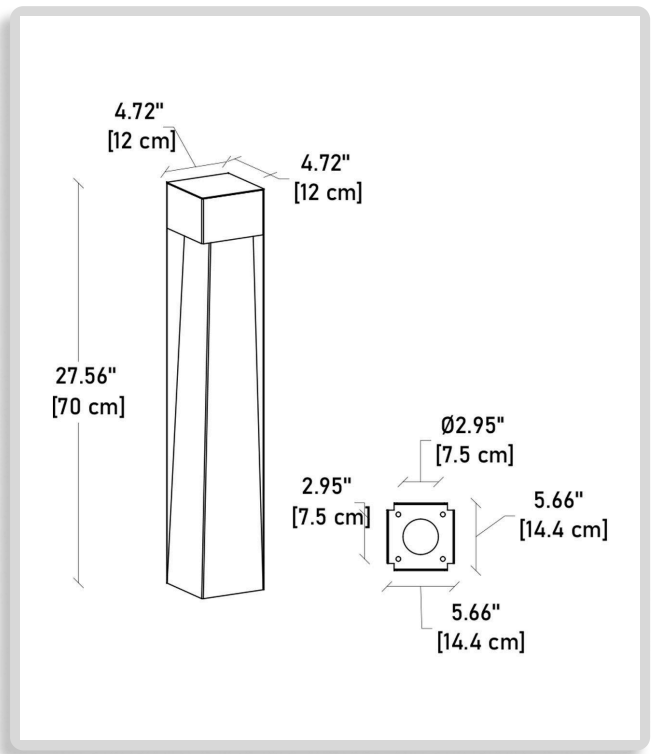
991 South Gull Lake Dr  
Richland, MI 49083  
USA



FIXTURE TYPE: \_\_\_\_\_

PROJECT NAME: \_\_\_\_\_

NOTES:




**HOW TO ORDER: \_\_\_\_\_ CODE: \_\_\_\_\_**

**Example:**  
**CODE: BB-6182-GLC-30K-DIM-MG** BB-6182-GLC-30K-DIM-MG

**1 DIMENSIONS:**

- A) Height - H: 27.56" (70 cm)
- B) Length - L: 4.72" (12 cm)
- C) Width - W: 4.72" (12 cm)

**2 LIGHT SOURCE:**

LED / 6W / 110-277V / CRI ≥80

**3 CCT:**

- 30K 3000K
- 40K 4000K
- 60K 6000K

**4 DIMMING OPTIONS:**

- NON NON-Dimmable
- DIM 0-10V
- CAS Casambi
- LUT Lutron
- DL DALI

**5 FINISH OPTIONS:**

- MB Matt Black
- DG Dark Grey
- MG Matt Grey
- GM-SG Gray Metal Sand Grain

**THINK BOLLARD - THINK BULLARD**

sales@gordonbullard.com  
 www.bullardbollards.com  
 1-877-964-4646



991 South Gull Lake Dr  
 Richland, MI 49083  
 USA