



**BULLARD
BOLLARDS**
Think Bollard Think Bullard

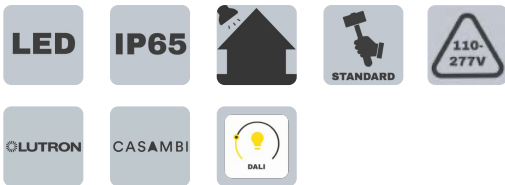
THE WASAT
BB-WST-BL





FIXTURE TYPE: _____

PROJECT NAME: _____



GENERAL INFORMATION:

The Wasat Bollard Lights from Bullard Bollards are designed to blend style and durability, providing efficient outdoor illumination seamlessly. Crafted from die-cast aluminum, these bollards are available in two sizes: 19.29" (49 cm) and 35.03" (89 cm). Both sizes operate on a voltage range of 110-277V and feature energy-efficient LED technology. With an IP65 rating, they are well-suited for various weather conditions. Finish options include Sanded Black, Dark Grey, and Silver Grey, allowing for customization to complement diverse architectural styles. Additionally, the Wasat Double Bollard is available, standing at a height of 36.02" (91.5 cm) and offering the same finish options.

FIXTURE TYPE:

Bollard

VOLTAGE:

110-277V



MATERIAL:

Die-casting powder coated aluminum.

IP RATING:

IP65



LENS:

PMMA

WARRANTY:

LED lighting products are warranted for 5 years.

MAIN FEATURES:

- High visual comfort
- Available in a wide range of finishes
- Functional and minimalistic design
- Shock-resistant construction
- Operating Temperature: -104°F to +140°F.

LIGHTING DISTRIBUTIONS:

105°

THINK BOLLARD - THINK BULLARD

sales@gordonbullard.com
www.bullardbollards.com
1-877-964-4646



991 South Gull Lake Dr
Richland, MI 49083
USA



FIXTURE TYPE: _____

PROJECT NAME: _____

HOW TO ORDER:

CODE:

Example:
CODE:
BB-WST-BL-L-K30-DIM-SB-JC3001

BB-WST-BL-L-
K30-DIM-SB-
JC3001

1 MODELS:

-S

- A) Height - H: 19.29" (49 cm)
- B) Diameter head- Ø: 7.09" (18 cm)
- C) Length - L: 9.65" (24.5 cm)
- D) Diameter base - Ø: 5.12" (13 cm)

LIGHT SOURCE:

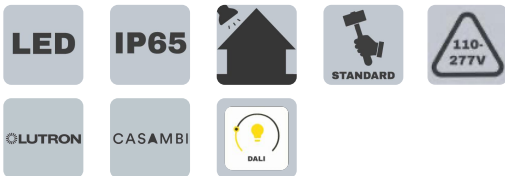
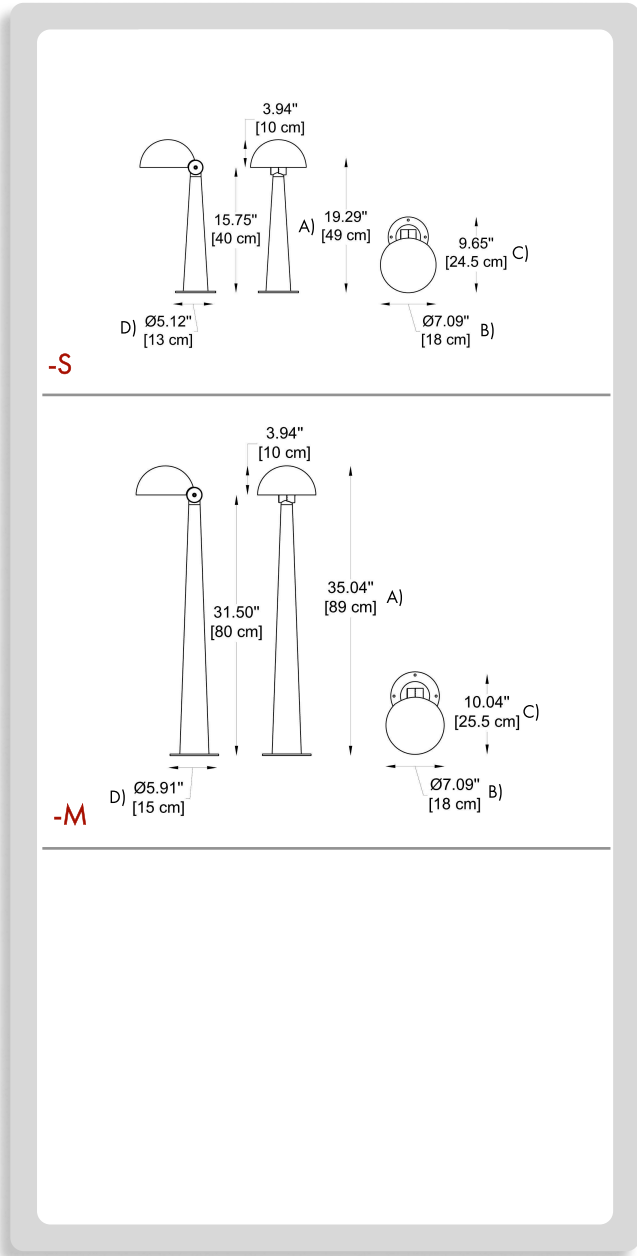
LED / 18.5W / 90 mA / 2054 lm / 80 CRI / 110-277V

-M

- A) Height - H: 35.04" (89 cm)
- B) Diameter head- Ø: 7.09" (18 cm)
- C) Length - L: 10.04" (25.5 cm)
- D) Diameter base - Ø: 5.91" (15 cm)

LIGHT SOURCE:

LED / 19.5W / 90 mA / 2054 lm / 80 CRI / 110-277V



THINK BOLLARD - THINK BULLARD

sales@gordonbullard.com
www.bullardbollards.com
1-877-964-4646



991 South Gull Lake Dr
Richland, MI 49083
USA



FIXTURE TYPE: _____

PROJECT NAME: _____

HOW TO ORDER:

CODE:

Example:
CODE:
BB-WST-BL-L-K30-DIM-SB-JC3001

BB-WST-BL-L-
K30-DIM-SB-
JC3001

2 CCT:

- K30 3000K
- K40 4000K

3 DIMMING OPTIONS:

- NON NON-Dimmable
- DIM 0-10V
- CAS Casambi
- LUT Lutron
- DAL Dali

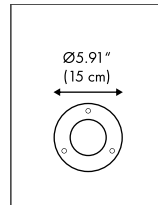
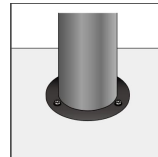
4 FINISH OPTIONS:

- SB Sanded Black (RAL 9005) ●
- DG Sanded Dark Grey (Kap 7037) ●
- LSG Sanded Bronze (KAP 7008) ●
- CUS Custom on request* ●

5 INSTALLATION BASE:

Flange Base (included)

Ø: 5.91" (15 cm)

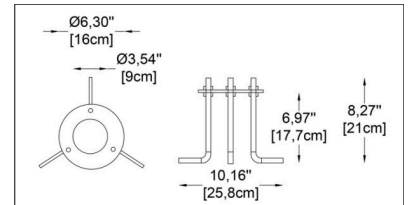


Inground Base (option)

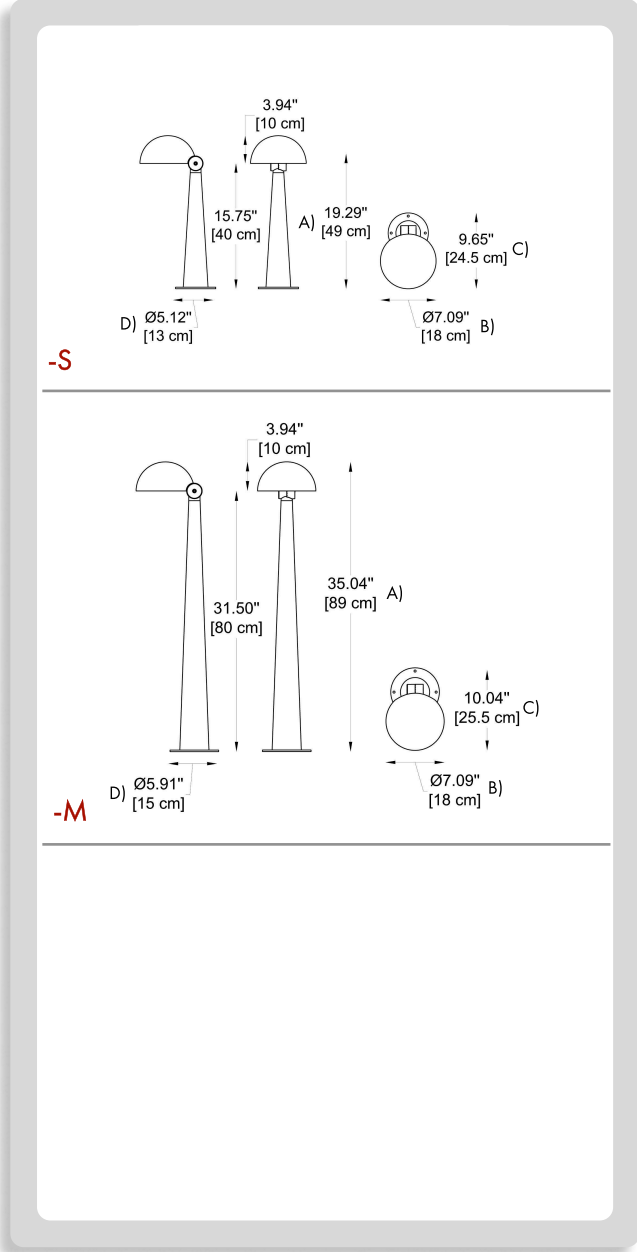
Code: **-JC3001**



- L: 10.16" (25.8 cm)
- H: 8.27" (21 cm)
- Ø 1: 6.30" (16 cm)
- Ø 2: 3.54" (9 cm)



*Flange base is a basic part you need to assemble the landing base.



THINK BOLLARD - THINK BULLARD

sales@gordonbullard.com
www.bullardbollards.com
1-877-964-4646



991 South Gull Lake Dr
Richland, MI 49083
USA

FIXTURE TYPE: _____

PROJECT NAME: _____

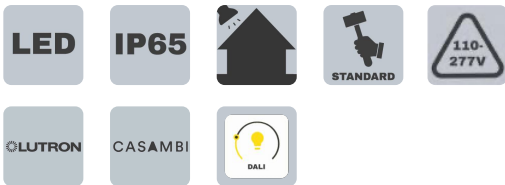
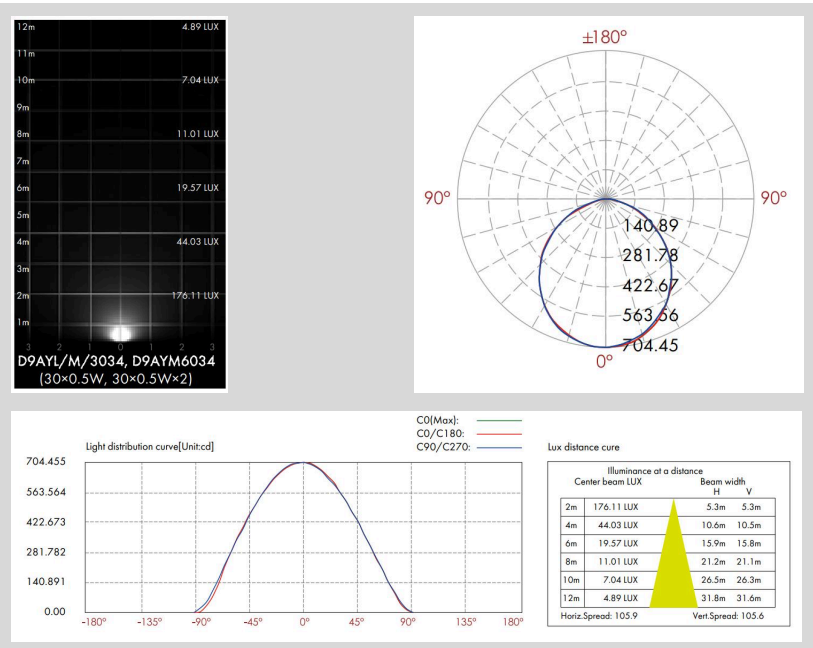
HOW TO ORDER:

CODE:

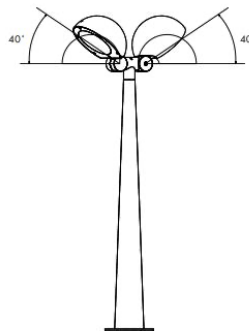
Example:
CODE:
BB-WST-BL-L-K30-DIM-SB-JC3001

BB-WST-BL-L-
K30-DIM-SB-
JC3001

PHOTOMETRICS:



ADJUSTABLE BEAM DIRECTION:



THINK BOLLARD - THINK BULLARD

sales@gordonbullard.com
www.bullardbollards.com
1-877-964-4646



991 South Gull Lake Dr
Richland, MI 49083
USA