



**BULLARD  
BOLLARDS**  
Think Bollard Think Bullard

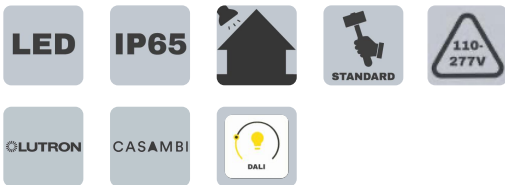
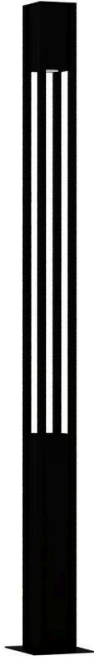
**TANGO BOLLARD**  
BB-TNG-BL





FIXTURE TYPE: \_\_\_\_\_

PROJECT NAME: \_\_\_\_\_



**GENERAL INFORMATION:**

The Tango Bollard from Bullard Bollards are contemporary light columns designed to provide powerful outdoor LED illumination for general and area lighting. Constructed from durable aluminum with a powder-coated finish, these bollards are available in Black, Grey, and customizable RAL colors to seamlessly integrate into various architectural styles. Offers four different color temperature options, as well as an RGBW option, allowing for tailored lighting solutions to suit specific environments.

Durable Construction: Features stainless steel hardware and an impact-resistant, UV-stabilized acrylic lens, ensuring longevity and stability in outdoor settings. For detailed specifications and to explore the full range of bollard lighting solutions, visit Bullard Bollards' official website.

**FIXTURE TYPE:**

Bollard

**VOLTAGE:**

110-277V



**MATERIAL:**

Stainless Steel / Aluminum

**IP RATING:**

IP65



**LENS:**

PC

**WARRANTY:**

LED lighting products are warranted for 5 years.

**MAIN FEATURES:**

- High visual comfort
- Available in a wide range of finishes
- Functional and minimalistic design
- Shock-resistant construction
- Operating Temperature: -104°F to +140°F.

**LIGHTING DISTRIBUTIONS:**

36°

**THINK BOLLARD - THINK BULLARD**

sales@gordonbullard.com  
www.bullardbollards.com  
1-877-964-4646

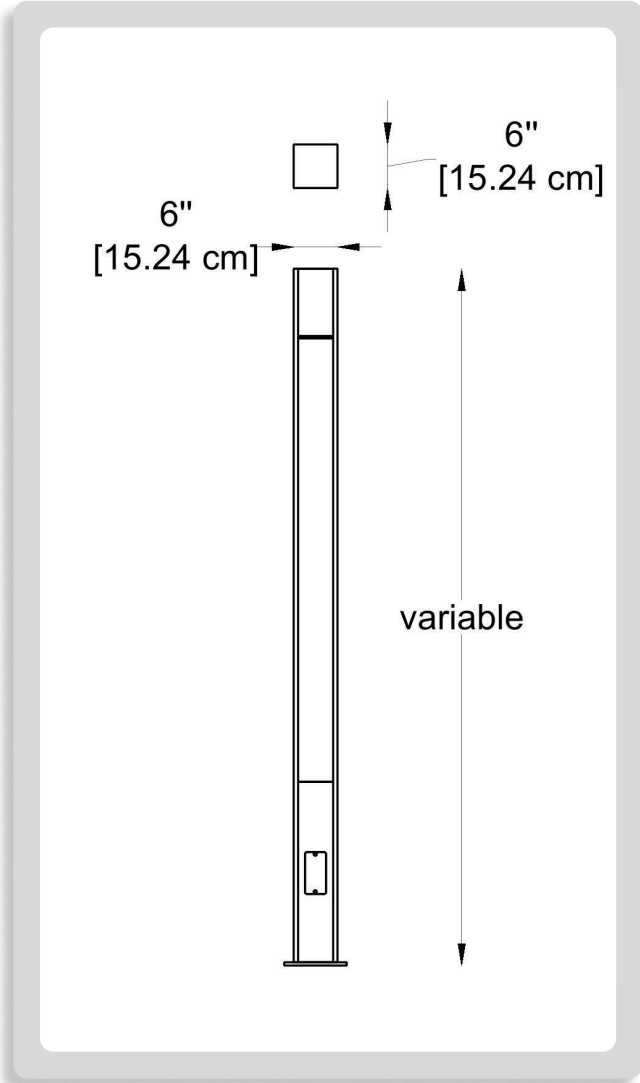


991 South Gull Lake Dr  
Richland, MI 49083  
USA



FIXTURE TYPE: \_\_\_\_\_

PROJECT NAME: \_\_\_\_\_



**HOW TO ORDER:**

**CODE:**

Example:

CODE: BB-TNG-BL-BH1-BW1-SH1-SS-K27-GR-DIM-LSB2

BB-TNG-BL-BH1-  
BW1-SH1-SS-K27-  
GR-DIM-LSB2

**1** BODY HEIGHT:

- BH1 H: 24" (61 cm)
- BH2 H: 36" (91 cm)
- BH3 H: 48" (122 cm)

**2** BODY WIDTH:

- BW1 W: 6" (15 cm)
- BW2 W: 8" (20 cm)
- BW3 W: 10" (25 cm)
- BW4 W: 12" (30 cm)
- BWC CUS\*

**3** BASE HEIGHT:

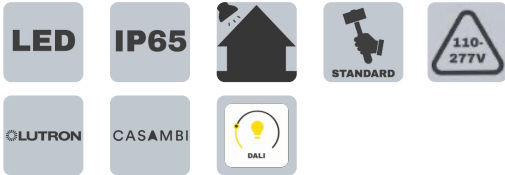
- SH1 H: 4" (10 cm)
- SH2 H: 6" (15 cm)
- SH3 H: 8" (20 cm)

**4** BODY MATERIAL:

- SS Stainless Steel
- AL Aluminum

**5** CCT:

- K27 2700K
- K30 3000K
- K35 3500K
- K40 4000K
- RGBW RGWB



**THINK BOLLARD - THINK BULLARD**

sales@gordonbullard.com  
www.bullardbollards.com  
1-877-964-4646

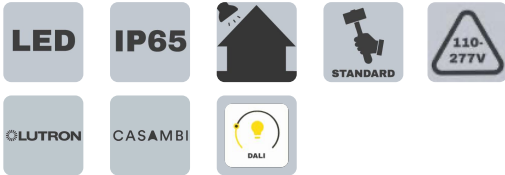
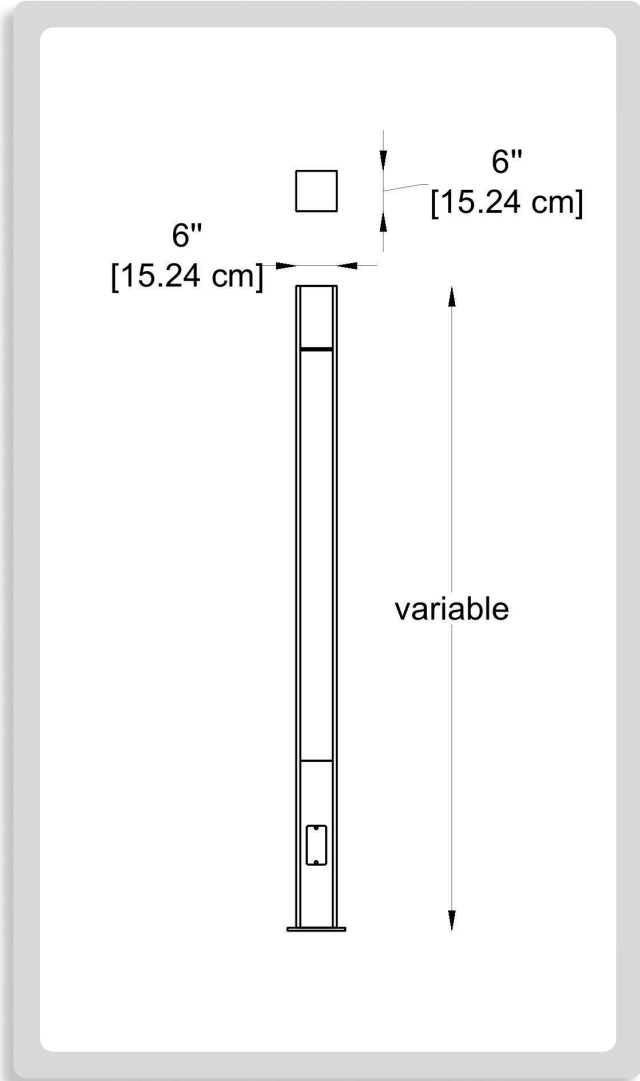


991 South Gull Lake Dr  
Richland, MI 49083  
USA



FIXTURE TYPE: \_\_\_\_\_

PROJECT NAME: \_\_\_\_\_



**HOW TO ORDER:**

**CODE:**

**Example:**

**CODE:** BB-TNG-BL-BH1-BW1-SH1-SS-K27-GR-DIM-LSB2

BB-TNG-BL-BH1-BW1-SH1-SS-K27-GR-DIM-LSB2

**6**

**BODY FINISH OPTIONS:**

Stainless powder coated standard colors:

- WH White
- GR Green
- CO Corten
- GR Grey
- BL Black

Matt:

**-M316** 316 Stainless steel with a #4 swirl brushed stainless surface finish

Custom:

**-CUS** Custom on request\*

**7**

**DIMMING OPTIONS:**

- NON NON-Dimmable
- DIM 0-10V
- CAS Casambi
- LUT Lutron
- DAL Dali

**8**

**LIGHT SOURCE OUTPUT BOLLARD:**

- LSB2 2 W / 110 lm
- LSB3 3 W / 200 lm
- LSB5 5 W / 294 lm
- LSB6 6 W / 396 lm
- LSB9 9 W / 580 lm
- LSB10 10 W / 590 lm
- LSB15 15 W / 880 lm
- LSBC Custom Lumen packages on request\*

**THINK BOLLARD - THINK BULLARD**

sales@gordonbullard.com  
www.bullardbollards.com  
1-877-964-4646



991 South Gull Lake Dr  
Richland, MI 49083  
USA