



**BULLARD
BOLLARDS**
Think Bollard Think Bullard

SENTINEL
(STANDARD GRADE)



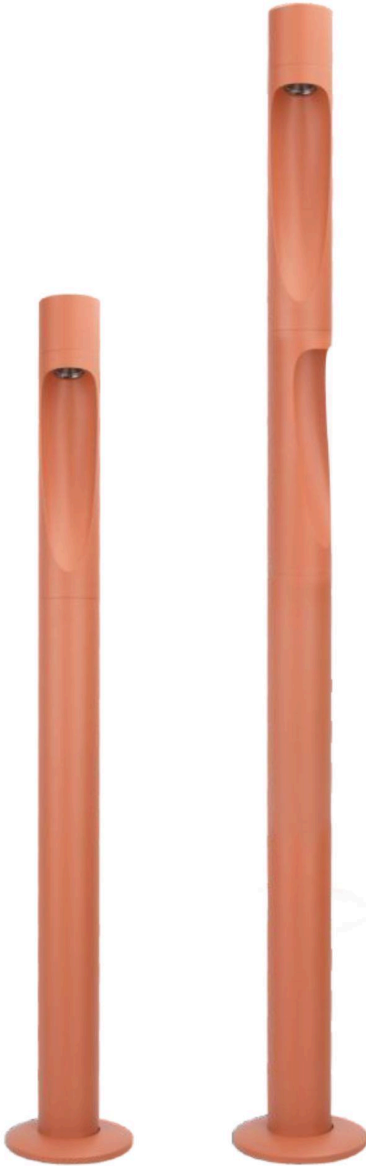


**BULLARD
BOLLARDS**
Think Bullard Think Bullard

**CODE:
BB-SL-BL**

FIXTURE TYPE: _____

PROJECT NAME: _____



GENERAL INFORMATION:

The Sentinel Bollards feature a sleek cylindrical design with light grooves that create a unique, heart-shaped projection on the ground, adding elegance to parks, commercial areas, and courtyards. Crafted from CNC aluminum and finished with durable Aksu outdoor paint, these fixtures offer customizable shell colors. With advanced LED chips, a high-efficiency PMMA optic lens, and anti-glare properties, they ensure vivid, reliable lighting. Available in two models (Single Head at 27.55" and Twin Head at 35.45"), the bollards support multiple dimming methods including Triac, PWM, 1-10V, and DALI. CCT options range from 3000K to 6000K with beam angles of 24°, 36°, or 45°, and CRI choices of 80 or 90.

FIXTURE TYPE:

Bollard

LIGHTING:

LED

LED

VOLTAGE:

110-277V



MATERIAL:

Aluminum + PMMA lens

IP:

IP 65

IP65



THINK BOLLARD - THINK BULLARD

sales@gordonbullard.com

www.bullardbollards.com

1-877-964-4646



991 South Gull Lake Dr

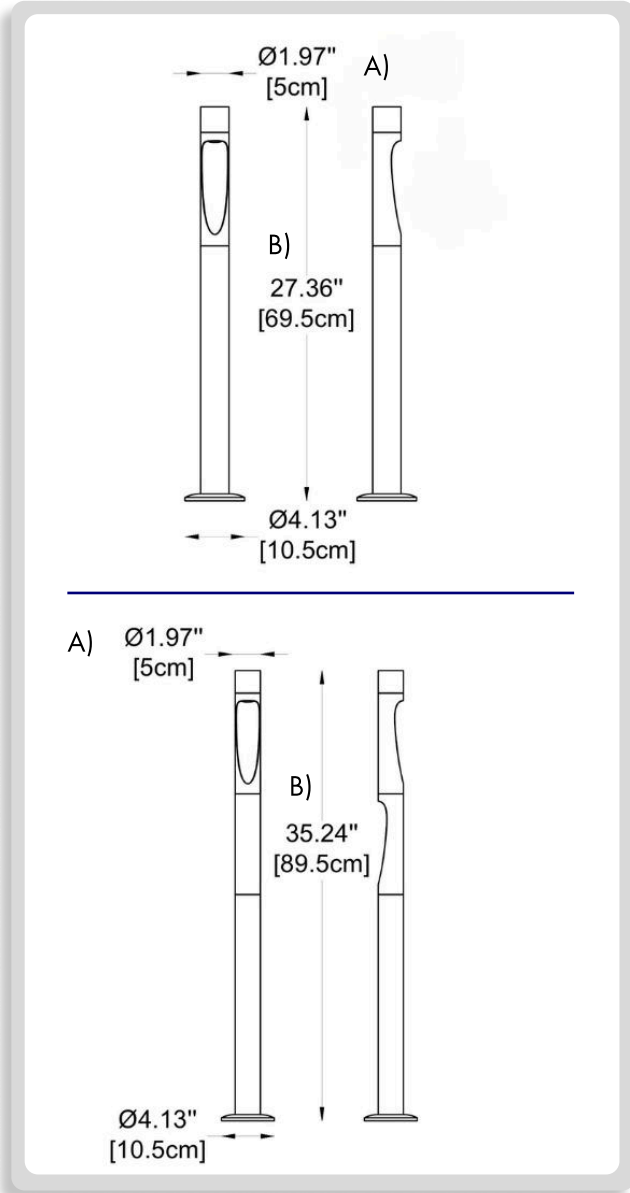
Richland, MI 49083

USA



FIXTURE TYPE: _____

PROJECT NAME: _____



HOW TO ORDER:

CODE:

Example:
CODE: BB-SL-BL-1-W5-B24-K30-C90-CUS

BB-SL-BL-1-W5-B24-K30-C90-CUS

1 MODEL:

-1 (single head)

DIMENSIONS:

A) Diameter - Ø: 1.97" (5 cm)
B) Height - H: 27.36" (69.5 cm)

-2 (twin head)

DIMENSIONS:

A) Diameter - Ø: 1.97" (5 cm)
B) Height - H: 35.24" (89.5 cm)

2 LIGHT SOURCE:

-W5 LED / 5W / 325 lm *for single head**
-W10 LED / 2x5W / 550 lm *for twin head**

3 BEAM ANGLE:

-B24 24°
-B36 36°
-B45 45°

4 CCT:

-K30 3000K
-K40 4000K
-K50 5000K
-K60 6000K

5 CRI:

-C80 CRI 80
-C90 CRI 90

6 FINISH OPTIONS:

-WH White
-BL Black
-CUS Custom on request*

THINK BOLLARD - THINK BULLARD

sales@gordonbullard.com
www.bullardbollards.com
1-877-964-4646



991 South Gull Lake Dr
Richland, MI 49083
USA

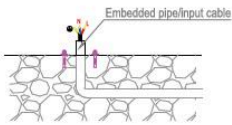


FIXTURE TYPE: _____

PROJECT NAME: _____

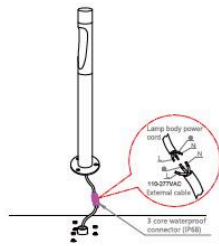
INSTALLATION INSTRUCTIONS:

1)



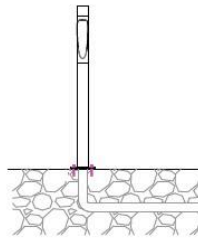
Drill the hole and install the expansion bolts.

2)



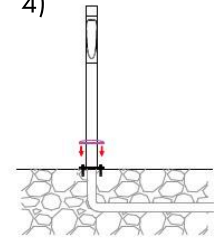
Connect the power supply cable to the lamp with a waterproof (IP68) connector and install the mounting base in.

3)



Install the lamps.

4)



Pull down the cover onto the mounting base.

THINK BOLLARD - THINK BULLARD

sales@gordonbullard.com
www.bullardbollards.com
1-877-964-4646



991 South Gull Lake Dr
Richland, MI 49083
USA