



**BULLARD  
BOLLARDS**  
Think Bollard Think Bullard

# INSTALLATION INSTRUCTION

# FARO FLAT

INSTALLATION TYPE:  
SPOT

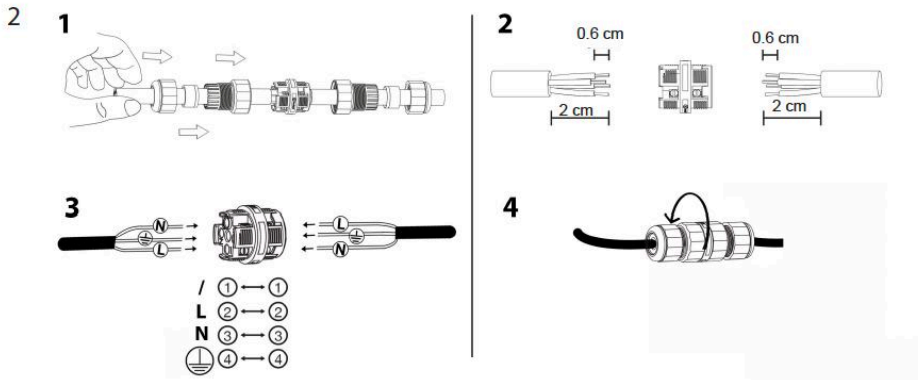


01/27/2026

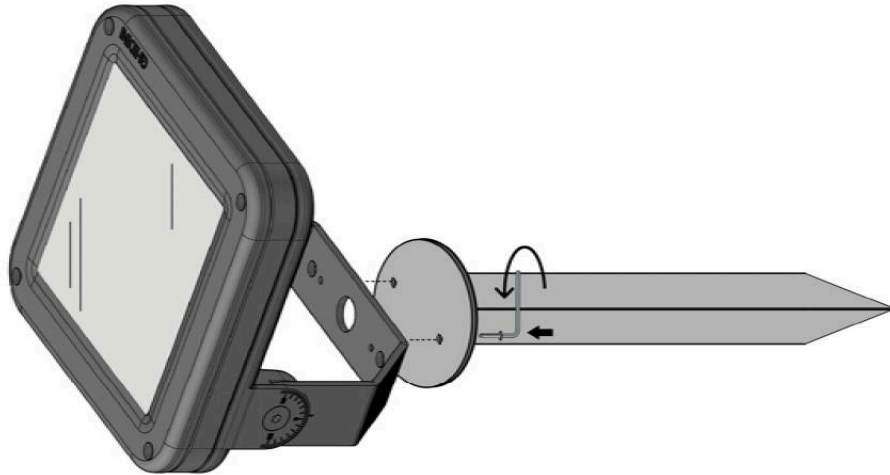
Floodlights  
 Assembling instruction  
 For technical information refer to the label on the device



1



*Nylon stake mounting*



**WARNING:**

THE SAFETY OF THIS FIXTURE IS GUARANTEED ONLY IF YOU COMPLY WITH THESE INSTRUCTIONS; REMEMBER TO KEEP IN A SAFE PLACE. THE APPLIANCE MUST NOT BE TAMPERED WITH OR TRANSFORMED AND IT MUST BE INSTALLED AND USED AS SUPPLIED AND IN COMPLIANCE WITH THE NATIONAL RULES ON INSTALLATIONS. SWITCH-OFF THE POWER SUPPLY BEFORE CARRYING OUT ANY MAINTENANCE OPERATIONS. HOT PLUG-IN IS NOT ALLOWED AND MAY CAUSE DAMAGE TO THE LUMINAIRE. THE LIGHT SOURCE CONTAINED IN THIS LUMINAIRE SHALL BE REPLACED ONLY BY THE MANUFACTURER OR HIS SERVICE AGENT. INSTALLATION AND SERVICE MUST BE PERFORMED BY QUALIFIED SERVICE PERSONNEL. ANY NON-COMPLIANT INSTALLATIONS WILL INVALIDATE ALL FORMS OF GUARANTEE.

**IMPORTANT**

- To ensure equipment safety you must carefully follow the instructions below. This leaflet must be kept handy by personnel entrusted with all ordinary and extraordinary maintenance.
- Before any installation or maintenance operation on the bulb, make sure it is disconnected from power.
- Fit the correct bulbs, according to the type and power indicated on the lamp data label.
- Make sure the lamp technical features are compatible with the use you are going to make of it.
- Should you have any doubt, refer to the dealer or ask an electrician.
- When connecting to the mains, follow the correct colour code for power cables: (N) blue, (L) brown or black and, only for class I equipment, (T) yellow/green.
- When lamps are to be fitted to the wall directly through their ceramic parts, fasten the fixing screws lightly, to avoid breaking the ceramic.
- To clean the lamp on the outside, use a soft cloth, possibly wet. Do not use solvents or abrasive products. No liquid must get in contact with the lamp interior parts.
- Do not touch the equipment with dirty hands.



= Class I equipment, must be connected to an earth terminal.



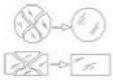
= Double insulated lamp, does not need earthing.



= Electrical equipment in class III, electrical safety guaranteed by low voltage tension, does not require grounding



= Minimum distance to be observed from all lit up objects.



= Replace immediately the safety glass, if damaged, with the original part.



= The lamp uses low pressure bulbs, and needs no protection glass.