



**BULLARD
BOLLARDS**
Think Bollard Think Bullard

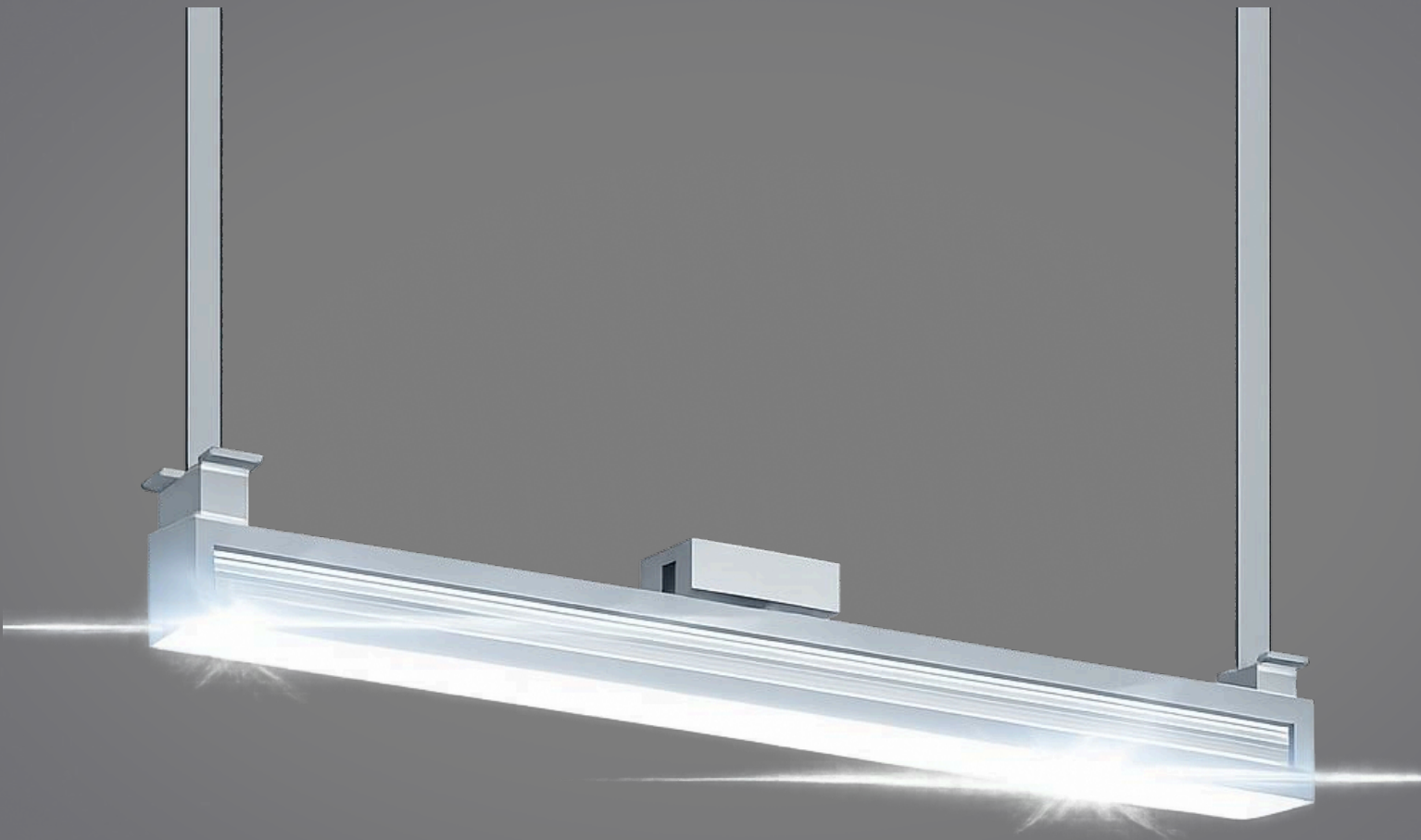
INSTALLATION INSTRUCTION

SLEVO

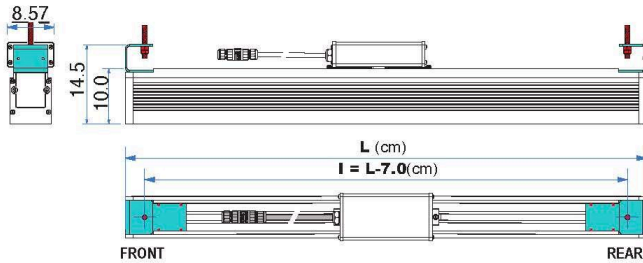
INSTALLATION TYPE:
PENDANTS

LED

IP54



02/23/2026



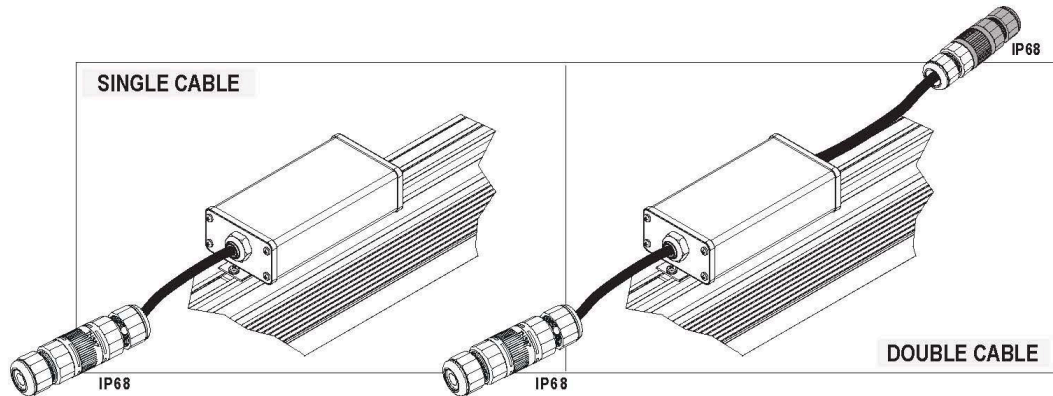
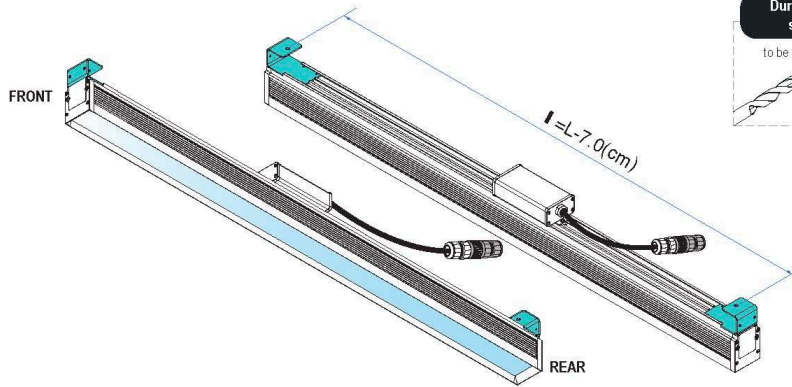
Features and meaning of the symbols shown on the label:

According to EN 60598-1, EN 60598-2-1

- IP54 satisfactory operation in dust conditions and splash-proof from any direction
- Class I SIMPLE INSULATION: earth required
- disposing of as urban waste is forbidden, separate collection is mandatory when the product is at the end of its life

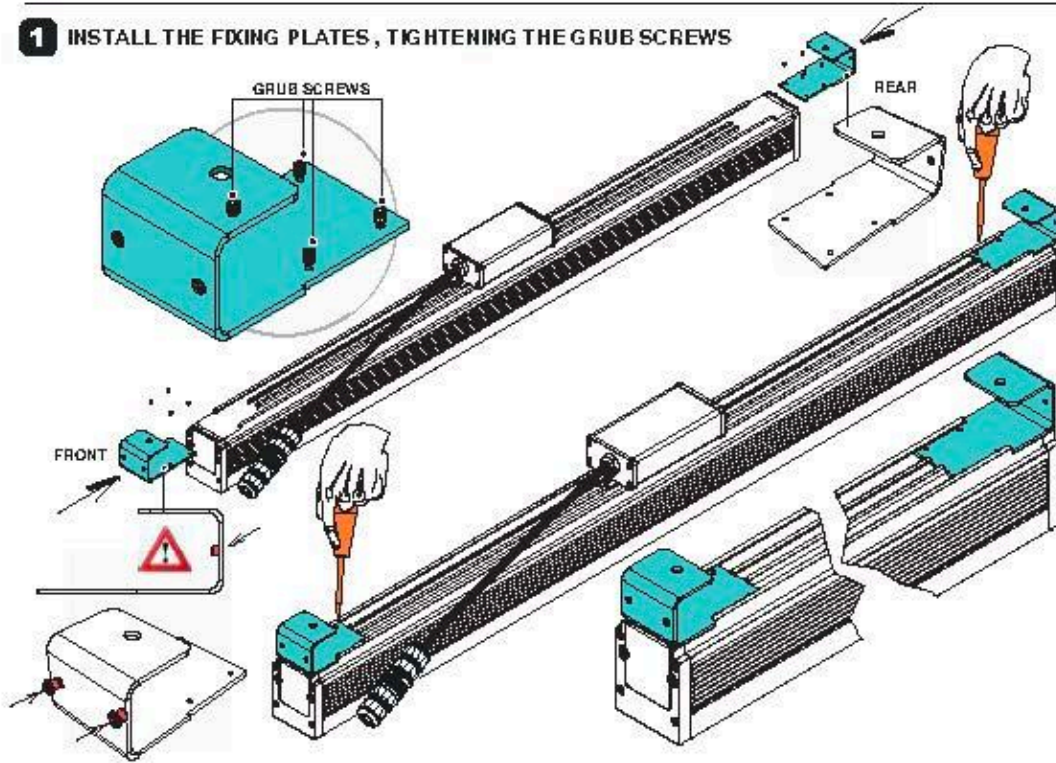
ATTENTION
Switch-off the power supply before any installation and maintenance operations

During the installation use proper screws suitable for the considered support to be performed by the installer

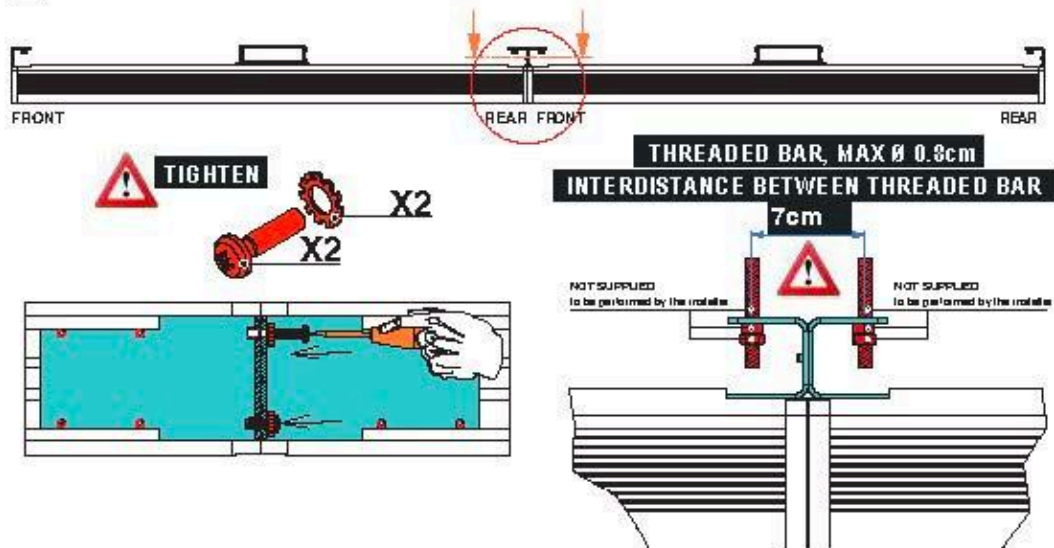


LED engine	L (cm)	I (cm)	WIRING
4 led engine	115.6	108.6	DOUBLE CABLE
8 led engine	227.6	220.6	SINGLE CABLE
8 led engine	227.6	220.6	DOUBLE CABLE

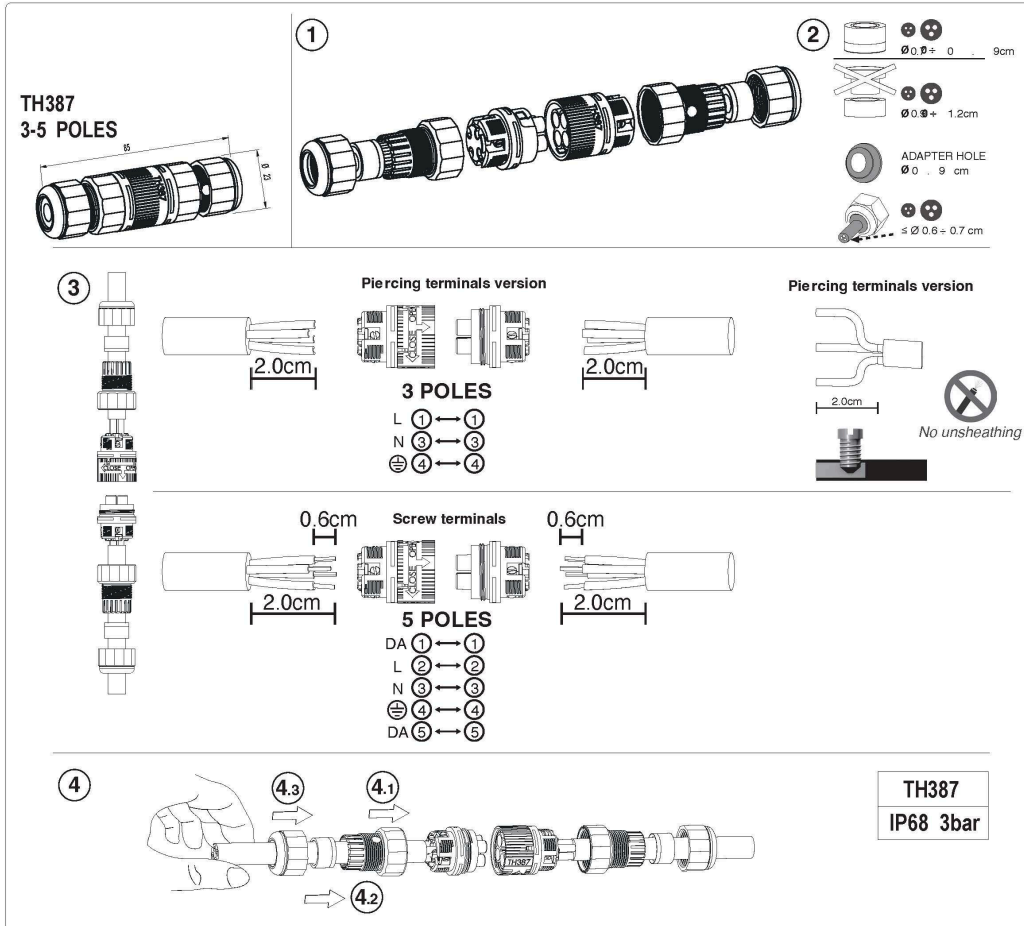
1 INSTALL THE FIXING PLATES, TIGHTENING THE GRUB SCREWS



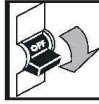
2 PLACE THE LIGHTING MODULES AS SHOWN BELOW (FRONT-REAR).



3 WIRING - Single module

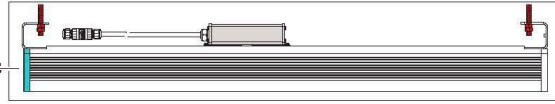


MAINTENANCE

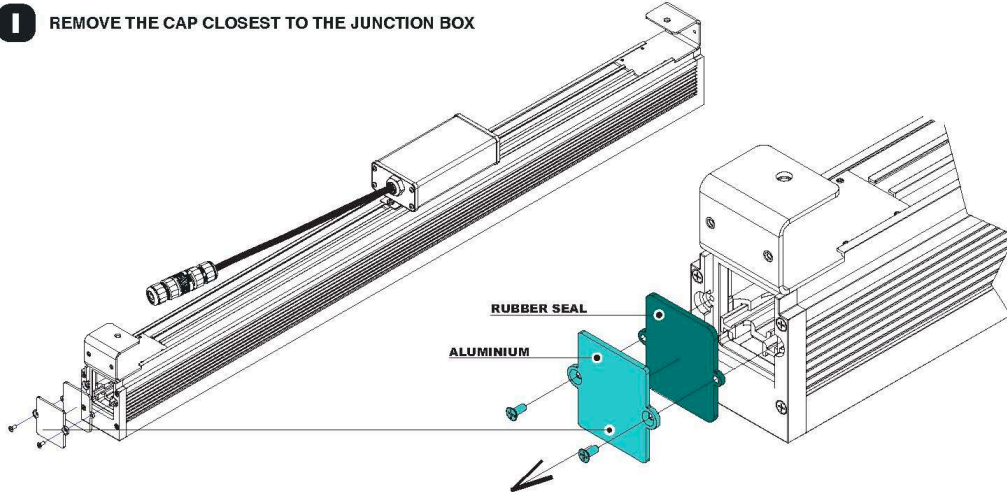


ATTENTION

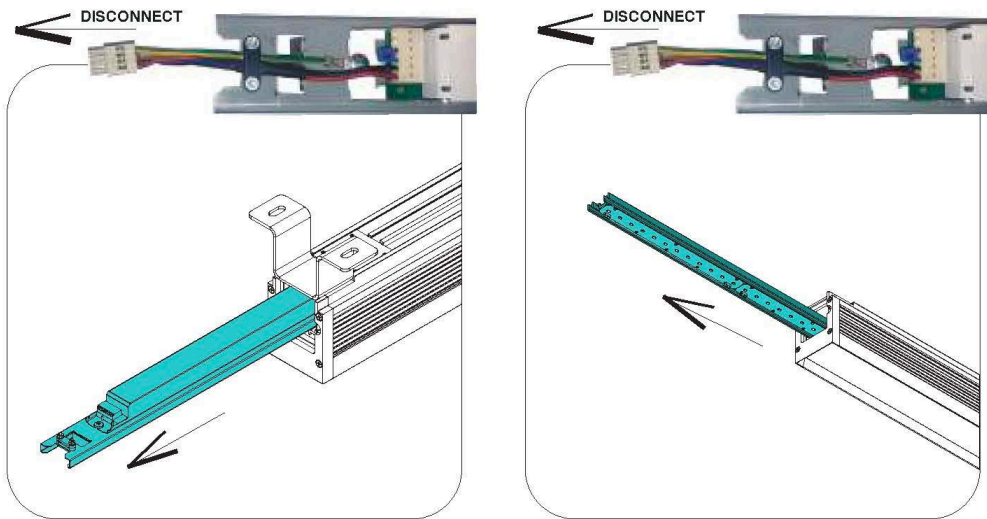
Switch-off the power supply before any installation and maintenance operations



I REMOVE THE CAP CLOSEST TO THE JUNCTION BOX



II REMOVE AND DISCONNECT THE TERMINAL BLOCK. THEN PERFORM THE NEEDED MAINTENANCE



III REMOUNT THE CAP

IMPORTANT

- To ensure equipment safety you must carefully follow the instructions below. This leaflet must be kept handy by personnel entrusted with all ordinary and extraordinary maintenance.
- Before any installation or maintenance operation on the bulb, make sure it is disconnected from power.
- Fit the correct bulbs, according to the type and power indicated on the lamp data label.
- Make sure the lamp technical features are compatible with the use you are going to make of it.
- Should you have any doubt, refer to the dealer or ask an electrician.
- When connecting to the mains, follow the correct colour code for power cables: (N) blue, (L) brown or black and, only for class I equipment, (T) yellow/green.
- When lamps are to be fitted to the wall directly through their ceramic parts, fasten the fixing screws lightly, to avoid breaking the ceramic.
- To clean the lamp on the outside, use a soft cloth, possibly wet. Do not use solvents or abrasive products. No liquid must get in contact with the lamp interior parts.
- Do not touch the equipment with dirty hands.



= Class I equipment, must be connected to an earth terminal.



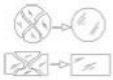
= Double insulated lamp, does not need earthing.



= Electrical equipment in class III, electrical safety guaranteed by low voltage tension, does not require grounding



= Minimum distance to be observed from all lit up objects.



= Replace immediately the safety glass, if damaged, with the original part.



= The lamp uses low pressure bulbs, and needs no protection glass.