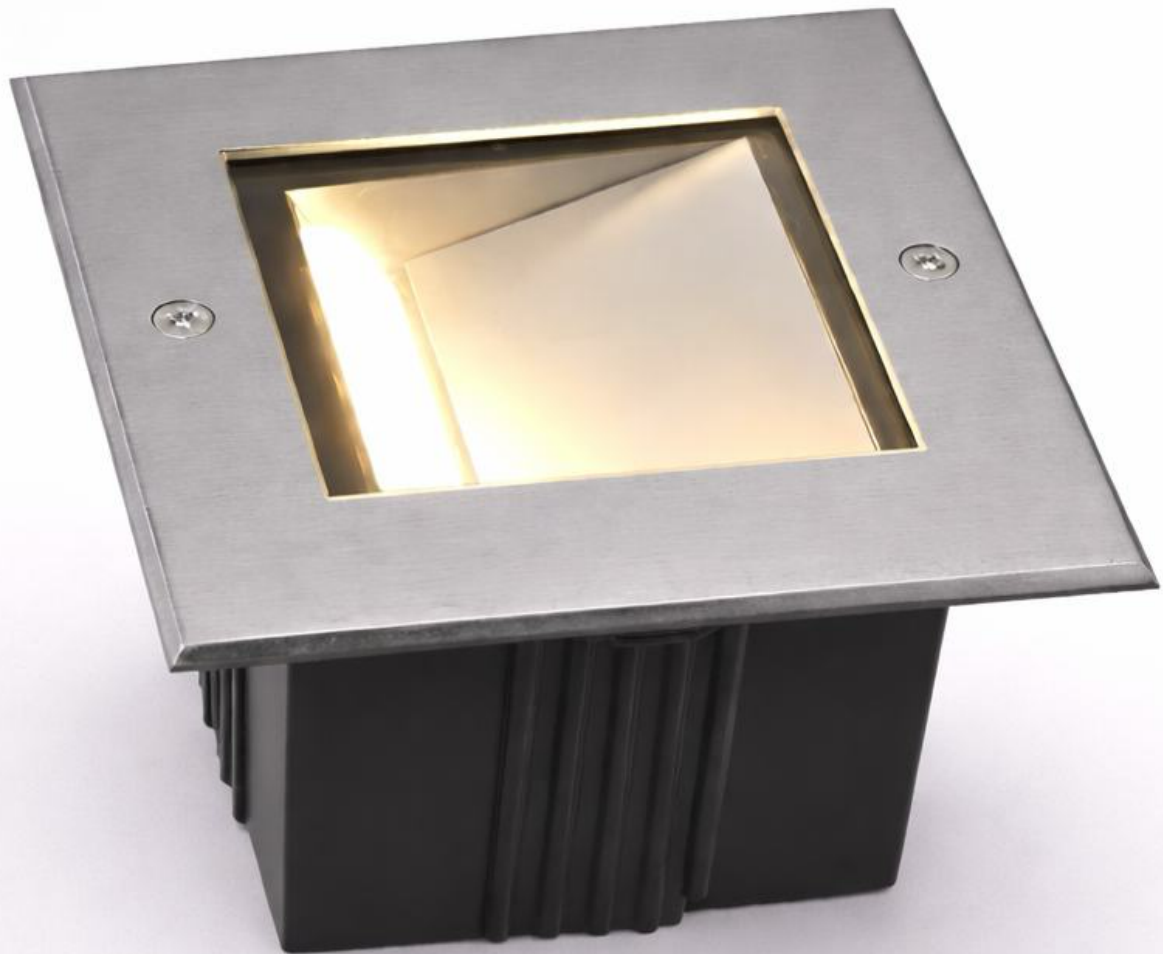




**BULLARD
BOLLARDS**
Think Bollard Think Bullard

VANDA

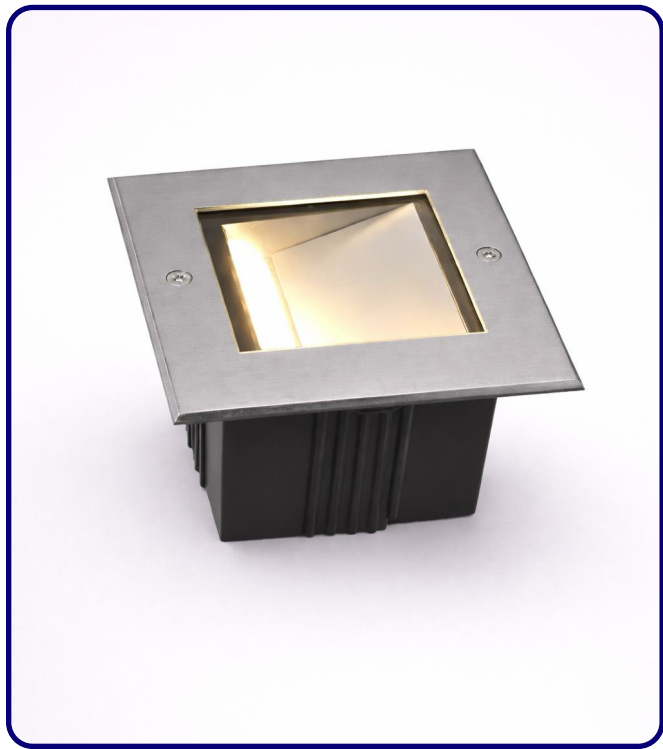
Inground Luminaire - Symmetrical Luminaires





FIXTURE TYPE: _____

PROJECT NAME: _____



GENERAL INFORMATION:

Vanda is inground LED light, crafted from robust die-casting aluminum with stainless steel finish options, ensures durability and style. With a selected degree of 80°×60° and an R5 reflector, Vanda delivers precise and uniform illumination for various outdoor applications. Customize your lighting experience with dimming options. With an IK rating of 09, Vanda guarantees durability and protection against impacts, making it an ideal choice for inground lighting needs.

FIXTURE TYPE:

Inground Luminaires - Symetrical Luminaires

LIGHTING:

LED **LED**

VOLTAGE:

110-277V

MATERIAL:

12# Die-casting dark grey powder coated aluminium

CRI:

80

IP RATING:

IP 67 **IP67**

IK RATING:

IK 09

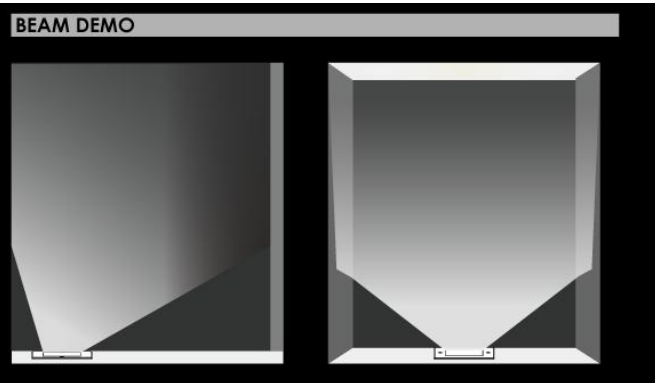
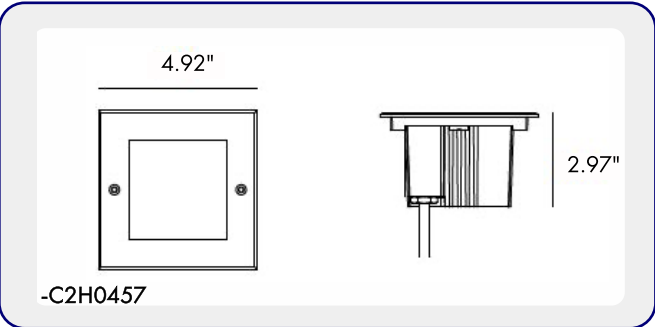




FIXTURE TYPE: _____

PROJECT NAME: _____

NOTES:



HOW TO ORDER:

CODE:

Example:
CODE: BB-VD-KPG-IL-XXX-XXX-XXX-XXX-XXX-XXX

BB-VD-KPG-IL-C2H0457-K30-DIM-A-

1 MODELS:

CODE -C2H0457

DIMENSIONS:

Width - W: 4.92" (12.5 cm)
Height - H: 2.97" (7.5 cm)

LIGHT SOURCE:

LED / 4 x 1.5W / 320 mA / 491 lm / IK 09 / 110-277V

2 CCT OPTIONS:

-K30
-CUS

3 OPTICS:

-C18-18 80°x 60°

4 DIMMING OPTIONS:

-DIM 1-10V
-PWM Pulse Width Modulation
-DALI DALI (Digital Addressable Lighting Interface)

5 WATER PROOF SOLUTION: (optional)

-A

A IP67 Jiffy quick plug/socket connector (Optional)
IP-67 connector is as an Optional assembly and ensures that water vapor will not enter into luminaires directly.



6 ACCESSORIES:

SLEEVE (INCLUDED)



sales@gordonbullard.com
www.bullardbollards.com
1-877-964-4646



991 South Gull Lake Dr
Richland, MI 49083
USA

